

HCD5HIHX

EQUIP® SERIES 1080p TDN H.264 NETWORK CAMERA

Honeywell's latest addition to the EQUIP® Series of IP-based products, the HCD5HIHX is a high definition, True Day/Night network camera that offers the latest in digital video surveillance. The HCD5HIHX provides 1080p (1920x1080) resolution at full frame rate. Progressive scan technology and 2D edge enhancement provide outstanding clarity and definition. Digital Noise Reduction results in significant storage savings without sacrificing image quality in low light. The 1/2.7" CMOS network camera combines world-class imaging and camera technology with our EQUIP Series IP networking technology, to provide streaming H.264 and MJPEG images at up to 30 fps (25 fps for PAL systems). The HCD5HIHX supports the PSIA specification for interoperability between network video products.

The HCD5HIHX day/night camera adapts to varying lighting conditions to ensure the highest picture quality even in extreme low light. When the light level drops too low for accurate video identification in colour, the camera moves the IR cut filter out of the optical path and then switches to black and white video to capture more detail using the increased sensitivity of the CMOS sensor to IR light.

Setup is quick and easy and can be customised through a web client or from an NVR. The web client also allows fine tuning of the camera and auto iris levels.

The HCD5HIHX supports dual video streams and multiple compression formats. The digital compression parameters for the two video streams are independently configurable. The HCD5HIHX features analogue video out for aiming and focusing.

The HCD5HIHX has built-in Power over Ethernet (IEEE 802.3af), which allows power to be supplied to the camera using standard network cabling, eliminating the need for a separate power supply and associated wiring. In retrofit situations where PoE switching does not exist, the unit can also be powered directly from 24 VAC.

Market Opportunities

The HCD5HIHX is a network surveillance solution designed for object recognition in locations where variable and low light conditions exist. This provides optimum performance for both indoor and outdoor applications.

Features

- Outstanding image quality, 1080p (1920 x 1080) resolution
- 30 fps (25 fps PAL) progressive scan
- H.264 and MJPEG compression
- PSIA support
- Camera tamper detection
- Variable day/night threshold setting to accommodate switching to black and white images in low light
- Dual digital video streams simultaneously, independently configurable
- Remote firmware update
- Supports both dynamic and static IP addresses
- Includes advanced IP locator software to make system setup easy
- Web server for remote setup of camera video and network parameters
- Choice of 24 VAC or PoE IEEE 802.3af power inputs
- Multiple levels of password protected remote access prevents unauthorised users from altering system settings
- Supports bidirectional audio

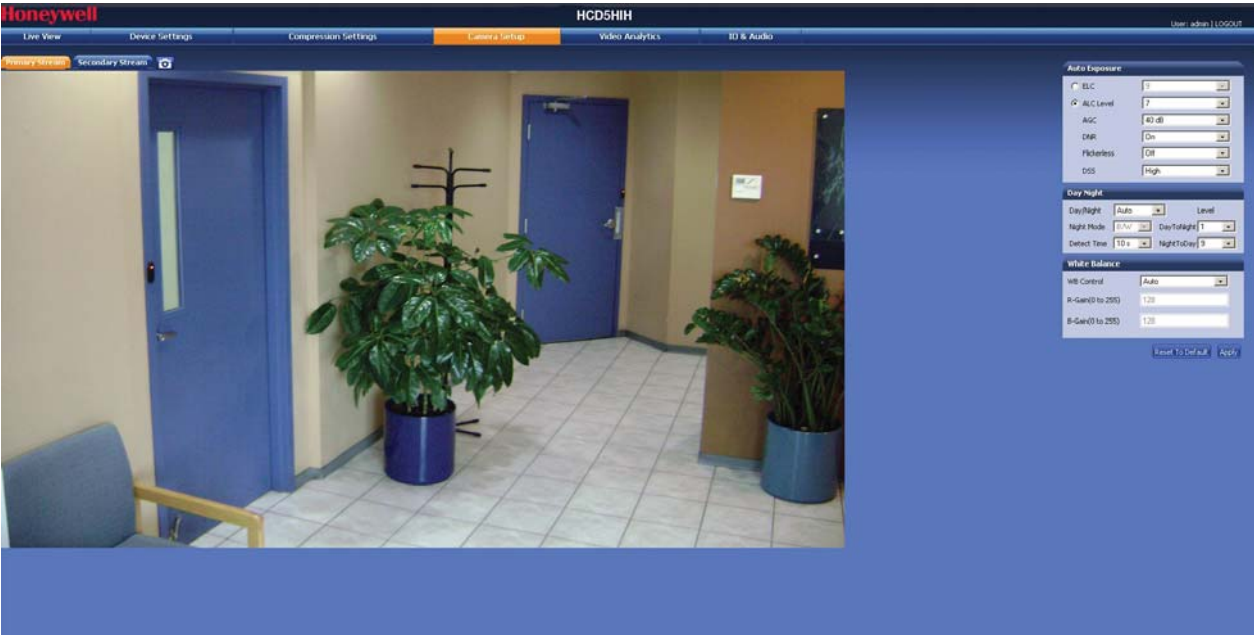


(lens sold separately)

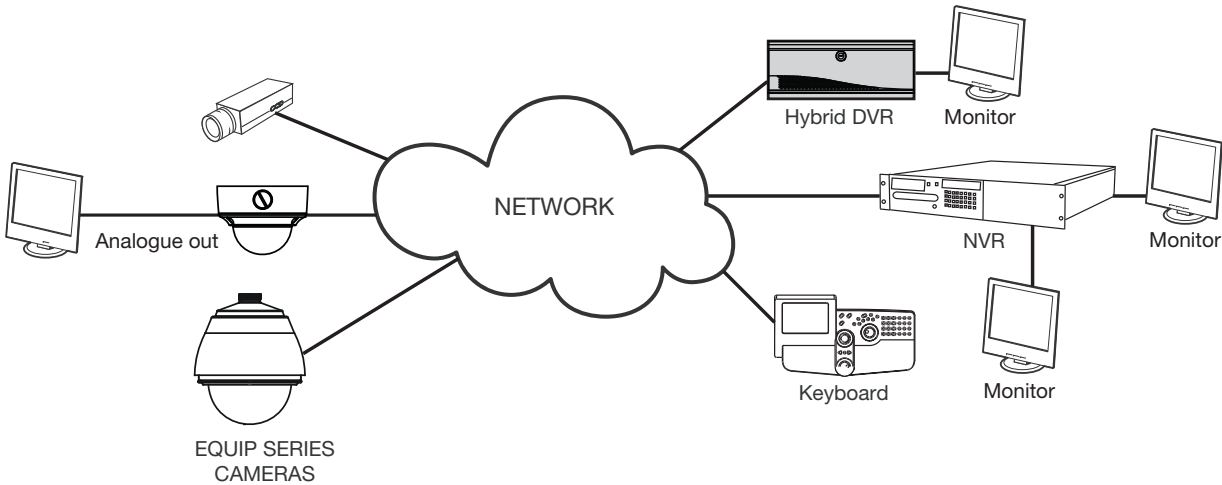
HCD5HIHX

SPECIFICATIONS

Like all cameras in the EQUIP IP Series, the HCD5HIHX network camera uses Honeywell technology for video motion detection, tamper detection, remote firmware updating and for secure storage of all camera settings. Camera tamper detection notifies the user when a camera's field of view is altered, blinded or blurred. This ensures the video's integrity and alerts the customer to either a live event or a system problem that is causing disruption to the video stream. Honeywell's technology also allows users to remotely upload firmware to the camera. Setup is quick and easy and can be customised through a web client or from an NVR. The built-in web server provides password protected access to the camera's video and network setup.



System Diagram



HCD5HIHX

SPECIFICATIONS

Operational	
Video Standard	NTSC, PAL
Scanning System	Progressive scan
Image Sensor	1/2.7" CMOS
Number of Pixels (H x V)	1920 x 1080
Minimum Illumination	0.18 lux color/0.15 lux BW @ 50 IRE, F1.2
Automatic Lens Control	DC Iris Level 1-25
Video Output (AUX)	1.0 Vp-p @ 75 Ohms
S/N Ratio	50 dB or more (AGC off)
Auto Gain Control	Off/On, selectable (20-40 dB)
Automatic Electronic Shutter	1/30 - 1/130,000 sec (NTSC) 1/30 - 1/130,000 sec (PAL)
White Balance	Auto, Manual, WBC Push
Audio/Two-Way	Line in/out
Electrical	
Input Voltage	24 VAC, PoE IEEE 802.3af
Input Range	17-28 VAC
Surge Suppression	1.5 kW transient
Power Consumption	5.0 W (max) 24 VAC PoE: PD Type 1 Class 2
Mechanical	
Dimensions (W x H x D)	See Diagram
Weight	0.5 kg camera only
Construction	Housing: Aluminium Finish: Cool Grey Powder Coat
Camera Mount	1/4-20 UNC mounting ring
Connector	Video Output: BNC connector Lens: 4 pin connector Power Input: Removable screw block Network: RJ45 connector Alarm I/O: Removable screw block Audio In: 3.5 mm mono phone jack Audio Out: 3.5 mm mono phone jack

Environmental			
Temperature	Operating: -10°C to 50°C Storage: -20°C to 60°C		
Relative Humidity	0% to 85%, non-condensing		
IP Specifications			
Video Compression	Dual stream H.264 and MJPEG		
Primary Stream Resolution	Bitrate H.264 (Typical)*	Frame Rate	Storage/Day (GB)
1920 x 1080	3.0 Mbps	30/25	31.6
1280 x 720	1.4 Mbps	30/25	14.8
800 x 450	0.75 Mbps	30/25	7.91
640 x 360	0.4 Mbps	30/25	4.22
320 x 180	0.2 Mbps	30/25	2.11
Frame Rate NTSC/PAL	Up to 30/25 fps video in all resolutions		
Video Streaming	Dual streaming: H.264 and MJPEG Controllable frame rate and bandwidth Constant or variable bit rate		
Security	Multiple user access levels with password protection		
Video Access from Web Browser	Full control of all camera settings available to administrator		
Minimum Web Browsing Requirements	Pentium IV CPU 3.1 GHz or faster 2 GB RAM Windows XP®, Windows 7 (32/64), Windows 2K8 (64) Internet Explorer 6, 7, 8 or 9		
Installation and Management Maintenance	Honeywell IP Utility software identifies the IP address, discovers cameras, supports firmware upgrades		
Supported Protocols	HTTP, TCP, RTSP, RTP, UDP, ARP, DNS, RTCP, FTP, ICMP, DHCP, Bonjour, IGMP, Telnet		
Standards	PSIA support		
Regulatory			
Emissions	FCC, CE (EN55022)		
Immunity	CE (50130-4)		
Safety	EU: EN60950-1:2006		

*Actual bitrate is scene and motion dependent with H.264 stream.

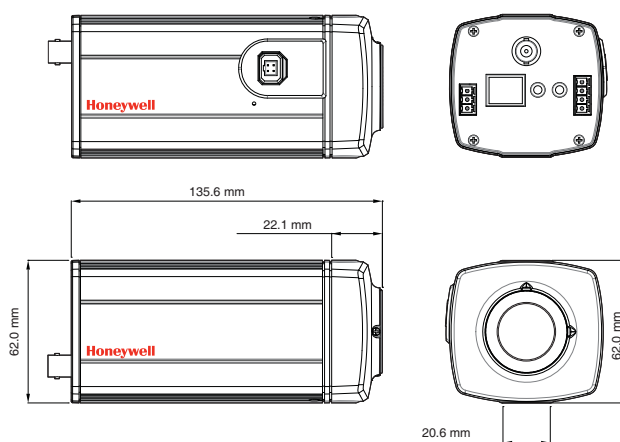
HCD5HIHX

SPECIFICATIONS

System Integration
Open IP Integration
PSIA support and open API for real interoperability between Honeywell and other manufacturers' IP-enabled security devices. Refer to the Honeywell Open Technology Alliance [http://www.honeywell.com/security/hota] to learn more about our open and integrated solutions.

Accessories	
Housing and Mounts	
HBC5WT	Wall/ceiling mount bracket
Recommended Lenses	
HLM45V13MPD	4.5-13.2mm High definition megapixel lens

NOTES:
Only a high definition megapixel lens should be used with the HCD5HIHX camera.



Ordering	
HCD5HIHX	Network True Day/Night, 1/2.7" Progressive Scan, CMOS, 1080p Resolution Camera, 24 VAC or PoE IEEE 802.3af, H.264, PAL

NOTE: Honeywell reserves the right, without notification, to make changes in product design or specifications.

For additional information,
please visit www.honeywell.com/security/uk

Honeywell Security Group

Aston Fields Road
Whitehouse Industrial Estate
Runcorn
Cheshire
WA7 3DL
Tel: 08448 000 235
www.honeywell.com

HVS-HCD5HIH-01-UK(0112)DS-E
January 2012
© 2012 Honeywell International Inc.

Honeywell