

## HBC5WT

### INDOOR CAMERA MOUNTING BRACKET

Honeywell's HBC5WT indoor camera mounting bracket is designed with style and functionality where ceiling or wall mounting is required. It is an ideal solution for the vast majority of indoor applications. Quick and easy to install, the camera mounting bracket is designed to accommodate most video camera/lens combinations.

The HBC5WT features a 3-axis rotation that allows easy positioning of cameras. These light duty mounts are available in off-white and can accommodate loads up to 3.5 kg. They are constructed of high impact ABS plastic which reduces the chance of ground loops and makes them sturdy for most applications.

#### Market Opportunities

The HBC5WT indoor camera mounting bracket is designed for applications that require a low cost, discreet camera mounting for walls and ceilings. This includes general surveillance applications in retail, banking, hospitality, light commercial and industrial environments.

#### Features:

- New contemporary design
- Economically priced
- ABS plastic
- Cable feed through
- 3-axis rotation
- Mounting hardware provided

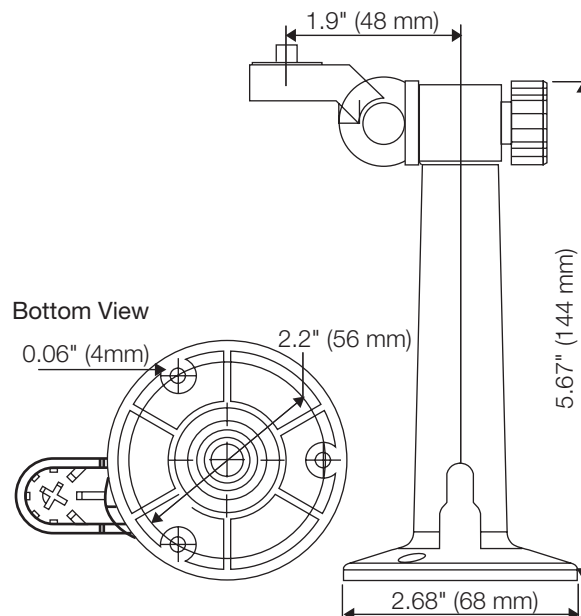


HBC5WT

# HBC5WT

Operational	HBC5WT
Pan	360°
Tilt	-120°/+45
Mechanical	
Locking Method	Tightening knob with friction pad
Wall Mounting Method	3 holes for supplied screws or similar fasteners
Camera Mounting	One 1/4" – 20 screw
Dimensions	See diagram
Weight	0.09 kg
Maximum Load	3.5 kg
Construction	Mount: ABS plastic Finish: Off-white

Side View



Ordering	
HBC5WT	Indoor camera mounting bracket, high impact ABS off-white plastic, 3-axis rotation, cable feed through - large enough for BNC, light duty, wall/ceiling mount

**NOTE:** Honeywell reserves the right, without notification, to make changes in product design or specifications.

## Honeywell Security

Honeywell Video Systems  
Aston Fields Road  
Whitehouse Industrial Estate  
Runcorn  
Cheshire WA7 3DL  
Tel: 08448 000 235  
Fax: +44 (0) 1928 701 063  
[www.honeywell.com/security/uk](http://www.honeywell.com/security/uk)

HVS-HBC5WT-01-UK(0807)DS-COE  
August 2007  
© 2007 Honeywell International Inc.

# Honeywell