

HCX13M Camera

1.3 MEGAPIXEL COLOUR NETWORK CAMERA

Honeywell's HCX series of megapixel cameras offers world-class video and leading-edge IP networking technologies. When object recognition is needed over a vast field of view, one megapixel camera can often do the same job as several standard analogue cameras. Megapixel technology increases the effectiveness of your security system by providing greater detailed images while saving on installation and equipment costs.

The HCX13M is a megapixel colour network camera that offers up to 1.3 MP (1280 X 1024) with frame rates up to 30 frames per second. It adapts to varying lighting conditions to ensure the highest picture quality even in low-light conditions down to 0.2 lux. User selectable exposure windows optimise video performance in the areas of interest. More detailed viewing can be performed using the digital PTZ control.

The HCX13M network camera includes advanced bandwidth management tools to optimise performance over any network. A built-in Web server provides password protected access to video and network set-up. Set-up is quick and easy and can be customised through a Web client or from an NVR multi-zone motion detection to trigger motion-based video streaming and privacy zones for blocking portions of the scene that are not to be recorded. An analogue output facilitates set-up of zoom and focus of the lens using spot monitors and allows easy integration with public view monitors. Choose between 12 VDC/24 VAC power input or PoE 802.3 af for additional installation flexibility.

Market Opportunities

The HCX13M provides optimum performance for both indoor and outdoor applications requiring higher resolution over a larger field of view than is available from a high resolution analogue camera. Retail and banking industries greatly benefit from using megapixel cameras. When fraud is suspected or transactions are being audited, the operator can position the camera to view the complete till transaction process and zoom in to capture the 'customer's' identifying features. Other applications include multi-lane carriageways, wide lobbies, gated entrances and loading bays.

Features

- 1280 X 1024, HD, XGA, SVGA, 4CIF, VGA, 320 X 256 resolutions
- Excellent low light performance, down to 0.2 lux.
- Up to 30 fps at 4CIF¹
 - 20 fps at HD
 - 15 fps at 1.3 MP
- Includes 4.0 mm to 10 mm F1.8 lens
- Analogue video output for set-up of lens
- MJPEG compression
- Multi-zone motion detection
- User selectable exposure window
- Password protection prevents unauthorised users from altering system settings
- Web server for remote set-up of camera video and network parameters
- 12 VDC/24 VAC or PoE 802.3 af choice of power inputs

¹ with image cropping



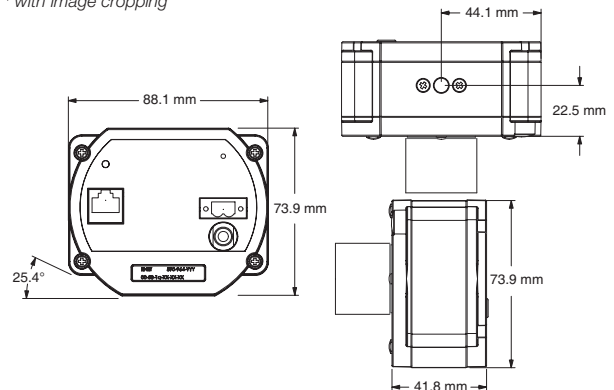
HCX13M Camera

SPECIFICATIONS

Operational	
Image Sensor	1/3" CMOS imager, progressive scan
Minimum Illumination	0.2 lux colour
S/N Ratio	50 dB or more (AGC off)
Auto Gain Control	Peak detect, dark detect, clip average, average
Automatic Electronic Shutter	1/5 – 1/10,000 sec
Gamma	0.45
White Balance	Automatic
Digital Slow Shutter	1X – 4X
Analogue Output	NTSC/PAL (operational when Ethernet not connected)
Analogue Video Output	1.0 Vp-p @ 75 Ohms
Motion Detection	Multi-zone Include/Exclude
Exposure Window	Include, variable size
Privacy Zones	Multiple exclude zones
Electrical	
Input Voltage	12 VDC/24 VAC, PoE 802.3af
Input Range	12-24 VDC, 22-26 VAC
Surge Suppression	1.5 kW transient
Power Consumption	2.5 W (max)
Mechanical	
Dimensions	See Diagram
Weight	0.16 kg camera only
Construction	Housing: Aluminium Finish: Grey Painted
Connector	Video Output: RCA connector Power Input: Removable screw terminal block Network: RJ45 connector
Environmental	
Temperature	Operating: 0°C to 40°C Storage: -20°C to 60°C
Relative Humidity	0% to 85%, non-condensing
Regulatory	
Emissions	FCC, CE (EN55022)
Immunity	CE (EN55024)
Safety	LVD 2006/95/EC

IP Specifications	
Resolutions	1280 X 1024, HD, XGA, SVGA, 4CIF, VGA, 320 x 256
Frame Rate ¹	Up to 15 fps @ 1.3 MP 20 fps @ HD 30 fps @ 4CIF
Video Streaming	MJPEG controllable frame rate and bandwidth. Constant and variable bit rate
Security	Multiple user access levels with password protection
Users	3 simultaneous unicast
Video Access From Web Browser	Camera live view for up to 3 clients. Full control of all camera settings available to administrator.
Minimum Web Browsing Requirements	Pentium IV CPU 3.0 GHz or equivalent AMD, 512 MB RAM, AGP graphics card (32 MB RAM) Windows XP, 2000, Internet Explorer 6.x or later
Supported Protocols	IPv4, HTTP, TCP UDP, FTP, SMTP, ICMP DHCP, ARP, DNS
Environmental	
Mounts	
HBC5WT	Wall/ceiling mount bracket
System Compatibility	
The Megapixel range is supported by a comprehensive line of video management systems and accessories. Visit the Megapixel product pages on www.honeywell.com/security/uk for up-to-date information on system compatibility.	

¹ with image cropping



Ordering	
HCX13MW	1/3" CMOS 1.3 Megapixel Colour Network Camera, 12 VDC/24 VAC or PoE 802.3 af, 4.0 mm to 10 mm VFMI F1.8 lens included

NOTE: Honeywell reserves the right, without notification, to make changes in product design or specifications.

For additional information,
please visit www.honeywell.com/security/uk

Honeywell Security Group

Honeywell Systems Group
Aston Fields Road
Whitehouse Industrial Estate
Runcorn
Cheshire
WA7 3DL
Tel: 08448 000 235
www.honeywell.com

HVS-HCX13MW-02-EN(0110)DS-GCSC
January 2010
© 2010 Honeywell International Inc.

Honeywell