

## HD3CHSX

### SUPER HIGH RESOLUTION DAY/NIGHT COLOUR INDOOR MINI-DOME CAMERA

Honeywell's HD3CHSX indoor fixed mini-dome camera is the latest addition to the HD3 Series. No matter how demanding the environment, this compact, integrated solution delivers outstanding image quality under almost any light conditions. The 1/3" CCD sensor offers the latest in digital video surveillance technology with accurate colour rendition through a wide variety of lighting conditions.

The HD3CHSX incorporates the latest Digital Signal Processing (DSP) and Digital Noise Reduction (DNR) technology to produce extremely sharp and clear images regardless of lighting levels. DNR removes noise artifacts, increasing the performance of motion detection and typically providing longer recording durations on digital and network video recorders. Producing 540 TV lines of crisp, clear horizontal resolution with a minimum illumination of 0.2 lux, the HD3CHSX reproduces sharper images down to the smallest detail with outstanding accuracy. A 2.8-10.5 mm Vari-focal Auto Iris lens covers a wide range of viewing angles. Picture adjustment after installation is easy with the 3-D axis gimbal that is capable of 360° of pan, 160° of tilt and 360° of horizontal rotation.

The HD3CHSX integrates a camera and lens into a compact, one-piece design for fast and easy installation. The surface mount offers easy installation directly to a ceiling, wall, or 2S single gang box. A wall/pendant mount kit is available in off white for inconspicuous installation in virtually any application. A service/monitor cable is included for easy on-site adjustments.

The HD3CHSX accepts either 12 VDC or 24 VAC (auto sensing) for proper operation and flexible installation. The Automatic Backlight Compensation (BLC) and Auto Tracking White Balance (ATW) ensure crisp colour images in dark or backlit environments such as windows and doorways. The Automatic Gain Control (AGC) feature increases the signal strength from the camera when scene lighting is low, keeping the picture sharp and viewable.

### Market Opportunities

The compact, one-piece design installs quickly and easily in commercial or government facilities, schools, casinos, retail stores or hospitals. Enhanced picture quality, true colour reproduction, and excellent low light performance makes the HD3CHSX ideal for a wide range of indoor surveillance applications.

### Features

- 1/3" SuperHAD2 Sony CCD
- Super high resolution colour: 540 TV lines
- Polycarbonate housing and dome
- Digital Noise Reduction technology for noise free images
- On Screen Display menu for easy setup
- Clear dome with liner for discreet surveillance with no light loss
- 2.8-10.5 mm (F1.2) Vari-focal Auto Iris lens
- Local video output for setup
- 3-D axis gimbal
- Line Lock with OSD phase adjustment (24 VAC)
- Dual 12 VDC/24 VAC voltage

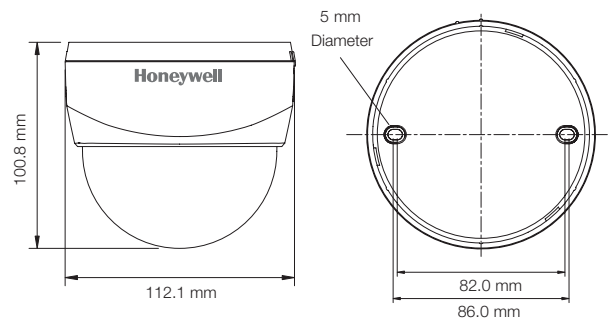


# HD3CHSX

## SPECIFICATIONS

Operational	
Video Standard	PAL
Scanning System	625 lines 2:1 interlace
Image Sensor	1/3" SuperHAD2 (Sony) CCD
Number of Pixels (H x V)	811 x 508
Minimum Illumination	0.2 lux @ F1.2 (AGC on, 50 IRE)
Horizontal Resolution	540 TVL
Video Output	1.0 Vp-p, composite @ 75 Ohms
Sync System	12 VDC: Internal, 24 VAC: Line Lock
S/N Ratio	>50 dB (AGC Off)
Auto Gain Control	Low/Mid/High/Off, selectable
Lens Iris Control	Direct Drive (DC) Auto Iris
Automatic Electronic Shutter	1/50-1/100,000 second (PAL)
White Balance	ATW/AWB/AWC > Set Manual/Indoor/Outdoor
BLC	Low/Mid/High/Off, switchable
Gamma	0.45, adjustable
Sense-Up	Off/Auto
D-WDR	Off/On
Privacy Mask	8 mask areas, configurable
Motion Detection	4 motion detection areas, configurable
Mirror	Off/Mirror/V-Flip/Rotate, selectable
3DNR	Off/On, adjustable
Lens Type	2.8 - 10.5 mm, Vari-focal Auto Iris, F1.2
Electrical	
Input Voltage	12 VDC/24 VAC
Input Range	11-16 VDC, 17-28 VAC
Surge Suppression	1.5 kW transient
Power Consumption	3.0 W (max)

Mechanical	
Dimensions (W x H x D)	See Diagram
Weight	0.3 kg max
Construction	Housing: Polycarbonate Dome: Polycarbonate Finish: Matt texture, off white
Connectors	Video Output: BNC connector Power Input: (Screw terminal block)
Environmental	
Temperature	Operating: -10°C to 50°C Storage: -20°C to 60°C
Relative Humidity	0% to 90% non-condensing
Accessories	
Mounts	
HD3-MK	Wall/Pendant Mount Kit, Off White
Regulatory	
Emissions	FCC, CE (EN55022)
Immunity	CE (EN50130-4)
Safety	EU: LVD 2006/95/EC



Ordering	
HD3CHSX	1/3" CCD High Resolution, Day/Night Indoor Dome Camera, Off White Housing, 540 TVL, 2.8-10.5 mm VFAL, PAL

**NOTE:** Honeywell reserves the right, without notification, to make changes in product design or specifications.

### For additional information,

please visit [www.honeywell.com/security/uk](http://www.honeywell.com/security/uk)

### Honeywell Security Group

Honeywell Systems Group  
Aston Fields Road  
Whitehouse Industrial Estate  
Runcorn  
Cheshire  
WA7 3DL  
Tel: 08448 000 235  
[www.honeywell.com](http://www.honeywell.com)

HVS-HD3CHSX-01-UK(0510)DS-GCSC  
May 2010  
© 2010 Honeywell International Inc.

# Honeywell