

HD3CX

STANDARD RESOLUTION COLOUR INDOOR MINI-DOME CAMERAS

Honeywell's HD3CX indoor colour dome camera encompasses the latest in colour Digital Signal Processing (DSP) technology. The standard resolution HD3CX integrates a camera and lens into a single piece, tamper proof, compact unit that can be surface or flush mounted for fast and easy installation. It is attractive and unobtrusive yet provides a crime-detering presence round-the-clock with its excellent low light imaging protection. The compact surface mount or flush one-piece mount design allows for fast, easy installation and a wall/pendant mount kit is available in off white for inconspicuous installation in virtually any application. The housing is designed to easily mount directly to a ceiling or wall, and a 4S adapter plate is supplied with the unit for mounting over an electric box. A service/monitor cable is also included for easy on-site adjustments.

The HD3CX incorporates a 1/3" CCD, offering 350 TV lines of crisp, clear horizontal resolution with a minimum illumination of 0.2 lux. The HD3CX Series comes equipped with a 2.8 – 10 mm (F1.3) Vari-focal Auto Iris lens to cover a wide range of viewing angles. Picture adjustment after installation is easy with the 3-D axis gimbal that is capable of 360° of pan, 180° of tilt and 360° of horizontal rotation. The HD3CX also features a tamper resistant lockable cover and a 'cable management' housing design for installations requiring the video and power connectors to be contained within the housing base.

The HD3CX accepts either 12 VDC or 24 VAC (auto sensing) for proper operation and flexible installation. The Backlight Compensation (BLC) and Auto Tracking White Balance (ATW) ensure crisp colour images in dark or backlit environments such as windows and doorways. The Automatic Gain Control (AGC) feature increases the signal strength from the camera when scene lighting is low, keeping the picture sharp and viewable at all times.

Market Opportunities

The cost effective HD3CX sets a new standard in high quality indoor surveillance. Standard resolution picture quality, attractive cosmetic appearance, true colour reproduction and excellent low light performance make the HD3CX dome cameras the ideal solution for a wide range of applications such as retail, casinos, banks, shopping centres, residential applications or hotel lobbies - wherever surveillance must be discreet.

Features

- 1/3" Sony Interline CCD
- Standard resolution colour: 350 TV lines
- Single model for surface mount and recessed ceiling applications, 4S adapter plate also supplied
- Tamper resistant dome offers secure installation
- Polycarbonate housing and dome
- Easy to use 'cable management' housing design
- Clear dome with liner for discretion with no light loss
- 2.8 – 10 mm (F1.3) Aspherical Vari-focal Auto Iris lens
- Local video output for setup
- 3D - axis gimbal
- Line Lock with phase adjustment (24 VAC)
- Dual 12 VDC/24 VAC voltage
- Housing available in off white
- Pendant and wall mount kit available



HD3CX shown
with mount ring for
surface mount

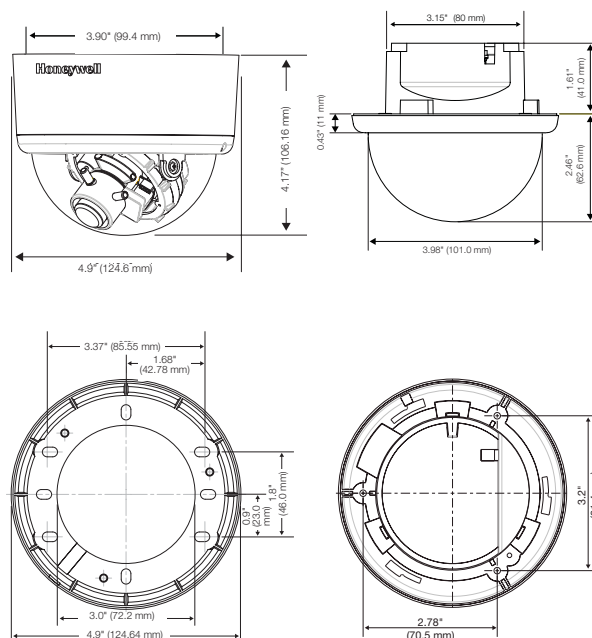
HD3CX shown
without mount
ring for flush
mount

HD3CX

SPECIFICATIONS

Operational	HD3CX
Video Standard	PAL
Scanning System	625/50 lines (PAL)
Image Sensor	1/3" Sony CCD colour image sensor
Number of Pixels (H x V)	500 x 582 (PAL)
Minimum Illumination	0.2 lux @ F1.3 (AGC on, 50 IRE)
Horizontal Resolution	350 TVL
Video Output	1.0 Vp-p, composite @ 75 Ohms
Sync System	12 VDC: Internal 24 VAC: Line lock
S/N Ratio	50 dB (AGC Off)
Auto Gain Control	On/off, selectable
ALC	Auto Iris: DC drive
Automatic Electronic Shutter	1/50 – 1/100,000 second (PAL)
White Balance	ATW/AWC
Line Lock Phase Adjust	Adjustable (available only with 24 VAC)
BLC	On/off, switchable
Flickerless	On/off, switchable
Lens Type	2.8 to 10 mm, Vari-focal Auto Iris, F1.3
Angle of View	Tele: 34.3° (D), 27.4° (H), 20.5° (V) Wide: 129° (D), 100.2° (H), 73.3° (V)
Electrical	
Input Voltage	12 VDC/24 VAC
Input Range	11-16 VDC, 17-28 VAC
Surge Suppression	1.5 kW Transient
Power Consumption	3.5 W (max)
Mechanical	
Dimensions(W x H x D)	See Diagram
Weight	0.66 lb (.3 kg) max
Construction	Housing: Polycarbonate Dome: Polycarbonate Finish: Matte texture, Off White
Connectors	Video Output: BNC connector Power Input: Screw terminal block

Environmental	
Temperature	Operating: 14°F to 122°F (-10°C to 50°C) Storage: -4°F to 140°F (-20°C to 60°C)
Relative Humidity	0% to 90% non-condensing
Regulatory	
Emissions	FCC, CE (EN55022)
Immunity	CE (EN50130-4)
Safety	UL60065, EU: 73/23/EEC LVD
Accessories	
Mounts	
HD3-MK	Wall/Pendant Mount Kit, Off White



Ordering	
HD3CX	1/3" CCD Standard Resolution Colour Dome Camera, Off White Housing, 350 TVL, 2.8 - 10 mm VFAI, PAL

NOTE: Honeywell reserves the right, without notification, to make changes in product design or specifications.

Honeywell Security

Honeywell Systems Group
Aston Fields Road
Whitehouse Industrial Estate
Runcorn
Cheshire
WA7 3DL
Tel: 08448 000 235
Fax: 01928 701 063
www.honeywell.com/security/uk

HVS-HD3CX-01-EN(0308)DS-COE
March 2008
© 2008 Honeywell International, Inc.

Honeywell