

OmniAssure™

MIFARE and DESFire Readers



Smart card technology is ideally suited for access control, logical (PC) access, storage of biometric templates, parking, ePurse and many other applications requiring reliable read/write cards. MIFARE Classic and DESFire are widely used for these applications.

OmniAssure™ from Honeywell is a range of 13.56 MHz contactless smart card readers that offers superb reliability, consistent read range and ease of installation. Each OmniAssure reader incorporates smart card technology allowing the user to support MIFARE Classic and DESFire 0.6 applications and multiple applications on each card simultaneously.

OmniAssure readers can retrofit most standard Honeywell or Wiegand-output proximity systems and are easy to install without the need to rewire. Reader versions include smart card reader only, smart card reader plus keypad, and a multi-technology smart card/prox transit reader. All wall-mount readers are sold as mullion with an optional gangbox mounting kit.

MIFARE Easy Ordering Programme

OmniAssure offers an easy-to-order and easy-to-use MIFARE solution. Prior knowledge of MIFARE encryption and technology is not required as a selection of pre-programmed MIFARE classic cards and matching configured readers are available to order.

Transition from HID PROX to MIFARE or DESFire

Access control systems that need to switch from HID PROX card based technology to a MIFARE Classic or DESFire card based solution can easily do so with OmniAssure.

MIFARE / DESFire Projects

For MIFARE Classic or DESFire 0.6 projects, with special encryption and data file setting requirements, OmniAssure Card Serial Number (CSN) readers can be used. As such, the installation can be tested technically prior to setting the reader to a project specific encrypted mode. The readers can also be set on site to encrypted mode using configuration cards.

FEATURES

- Compatible with ISO14443 13.56MHz RFID technologies
 - MIFARE® Classic
 - DESFire® 0.6
- Compatible with 125kHz RFID technologies
 - 125 kHz HID® Prox
- Easily order MIFARE Classic cards like proximity cards (off the shelf ordering)
- Easily order Mifare reader for indoor and outdoor use
- Flash-on-card technology can be used to manage security keys and change the operating characteristics of the reader
- Project management is optionally available
- Mullion and switch plate mounting
- Built-in audible buzzer
- Two LEDs (red and green)
- Potted for weather resistance
- Configurable output
 - Wiegand (Default)
 - Clock and Data
 - ISO7811 Clock & Data ABA Track 2 emulation
 - Serial (RS232/RS422/RS485)

OmniAssure™

MIFARE and DESFire Readers

BENEFITS

Easy to use, encrypted yet cost-effective

World wide sourcing = Standard Open

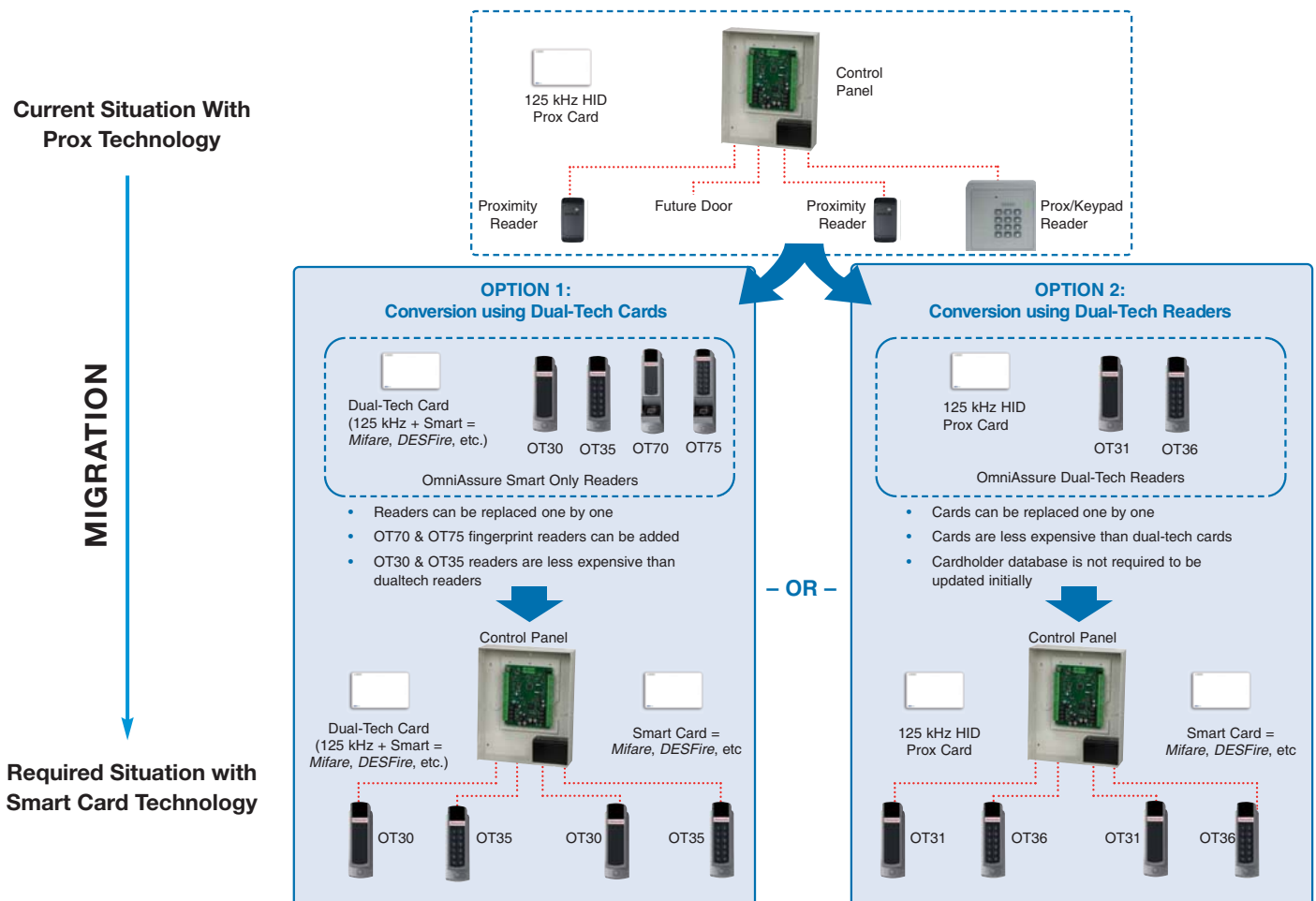
Multi-Technology = Transition Friendly

Typically when installers get asked for a MIFARE solution, often they suggest MIFARE Card Serial Number (CSN) reading options. The CSN solution provides a similar level of security as standard proximity cards and is usually time-consuming to implement into the customer's access control system. However, the Honeywell OmniAssure MIFARE range includes crypted card numbers on cards with matching readers, all without any prior knowledge of MIFARE technology.

ISO14443 is open because NXP Semiconductors has sold Mifare® Classic chips and licensed DESFire, and SmartMX technologies to multiple reader manufacturers. This ensures longevity of an ISO14443 solution with multiple sourcing options. Hence the Mifare technology is available to many manufacturers and vendors for secure and multi-application use of the Mifare Card.

Multi-technology OmniAssure readers transition easily from 125 kHz proximity to smart card technologies by interchangeably reading 125 kHz proximity and contactless smart cards. In facilities with a large ratio of cardholders to readers, this approach is often more cost effective than applying smart tags/stickers to 125 kHz proximity cards.

MIGRATION OPTIONS



SPECIFICATIONS

	OT30HONBM OT31HONBM	OT35HONBM OT36HONBM	OT30HONBS OT31HONBS	OT35HONBS OT36HONBS	OT30HONBD OT31HONBD	OT35HONBD OT36HONBD
Dimensions - reader only	14.2 x 4.6 x 2.5 cm (reader only) or 14.2 x 7.3 x 3.0 cm (with gang box mounting plate (IEMOUNTB))					
Keypad	N/A	2 x 6 keypad	N/A	2 x 6 keypad	N/A	2 x 6 keypad
ISO support	14443A-1,2,3: Reads MIFARE		14443A-1,2,3: Reads MIFARE, DESFire credentials, (CSN) or MIFARE project Sector reader		14443A-1,2,3,4: Reads DESFire 0.6 credentials, (CSN) or project DESFire 0.6 File reader	
Data Encryption	MIFARE classic encryption available between card and reader		CSN is not encrypted. Only available after reprogramming to MIFARE Classic sector reading		CSN is not encrypted. Only available after reprogramming to DESFire 0.6 File reading: DES and 3DES Encryption	
Regulatory Approvals	UL294/cUL, FCC, CE, RoHS					
Operating Temperature	-30°C to 60°C					
Operating Humidity	0 to 95% relative humidity (non-condensing)					
Operating Voltage Range	5 - 24 VDC					
Termination	8 wire removable terminal block					
Tamper Output	Optional (IETAMPERB)					
Panel Interfaces	(all built-in) Wiegand (Keypad - four bit per keystroke)		(all built-in) Wiegand, can be reprogrammed to RS232, RS485, Clock & Data or custom format (Keypad - four bit per keystroke)			
IP Rating	IP55					
Warranty	Limited Lifetime					

	OT30HONBM	OT35HONBM	OT30HONBS	OT35HONBS	OT30HONBD	OT35HONBD
MIFARE / DESFire Reader	MIFARE Classic Sector Reader		MIFARE Classic and DESFire CSN Reader		MIFARE DESFire CSN Reader	
Application	Reads OmniAssure encrypted MIFARE Classic credentials (output in 26 or 34 bit). Reads MIFARE and DESFire CSN (output 36 bit)		Reads MIFARE and DESFire CSN (output 56 bit)		Reads DESFire CSN (output 56 bit)	
Current (@12VDC)	68mA avg, 81mA peak					
OmniAssure MIFARE credential read range (read range specified for OmniAssure Credentials, other MIFARE manufacturers may vary)						
1k MIFARE (OFP1N26, OFP1N34 programmed)	3,0 cm		3,0 cm CSN		N/A	
1k MIFARE (OFP1N00)	3,0 cm CSN				N/A	
4k MIFARE (OFP4N00)	3,0 cm CSN				N/A	
Proximity and 1k MIFARE (OFH1N26, OFH1N34)	3,0 cm		3,0 cm CSN		N/A	
Proximity and 1k MIFARE (OFH1N0026SP, OFH1N0034SP MIFARE unprogrammed)	3,0 cm CSN				N/A	
4k DESFire (ODP4N00)	3,0 cm CSN				3,0 cm CSN	

	OT31HONBM	OT36HONBM	OT31HONBS	OT36HONBS	OT31HONBD	OT36HONBD
MIFARE / DESFire / HID Prox Transition Reader	MIFARE Classic Sector and HID Prox Reader		MIFARE Classic and DESFire CSN ¹ and HID Prox Reader		MIFARE DESFire CSN and HID Prox Reader	
Application	Reads OmniAssure encrypted MIFARE Classic credentials (output in 26 or 34 bit). Reads HID PROX Credentials.		Reads MIFARE and DESFire CSN (output 56 bit). Reads HID PROX Credentials.		Reads DESFire CSN (output 56 bit). Reads HID PROX Credentials.	
Current (@12VDC)	79mA avg, 96mA peak					
OmniAssure MIFARE credential read range (read range specified for OmniAssure Credentials, other MIFARE manufacturers may vary)						
1k MIFARE (OFP1N26, OFP1N34 programmed)	3,8 cm		3,8 cm CSN		N/A	
1k MIFARE (OFP1N00)	N/A		3,8 cm CSN		N/A	
4k MIFARE (OFP4N00)	N/A		3,8 cm CSN		N/A	
4k DESFire (ODP4N00)	N/A		3,8 cm CSN		3,8 cm CSN	
HID Prox credential read range						
Proximity (PVC-H-4, PVC-H-5)	3,2 cm					

OmniAssure™

MIFARE and DESFire Readers

ORDERING

READERS	CREDENTIALS
MIFARE Classic Sector Reader and MIFARE CSN OT30HONBM MIFARE reader OT35HONBM MIFARE reader with keypad MIFARE Transit Sector Reader and 125 kHz HID Prox OT31HONBM MIFARE transit reader OT36HONBM MIFARE transit reader with keypad	Programmed MIFARE Classic cards compatible with OT3xHONBM OFP1N34 MIFARE 1K PVC card, 34 bit format OFK1N34 MIFARE 1K Key fob, 34 bit format OFP1N26 MIFARE 1K PVC card, 26 bit format OFK1N26 MIFARE 1K Key fob, 26 bit format MIFARE multi technology cards compatible with OT3xHONBM OFH1N34 MIFARE 1K and HID Prox PVC card, both programmed with same card number, 34 bit format OFH1N26 MIFARE 1K and HID Prox PVC card, both programmed with same card number, 26 bit format
MIFARE CSN Reader - MIFARE Classic Project reader OT30HONBS MIFARE reader OT35HONBS MIFARE reader with keypad MIFARE Transit CSN Reader and 125 kHz HID Prox - Project reader OT31HONBS MIFARE transit reader OT36HONBS MIFARE transit reader with keypad	MIFARE Classic unprogrammed cards OFP1N00 Unprogrammed MIFARE 1K PVC card OFK1N00 Unprogrammed MIFARE 1K Key fob OFP4N00 Unprogrammed MIFARE 4K PVC card OFK4N00 Unprogrammed MIFARE 4K Key fob MIFARE multi technology cards OFP1N0034SP Unprogrammed MIFARE 1K, Programmed 34-bit HID Prox PVC card OFP1N0026SP Unprogrammed MIFARE 1K, Programmed 26-bit HID Prox PVC card
DESFire CSN Reader - DESFire 0.6 Project reader OT30HONBD DESFire reader OT35HONBD DESFire reader with keypad DESFire Transit CSN Reader and 125 kHz HID Prox - Project reader OT31HONBD DESFire transit reader OT36HONBD DESFire transit reader with keypad OmniAssure Miscellaneous Reader Parts IEMOUNTB Gangbox mounting kit for OT30, OT31, OT35, OT36 models IETAMPERB Tamper switch accessory for all readers	DESFire 0.6 unprogrammed cards ODP4N00 Unprogrammed DESFire 0.6 4K PVC card ODK4N00 Unprogrammed DESFire 0.6 4K Key fob

For MIFARE specialised project management tools please consult with your local representative

OmniAssure™ is a trademark of Honeywell International Inc.

Mifare® and DESFire® are trademarks of NXP Semiconductors N.V. HID®, HID®Prox and ISOProx® are trademarks of HID Global.

For additional information,

please visit www.honeywell.com/security/me

Honeywell Security Group

LOB Building 08, Office 199

P.O.Box 18530, Jebel Ali

Dubai

United Arab Emirates (UAE)

Tel: +971-4-8073200

www.honeywell.com