

HD3, HD4, HDPR Housing Mounts

INDOOR/OUTDOOR FIXED MINIDOME MOUNTS

The HD3, HD4, and HDPR housing mounts can be used to install Honeywell's 3 and 4-Series fixed minidome cameras to a variety of surfaces. They provide a wide range of mounting options – to walls, ceilings, and a variety of indoor and outdoor surfaces.

The simple, solid design of these mounts is an installer's first choice for ease of installation. All wall and pendant mounts provide easy cable routing and the camera and lens can be installed, adjusted, and tested without repositioning the housing.

The HD4 and HDPR Series mounts feature die cast aluminum construction with a cool gray powder coating. The HD3 Indoor Series mounts have polycarbonate construction with off-white powder coating. All are designed to perfectly complement the low profile, fixed minidome cameras, making them the obvious choice for architecturally sensitive installations.

Market Opportunities

The Honeywell HD3, HD4, and HDPR Series mounts provide performance and strength you can depend on. The attractive design, impact-resistant construction, and range of mounting options make these mounts the best solution for all your indoor and outdoor applications.

Features

Description	Camera Series		
	HD4	HDPR	HD3
Low profile, contemporary design	X	X	X
Economically priced	X	X	X
Cable feed through for ease of installation and camera setup	X	X	X
Concealed wiring	X	X	
Die cast aluminum construction	X	X	
Polycarbonate construction			X
Cool gray powder finish	X	X	
Off-white powder finish			X
Indoor			X
Indoor/outdoor	X	X	



HD3-MK1



HD4CHIP-WK



HD4CHIP-PK



HDPR-WK



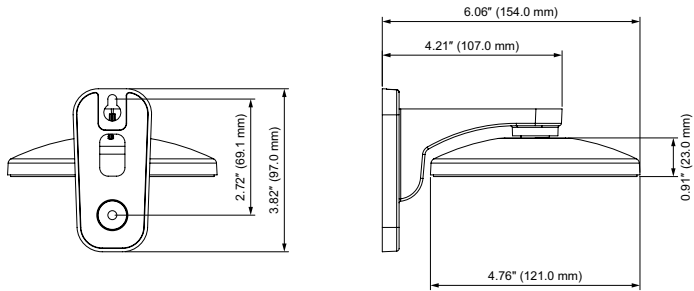
HDPR-PK

HD3, HD4, HDPR Housing Mounts

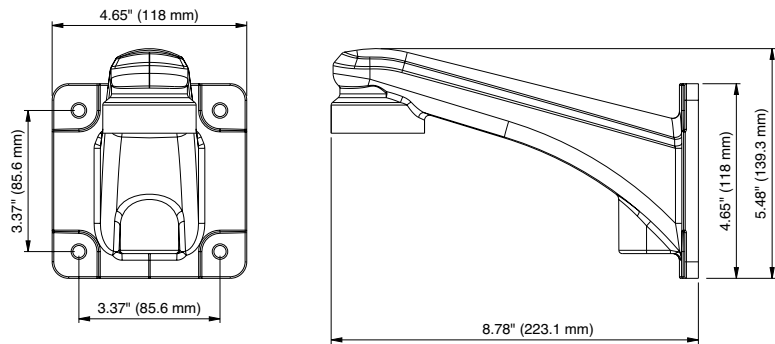
www.honeywellvideo.com

SPECIFICATIONS

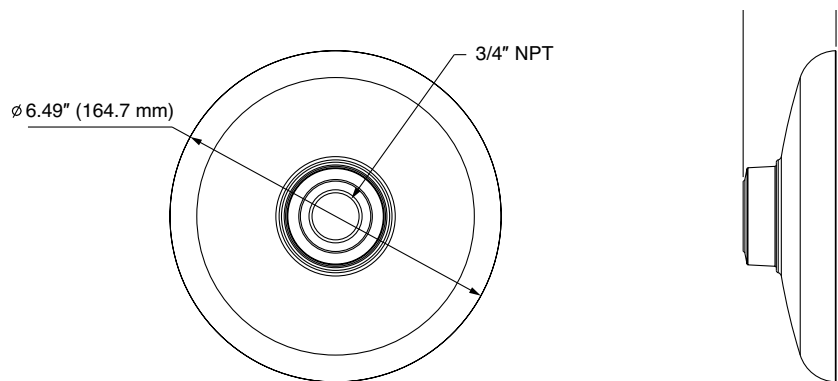
HD3-MK1



HD4CHIP-WK



HD4CHIP-PK

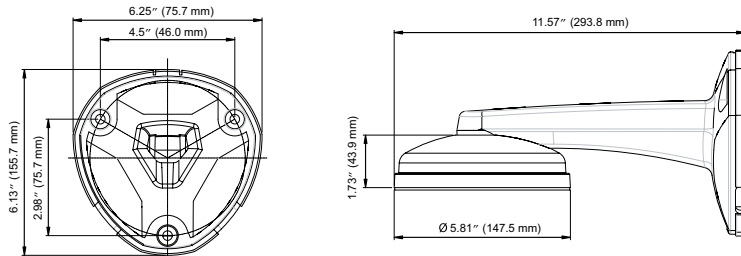


HD3, HD4, HDPR Housing Mounts

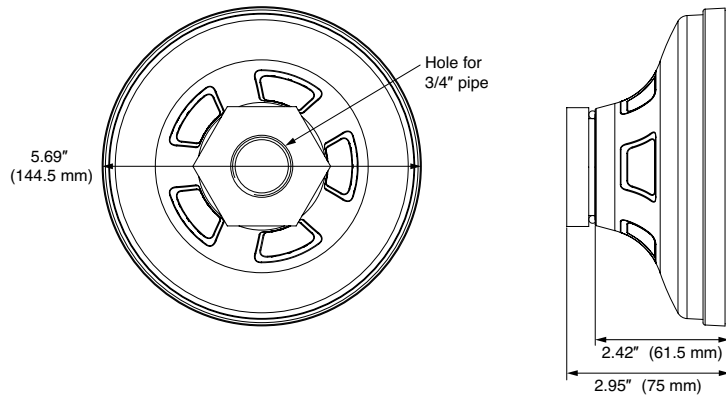
www.honeywellvideo.com

SPECIFICATIONS

HDPR-WK



HDPR-PK



HD3, HD4, HDPR Housing Mounts

www.honeywellvideo.com

SPECIFICATIONS

Mechanical					Camera Housing Mount	Mount to Camera Models
Model No.	Unit Weight	Max Load Weight	Construction/ Finish	Dimensions		
HD3-MK1	0.18 lb. (0.08 kg)	7.5 lb. (3.5 kg)	Polycarbonate/ Off-white powder coating	3.82" x 6.06" x 4.76" (97.0 mm x 154.0 mm x 121.0 mm)	HD3-MK1	HD3HRS(X) HD3DS(X) HD3US(X) HD3MWH(X) HD3HDIH(X) HD3MDIH(X) H3W1F1(X) H3D2F1(X) H3D1F1(X) H3SVP1(X) H3S1P1(X) HD44IP(X) HD45IP(X)
HD4CHIP-WK	1.34 lb. (0.61 kg)	15 lb. (7 kg)	Die-cast aluminum/ Cool gray powder coating	5.48" x 8.78" x 4.65" (139.3 mm x 223.1 mm x 118.0 mm)		
HD4CHIP-PK	0.82 lb. (0.37 kg)	15 lb. (7 kg)	Die-cast aluminum/ Cool gray powder coating	1.82" x 6.49" (46.2 mm x 164.7 mm)		
HDPR-WK	2.16 lb. (1.0 kg)	15 lb. (7 kg)	Die-cast aluminum/ Cool gray powder coating	11.57" x 5.81" x 6.25" (base) (293.8 mm x 147.5 mm x 75.7 mm)	HD4CHIP-WK HD4CHIP-PK	HD4DIRS(X) HD4D3S(X) HD4D9S(X) HD4US(X) H4D1FR1(X) H4D1F1(X) H4D2F1(X) H4W1F1(X) H4SVP1(X) H4S1P1(X) HD4MDIH(X) HD4MWH(X) HD4HDIH(X) HD54IP(X) HD55IP(X)
HDPR-PK	1.1 lb. (0.5 kg)	15 lb. (7 kg)	Die-cast aluminum/ Cool gray powder coating	2.95" x 5.69" (75.0 mm x 144.5 mm)		
					HDPR-WK HDPR-PK	HD70P(X)

Ordering	
HD3-MK1	Pendant/Wall Mount Kit, Off-white
HD4CHIP-WK	Wall Mount, Cool gray
HD4CHIP-PK	Pendant Mount, Cool gray
HDPR-WK	Wall Mount, Cool gray
HDPR-PK	Pendant/Ceiling Mount, Cool gray

NOTE: Honeywell reserves the right, without notification, to make changes in product design or specifications.

Automation and Control Solutions
 Honeywell Security Products Americas
 2700 Blankenbaker Pkwy, Suite 150
 Louisville, KY 40299
 1.800.323.4576
 www.honeywell.com

L/HD34PRD/D
 May 2015
 © 2015 Honeywell International Inc.

