



P2RHK-120 Outdoor 120V Selectable Output Horn/Strobe

The SpectrAlert® Advance selectable-output outdoor 120V horn/strobe is rich with features guaranteed to cut installation times and maximize profits.



SPECTRAlert®
ADVANCE
from System Sensor

Features

- Plug-in design
- Field selectable candela settings: 135, 150, 177, 185
- Tamper resistant construction
- Outdoor products rated from -40°F to 151°F
- Regulated 120VAC
- Rotary switch for horn tone and three volume selections
- Outdoor products listed to UL 1638 (strobe) and UL 464 (horn) outdoor requirements
- Outdoor products rainproof per UL 50 (NEMA 3R)
- Weatherproof back box included
- Single screw attachment
- Horn/strobe, 120VAC adapter mounting plate, and weatherproof back box included
- Listed for ceiling or wall mounting

The SpectrAlert Advance series of notification appliances is designed to simplify installations, with features such as plug in designs, instant feedback messages to ensure correct installation of individual devices, and field-selectable candela settings.

When installing the P2RHK-120, first attach the 120V mounting plate to the outdoor back box provided with each unit.

Next, connect the notification appliance circuit wiring to the SEMS terminals on the mounting plate.

Finally, attach the horn/strobe to the mounting plate by inserting the product's tabs in the mounting plate's grooves. The device will rotate into position, locking the product's pins into the mounting plate's terminals. The device will temporarily hold in place with a catch until it is secured with a captured mounting screw.

The SpectrAlert Advance series outdoor notification appliances are rated between minus 40 degrees Fahrenheit and 151 degrees Fahrenheit in wet or dry applications.

Agency Listings

SIGNALING



S4011
S5512
S3593

MEA
approved

MEA452-05-E



7300-1653:187 (outdoor strobes)
7125-1653:188 (horn/strobes)

SpectrAlert Advance Specifications

Architect/Engineer Specifications

The horn/strobe shall be a System Sensor SpectrAlert Advance Model _____ listed to UL 1971 and UL 464 and shall be approved for fire protective service. The horn/strobe shall be wired as a primary-signaling notification appliance and comply with the Americans with Disabilities Act requirements for visible signaling appliances, flashing at 1Hz over the strobe's entire operating voltage range. The strobe light shall consist of a xenon flash tube and associated lens/reflector system. The horn shall have three audibility options and an option to switch between a temporal three-pattern and a non-temporal (continuous) pattern. These options are set by a multiple position switch. On four-wire products, the strobe shall be powered independently of the sounder. The horn on horn/strobe models shall operate on a coded or non-coded power supply.

Outdoor Products

SpectrAlert Advance outdoor horn/strobe shall be listed for outdoor use by UL and shall operate between minus 40 degrees and 151 degrees Fahrenheit. The products shall be listed for use with a System Sensor outdoor/weatherproof back box with half inch and three-fourths inch conduit entries.

Physical/Electrical Specifications

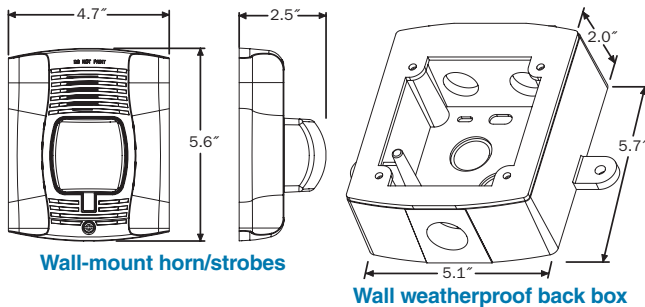
Operating Temperature	-40°F to 151°F (-40°C to 66°C)
Strobe Flash Rate	1 flash per second
Nominal Voltage	Regulated 120VAC
Operating Voltage Range	96 – 132VAC
Input terminal wire gauge	12 to 18 AWG
Dimensions	5.7" L x 5.1" W x 2.0" D (145 mm L x 130 mm W x 51 mm D)

Candela Derating

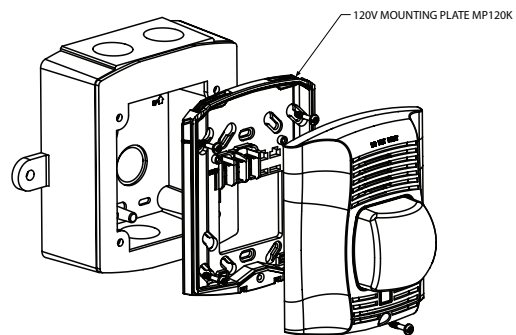
For K series products used at low temperatures, listed candela ratings must be reduced in accordance with this table.

Strobe Output (cd)	
Listed Candela	Candela rating at -40°F
135	135
150	150
177	177
185	185

P2RHK-120 Dimensions



P2RHK-120 Mounting



SpectrAlert Advance Ordering Information

Model	Description
P2RHK-120*	2-wire Horn/Strobe, High cd, Red, Outdoor, 120VAC

Notes:

*Includes P2RHK 2-wire horn/strobe, MP120K 120VAC adapter mounting plate, and weatherproof back box.

"High cd," refers to strobes that include 135, 150, 177, and 185 candela settings.

All outdoor units ending in "K" include a weatherproof back box.



3825 Ohio Avenue • St. Charles, IL 60174
Phone: 800-SENSOR2 • Fax: 630-377-6495

©2012 System Sensor.
Product specifications subject to change without notice. Visit systemsensor.com
for current product information, including the latest version of this data sheet.
AVDS01700 • 03/12