

Performance Series IP Mounts

Indoor/Outdoor Mounts and Accessories

Honeywell’s Performance Series IP mounts and accessories provide a range of installation options for the Honeywell Performance Series IP cameras, including junction box, wall, pole, and corner mounts.

The mounts provide easy cable routing with no exposed wiring, and the cameras can be installed, adjusted, and tested without repositioning the housing. All of the mounts and accessories are suitable for indoor or outdoor use.

The junction boxes, and pole mount are constructed of die-cast aluminium. The corner mount adapter is made of SECC steel. The HEJB junction box is made of die-cast aluminium and SECC steel. All of the mounts and accessories are powder coated to match the finish of the camera.

Market Opportunities

Honeywell’s Performance Series IP mounts and accessories provide excellent value at an attractive price, featuring simple, clean lines, rugged construction, and a wide range of mounting options.

Features

DESCRIPTION				WALL MOUNT	POLE MOUNT	CORNER MOUNT
	HQA-BB2	HBS2-BB	HEJB	HQA-WK	HQA-WK	HB34S2-CM
Low profile, contemporary design	✓	✓	✓	✓	✓	✓
Economically priced	✓	✓	✓	✓	✓	✓
Easy cable feed-through	✓	✓	✓	✓	✓	✓
Die-cast aluminium	✓	✓	✓	✓	✓	
SECC steel			✓			✓
Off-white powder finish	✓	✓	✓	✓	✓	✓
Indoor/Outdoor	✓	✓	✓	✓	✓	✓



HQA-BB2
Junction Box



HBS2-BB
Junction Box



HEJB
Junction Box



HQA-WK
Wall Mount



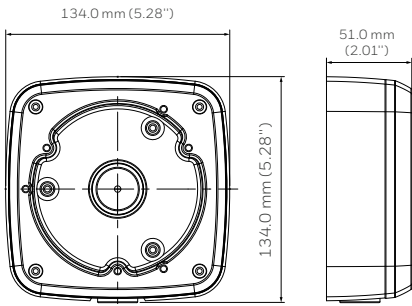
HQA-PM
Pole Mount



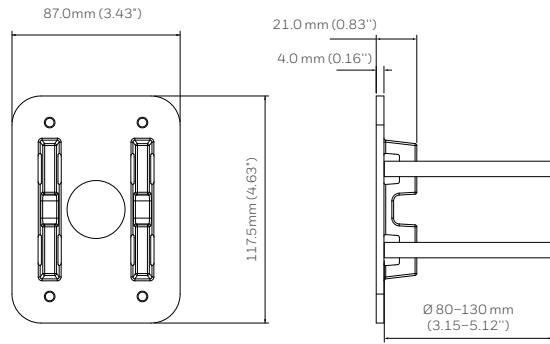
HB34S2-CM
Corner Mount

Performance Series IP Mounts Dimensions

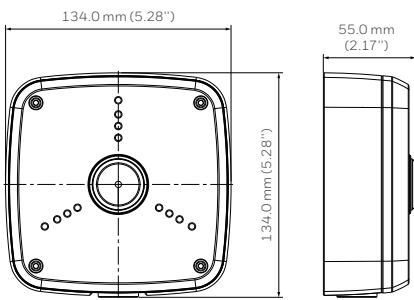
HQA-BB2



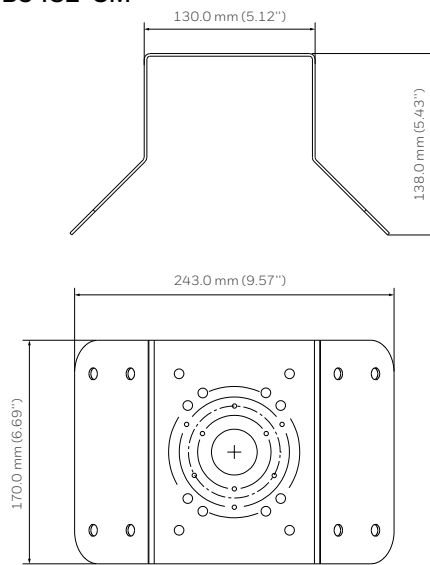
HQA-PM



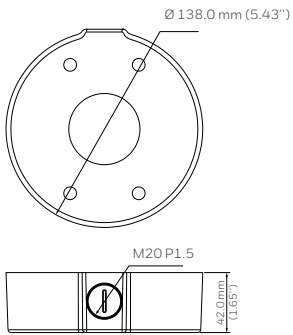
HBS2-BB



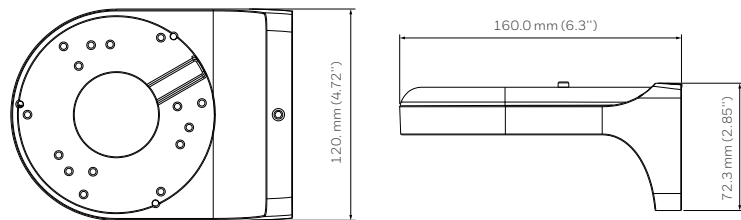
HB34S2-CM



HEJB



HQA-WK



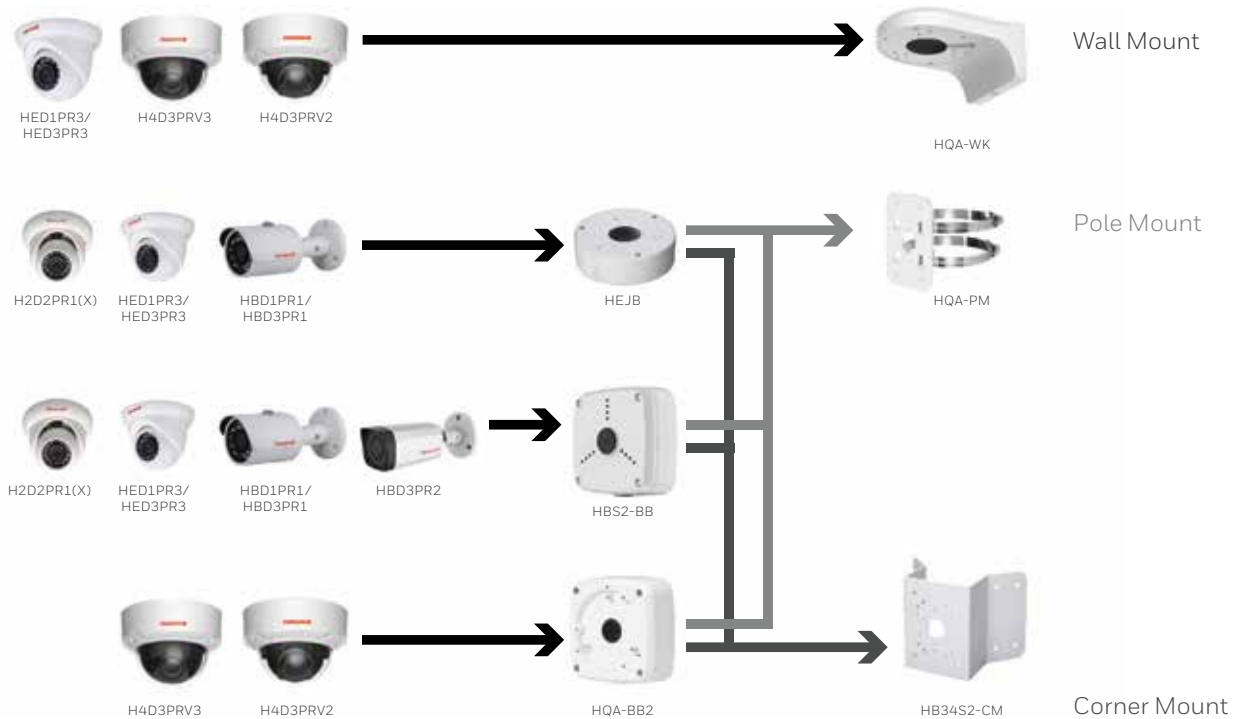
Performance Series IP Mounts Specifications

MECHANICAL			
MOUNTS	UNIT WEIGHT	CONSTRUCTION	DIMENSIONS
HQA-BB2	0.6 kg (1.32 lb)	Die-cast aluminium	134.0 x 134.0 x 51.0 mm (5.28 x 5.28 x 2.01 in.)
HBS2-BB	0.5 kg (1.1 lb)	Die-cast aluminium	134.0 x 134.0 x 55.0 mm (5.28 x 5.28 x 2.17 in.)
HEJB	0.38 kg (0.84 lb)	Die-cast aluminium and SECC steel	ø 138.0 x 42.0 mm ø (5.43 x 1.65 in.)
HQA-PM	0.2 kg (0.44 lb)	Die-cast aluminium	117.5 x 87.0 x 21.0 mm (4.63 x 3.43 x 0.83 in.)
HB34S2-CM	1.7 kg (3.75 lb)	SECC steel	243.0 x 170.0 x 138.0 mm (9.57 x 6.69 x 5.43 in.)
HQA-WK	1.0 kg (2.2 lb)	Die-cast aluminium and ABS	120.0 x 72.3 x 160.0 mm (4.72 x 2.85 x 6.3 in.)

COMPATIBLE CAMERAS			
MOUNTS	IR BALL	IR DOME	IR BULLET
HQA-BB2		H4D3PRV2; H4D3PRV3	
HBS2-BB	H2D2PR1(X); HED1PR3; HED3PR3		HBD1PR1; HBD3PR1; HBD3PR2
HEJB	H2D2PR1(X); HED1PR3; HED3PR3		HBD1PR1; HBD3PR1
HQA-PM	H2D2PR1(X)*; HED1PR3; HED3PR3	H4D3PRV2; H4D3PRV3	HBD1PR1; HBD3PR1; HBD3PR2
HB34S2-CM	H2D2PR1(X)*; HED1PR3; HED3PR3	H4D3PRV2; H4D3PRV3	HBD1PR1; HBD3PR1; HBD3PR2
HQA-WK	HED1PR3; HED3PR3	H4D3PRV2; H4D3PRV3	

* With a compatible junction box

Mounts Compatibility Matrix



Performance Series IP Mounts Ordering

ORDERING	
HQA-BB2	Junction Box, Off-White
HBS2-BB	JJunction Box, Off-White
HEJB	Junction Box, Off-White
HQA-PM	Pole Mount Adapter, Off-White
HB34S2-CM	Corner Mount Adapter, Off-White
HQA-WK	Wall Mount, Off-white

NOTE: Honeywell reserves the right, without notification, to make changes in product design or specifications.

For more information

www.security.honeywell/performance_uk

Email: securitysales@honeywell.com

Honeywell Security and Fire

Europe and Middle East

United Kingdom

Aston Fields Road
Whitehouse Industrial Estate
Runcorn
Cheshire
WA7 3DL
United Kingdom
Tel: +44 (0)8448 000 235
www.honeywell.com/security/uk

Middle East

Emaar Business Park, Sheikh Zayed Road
Building No. 2, 3rd Floor, Office No. 301
Post Office Box 232362
Dubai
United Arab Emirates
Tel: +971 44541704
www.honeywell.com/security/me

South Africa

Honeywell House – Treur Close Waterfall Park
Gauteng
PO Box 6674
Midrand 1685
South Africa
Tel: +27 (0)11 695 8000
www.honeywell.com/security/za

Italy

Via della Resistenza, 53/59
20090 Buccinasco
Milano
Italia
Tel: +39 (0) 248 880 51
www.honeywell.com/security/it