

## HAVDTXX-EU Series of Duct Airflow Transmitter



The HAVDT series is intended for use in commercial environments. It is designed with a duct mount probe and adjustable collar suitable for round or rectangular ducts. The transmitter provides separate readings for air velocity and temperature. It comes with three measurement ranges in a single device (0–2 m/s, 0–10 m/s, 0–20 m/s).

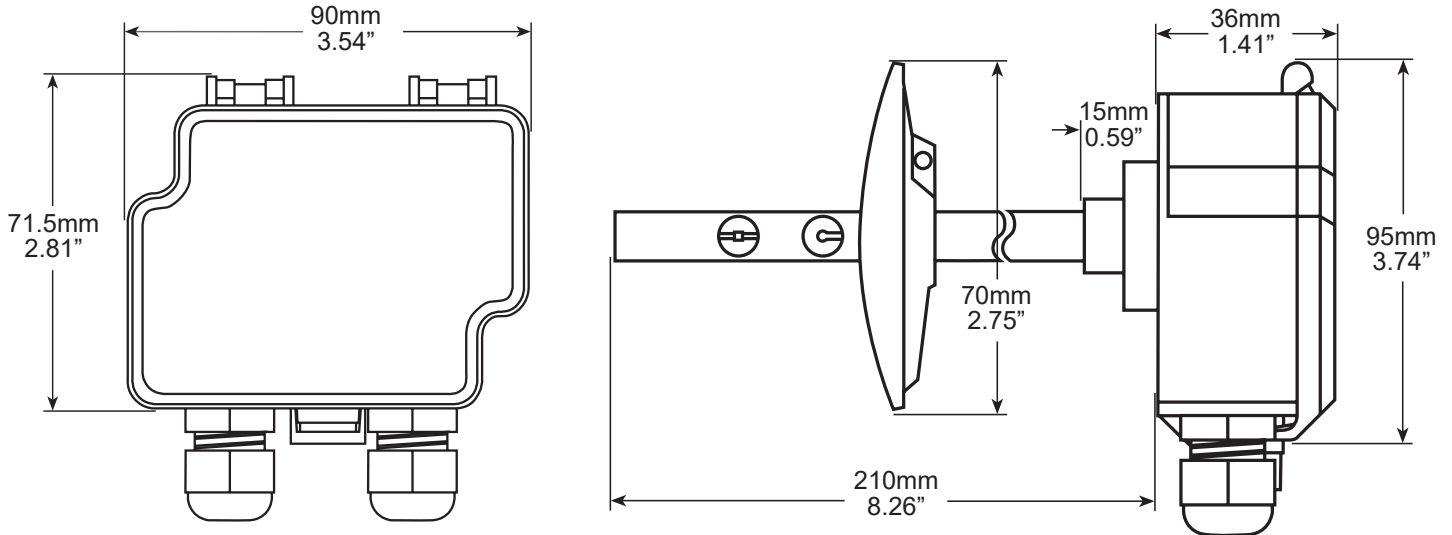
### APPLICATIONS

The HAVDT duct mount air velocity transmitter is designed for use with electronic controllers in domestic or commercial heating and cooling systems.

### SPECIFICATIONS

Velocity Ranges:.....	0-2m, 10 & 20m/s	Dimensions:.....	<b>Case:</b> 90mm W x 71.5mm H x 36mm D (3.5" x 2.8" x 1.4")
Metric Velocity Accuracy:.....	<b>Range - 0...2 m/s:</b> <0.2 m/s + 5% from reading		<b>Probe:</b> OD 10mm (0.394"), length 210mm (8.26") from bottom of cover
	<b>Range - 0...10 m/s:</b> <0.5 m/s + 5% from reading		
	<b>Range - 0...20 m/s:</b> <1.0 m/s + 5% from reading		
Thermal Shift:.....	±0.8 %FS / °C	Mounting:.....	Mounting flange, Ø4mm (11/64")
Calibration:.....	Units calibrated at 22°C (71.6°F)	Insertion Length:.....	Adjustable 50-180mm (2"-7.08") with Flange
	Rapid thermal shift stabilization time 10 min.	Electrical Connections.....	Power Supply & Signal Out: 4-screw terminal block
Temperature Range:.....	0 to 50°C (32 to 122°F)		12-24 AWG (0.2-1.5mm <sup>2</sup> )
Temperature Accuracy:.....	<0.5°C for velocity >0.5 m/s (<0.9°F for V > 100 fpm)		Relay Out: 3-screw terminal block
Operating Conditions:.....	0 to 50°C (32 to 122°F),		12-24 AWG (0.2-1.5 mm <sup>2</sup> )
	0 to 95 %RH, non-condensing	Cable Entry.....	M16 (0.625") cable gland
Storage Temperature:.....	-20 to 70°C (-2 to 158°F)	Weight.....	220g (7.76oz)
Media Compatibility:.....	Dry air or non-aggressive gases	Approvals.....	CE, RoHS
Output Signal 1 (Tout):.....	0-10 V (linear to temperature) L min 1K Ω	Country of Origin.....	Finland
	4-20 mA (linear to temperature) L max 200 Ω		
Output Signal 2 (Vout):.....	0-10 V (linear to m/s) L min 1K Ω		
	4-20 mA (linear to m/s) L max 400 Ω		
Power Supply:.....	24 Vdc / 24 Vac ±10%		
Current Consumption:.....	<b>Current:</b> 75 mA (90 mA with relay)		
	<b>Voltage:</b> 35 mA (90 mA with relay)		
Enclosure:.....	<b>Case:</b> ABS		
	<b>Cover:</b> Polycarbonate		
	<b>Ratings:</b> IP54 (NEMA 3)		
	<b>Probe:</b> 304 series stainless steel		
	<b>Mounting Flange:</b> LLPDP		

# HAVDTXX-EU Series of Duct Airflow Transmitter



Honeywell Building Solutions

Honeywell

North America:

1985 Douglas Drive North  
Golden Valley, MN 55422-3992  
+1-800-345-6770, ext. 606

Europe, Middle East, Africa & India:

Honeywell House  
Arlington Business Park  
Bracknell, United Kingdom RG12 1EB  
+44-(0)1344-656000

North Asia:

Zhang Jiang Hi-Tech Park  
No. 430 Li Bing Rd., Pudong New Area,  
Shanghai, 201203, China  
+86-21-2894-2000

South Asia Pacific:

2 Richardson Place  
Sydney NSW 2113  
+612-9353-7000

[www.honeywell.com](http://www.honeywell.com)

ORDERING: HAVDTXX-EU

Printed on recycled paper containing  
15% post-consumer waste.



April 2021  
© 2021 Honeywell International Inc.

**Honeywell**