

TR120 Touch Screen Zio® Wall Modules with Sylk™

Product Data



FEATURES

- The home screen can display one to three of any of the following parameters: Temperature Setpoint, Room Temperature, Room Humidity, Outdoor Humidity, Outdoor Temperature, and Time, or one of virtually any parameter in the controller.
- Vertical or horizontal orientation.
- Restricted tenant access to controller parameters or imposed HVAC settings limits via password protection.
- Assign labels for enumerated values.
- Link setpoint limits to a network variable.
- Access and adjust most parameters in the controller.
- Access and adjust the controller schedule.
- Balance the VAV system from the wall module.
- Permanent retention of user configuration, including setpoints after a power outage.

GENERAL

The TR120/TR120-H are color touch screen wall modules compatible with MERLIN NX and MERLIN NX Compact VAV controllers. The wall module communicates and is powered by the Sylk bus, so no additional wiring is needed. Both versions include integral temperature, while the TR120-H also features a humidity sensor to control comfort. The device enables local controller configuration through an easy-to-use touch screen interface with menu-driven selections.

Table 1. Models

Sylk Zio Wall Module	Temperature	Humidity	Features	Password-Protected Access	Customizable Parameters*	Schedule Access**
TR120	X	--	Color touch screen, temperature, override, setpoint, adjustment, fan	Contractor	X	X
TR120-H	X	X			X	X

*For accessing virtually any point in the controller, balancing from a wall module, etc.

**Schedule access for simplified commissioning or modification after installation.

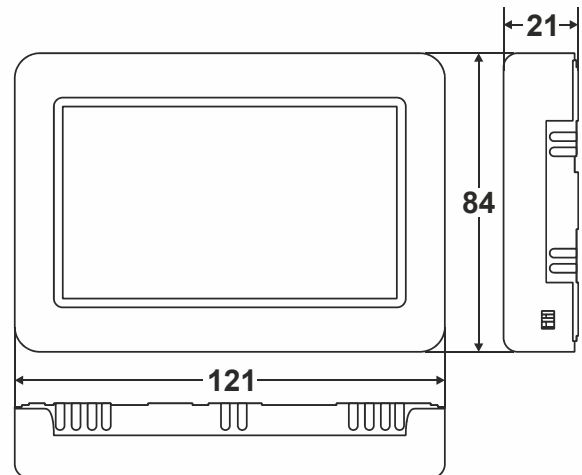


Fig. 1. Dimensions (in mm)

Sylk Bus

The wall module communicates with the controller via Sylk, which is a two-wire, polarity-insensitive bus that provides both 18 VDC power and communications. This enables a faster and less expensive installation all while minimizing errors. The recommended wire for Sylk is 0.82 to 0.20 mm² single twisted pair, solid or stranded wire, unshielded. Standard thermostat wire (non-twisted pair) can be used for runs up to 30 m. See Table 2.

Table 2. Maximum distance

Recommended maximum distance from controller to any Sylk device		
Single, twisted pair, non-shielded, stranded or solid		Standard thermostat wire (non-twisted), shielded or non-shielded, stranded or solid
0.82 ... 0.25 mm ²	0.2 mm ²	0.82 ... 0.2 mm ²
150 m	120 m	30 m

Compatibility

The TR120 wall module has been designed for use with MERLIN NX and MERLIN NX Compact VAV controllers. It can directly accept a TR71 or TR75 application download from the controller with no additional modifications needed.

A TR71, TR71-H, TR75, or TR75-H wall module wired to the controller in the field can be directly replaced by the TR120 or TR120-H; simply remove the old wall module and install the new wall module (including new backplate). The backplate sizes and mounting holes are identical. The TR120 will accept the TR71 or TR75 file configuration (proxy file) downloaded from the existing controller and provide exactly the same configuration and functionality in a nicer touch screen user interface.

SPECIFICATIONS

Display:

- Resistive LCD Touch Screen
- 109 mm diagonal
- 480 x 272 pixels

Environmental Ratings:

- Operating temperature: 0 ... +50 °C
- Storage temperature: -20 ... +70 °C
- Relative humidity: 5% to 95% non-condensing

Temperature Setpoint Range:

- Default range is +10 ... +35 °C
- Configurable for other ranges.

Temperature Sensor Accuracy:

- ±0.2 °C at 25 °C
- ±0.5 °C within operating range +5 ... +37 °C

Humidity Sensor Accuracy (TR120-H only):

- ±3% RH from 20% to 80% RH at temperatures +5 ... +50 °C

Power Supply/Consumption:

- 18 VDC from controller Sylk bus
- 50 mA maximum
- Maximum qty. (1) TR120 per Sylk bus


Mounting/Installation:

- Horizontal or vertical orientation
- 82.5 mm junction box
- 60 mm J-box
- UK pattress box
- Direct mount with suitable wall anchors

Approvals:

- CE
- FCC Part 15, Class B for emissions
- Canadian ICES-003

WEEE Directive

WEEE: Waste Electrical and Electronic Equipment Directive	
	<ul style="list-style-type: none"> ▪ At the end of the product life, dispose of the packaging and product in an appropriate recycling center. ▪ Do not dispose of the device with the usual domestic refuse. ▪ Do not burn the device.

Manufactured for and on behalf of the Connected Building Division of Honeywell Products and Solutions SARL, Z.A. La Pièce, 16, 1180 Rolle, Switzerland by its Authorized Representative:

Centraline
Honeywell GmbH
Böblinger Strasse 17
71101 Schönaich, Germany
Phone +49 (0) 7031 637 01
www.centraline.com

Subject to change without notice
EN0Z-1062GE51 R0420

**CENTRA[®]
LINE**
by Honeywell