

WEB-HMI7/CF

7" TFT

ARM Cortex - A53 Quad Core

3 Ethernet, 2 USB ports

- ▶ 7" TFT color display with a resolution of 800 × 480 pixel with 16M colors
- ▶ Dimmable LED backlight
- ▶ Projected capacitive touchscreen. True glass design. Resistant to scratches, UV radiation, and chemicals
- ▶ Multitouch operation
- ▶ Flush mounting for control cabinet installation
- ▶ IP66 from the front
- ▶ Operating temperature –20°C to +60°C
- ▶ 3 Ethernet ports
- ▶ 2 USB ports

Advantages

- ▶ High Cyber Security Level. Protection from unauthorized accesses
- ▶ Modern HTML5 Browser based on Linux
- ▶ High quality, industrial grade. Long life cycle > 10 year
- ▶ Controllers, HMI, and tools are harmonized and tested together
- ▶ HTML5 Chromium Browser to access CentraLine-Web-Server or ARENA NX

Applications

- ▶ Building automation
- ▶ Infrastructure automation
- ▶ OEM

Highlights

The WEB-HMIxx/CF Series HMI products combine state-of-the-art connectivity features and top performance in a appealing design.

They have been designed to offer an outstanding price/performance ratio for challenging applications.

They are the ideal choice for HMI applications including factory and building automation.

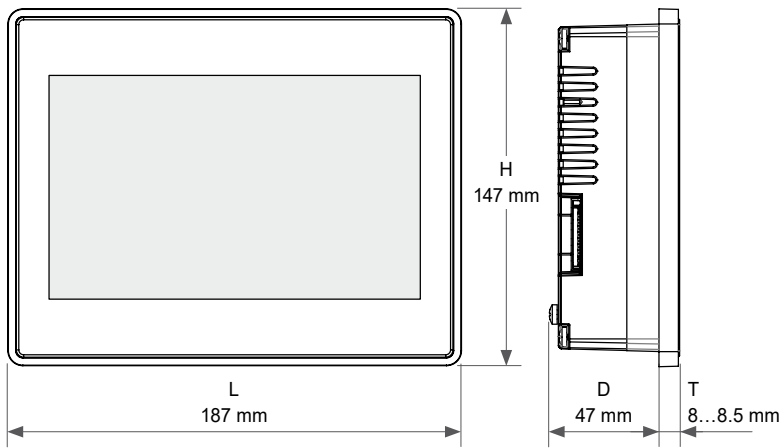
The glass-projected capacitive touchscreen and the brilliant 7"-wide screen display with resolution of 800 × 480 guarantee superior optical performance; with the support of multitouch gesture programming, a user-friendly human interface is obtained.



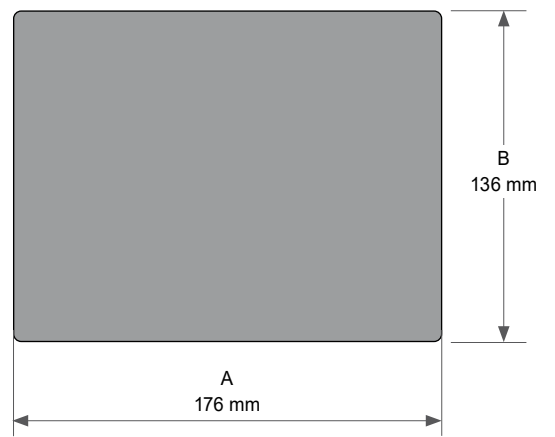
Technical Data

System Resources	
Display - Colors	7" TFT LED - 16M
Resolution	800 × 480, WVGA 15:9
Brightness	500 Cd/m ² typ.
Dimming	to 0%
Touchscreen	True Glass Projected Capacitive, Multitouch
CPU	i.MX8M Mini Quad ARM Cortex-A53
Operating System	Linux
RAM	2 GB
Flash	4 GB
Real Time Clock, RTC Back-up, Buzzer	Yes
Interface	
Ethernet port	3 (port 0 - 10/100/1000, port 1 - 10/100, port 2 - 10/100)
USB port	2 (Host V2.0, max. 500 mA)
Serial port	Not supported
SD card	Not supported
Expansion slots	Not supported
Ratings	
Power supply	24 Vdc (10 to 32 Vdc)
Current Consumption	0.7 A at 24 Vdc (max.)
Input Protection	Electronic
Battery	Rechargeable Lithium battery, not user-replaceable
Environment Conditions	
Operating Temp	–20 °C ... +60 °C (vertical installation) USB devices may limit max temperature to +50 °C
Storage Temp	–20 °C ... +70 °C
Operating / Storage Humidity	5 ... 85% RH, non condensing
Protection Class	IP66 (front), IP20 (rear)
Dimensions and Weights	
Faceplate L × H	187 × 147 mm (7.36 × 5.79")
Cutout A × B	176 × 136 mm (6.93 × 5.35")
Depth D + T	47 + 8 ... 8.5 mm (1.85 + 0.31 ... 0.33")
Weight	1.5 kg
Approvals	
CE	Emission EN 61000-6-4, Immunity EN 61000-6-2 for installation in industrial environments
UL	UL 61010-1, 3rd Edition and UL 61010-2-201, 1st Edition

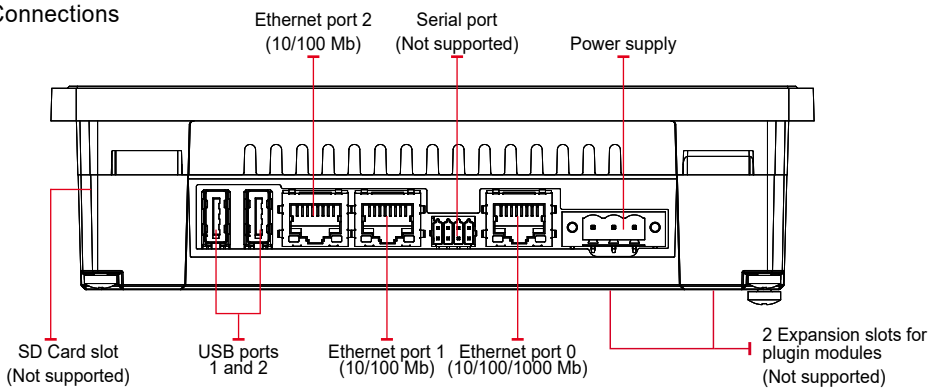
Dimensions



Cut-out



Connections



Ordering information

Part Number	Type	Description
WEB-HMI7/CF	7" HTML5 Web Panel, capacitive touch	7" HTML5 Web Panel, TFT color, 800 × 480 pixel, capacitive multi touch screen, 3 Ethernet port, 2 USB host port



Manufactured for and on behalf of the Connected Building Division of Honeywell Products and Solutions Sàr, Rolle, Z.A. La Pièce 16, Switzerland by its Authorized Representative:

CentraLine - Honeywell GmbH

Böblinger Strasse 17
71101 Schönaich, Germany.
www.centraline.com

Subjects to change without notice

® U.S. Registered Trademark
© 2021 Honeywell International Inc.

EN0Z-1066GE51 | R0621

Honeywell | Partner Channel