

WEB-HMI4/C

4.3" TFT

ARM Cortex A8 – 1 GHz

- ▶ 4.3" TFT color display
- ▶ LED backlight
- ▶ 480 × 272 pixel (WVGA) resolution
64K colors
- ▶ Resistive touchscreen
- ▶ Ethernet port
- ▶ USB port



Applications

- ▶ Building automation
- ▶ Infrastructure automation
- ▶ OEM

Highlights

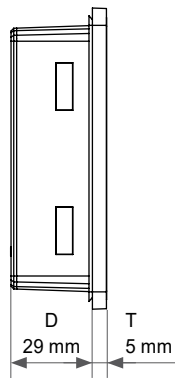
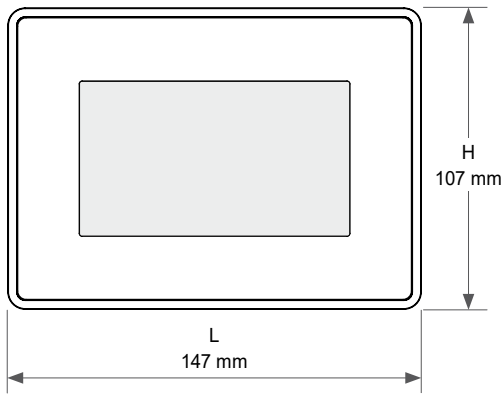
They have been designed to offer an outstanding price/performance ratio for challenging applications. They are the ideal choice for HMI applications including factory and building automation. WEB-HMIxx/C features a bright 4.3" TFT widescreen (16:9) display with a fully dimmable LED backlight.

It is an effective platform for running browser applications in the industrial environment. The powerful CPU and the efficient Linux with realtime extensions guarantee and optimal performance under the most demanding conditions.

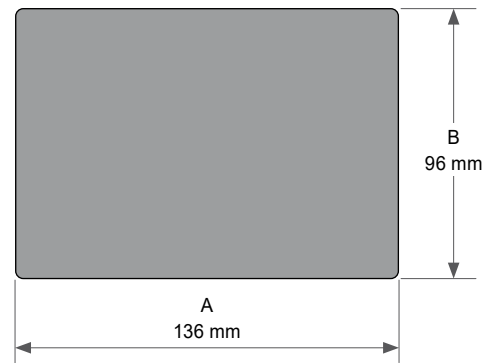
Technical Data

System Resources	
Display - Colors	4.3" TFT - 64K
Resolution	480 × 272 - 16:9
Brightness	200 Cd/m ² typ.
Dimming	Yes
Touchscreen	Resistive
CPU	ARM Cortex-A8 - 1 GHz
Operating System	Linux
RAM	512 MB
Flash	4 GB
Real Time Clock, RTC Back-up, Buzzer	Yes, Yes, Yes
Interface	
Ethernet port	1 (port 0 - 10/100)
USB port	1 (Host V2.0, max. 500 mA)
Serial port	Not supported
SD card	Not supported
Expansion slots	Not supported
Ratings	
Power supply	24 Vdc (10 to 32 Vdc)
Current Consumption	0.25 A at 24 Vdc (max.)
Input Protection	Automatica
Battery	Si (con supercondensatore)
Environment Conditions	
Operating Temp	0 °C ... +50 °C
Storage Temp	-20 °C ... +70 °C
Operating / Storage Humidity	5 ... 85% RH, non condensing
Protection Class	IP66 (front), IP20 (rear)
Dimensions and Weights	
Faceplate L × H	147 × 107 mm (5.78 × 4.21")
Cutout A × B	136 × 96 mm (5.35 × 3.78")
Depth D + T	29 + 5 mm (1.14 + 0.19")
Weight	Approx 0.4 Kg
Approvals	
CE	Emission EN 61000-6-4, Immunity EN 61000-6-2 for installation in industrial environments. Emission EN 61000-6-3, Immunity EN 61000-6-1 for installation in residential environments
UL	ANSI/UL 508

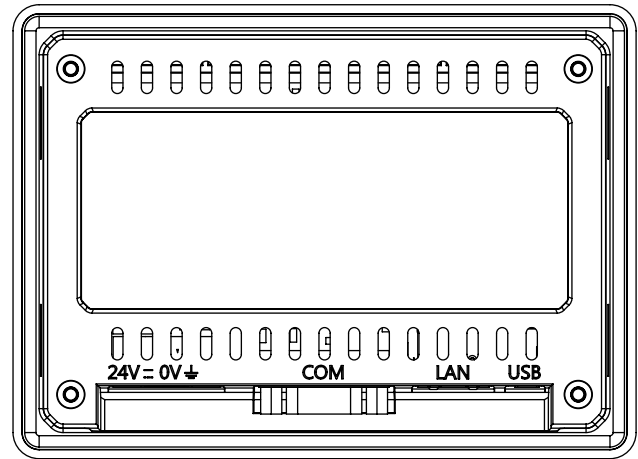
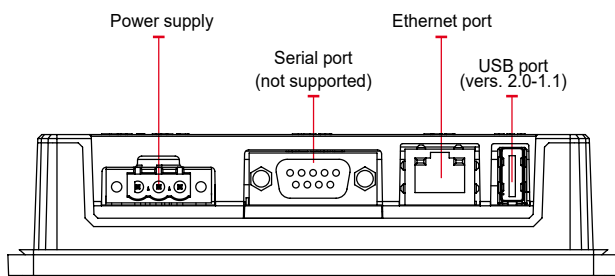
Dimensions



Cut-out



Connections



Ordering information

Part Number	Type	Description
WEB-HM4/C	4.3" HTML5 Web Panel, resistive touch	4.3" HTML5 Web Panel, TFT color, 480 × 272 pixel, resistive touch screen, 1 Ethernet port, 1 USB host port



Manufactured for and on behalf of the Environmental and Energy Solutions Controls Division of Honeywell Technologies Sàrl, Rolle, Z.A. La Pièce 16, Switzerland by its Authorized Representative:

For more information

cl_technik@honeywell.com

Centraline - Honeywell GmbH

Böblinger Strasse 17
 71101 Schönaich, Germany
 Phone +49 (0) 7031 637 845
 Fax +49 (0) 7031 637 740
info@centraline.com
www.centraline.com

Subjects to change without notice

® U.S. Registered Trademark
 © 2020 Honeywell International Inc.

EN0Z-1067GE51 | R0820

Honeywell | Partner Channel