

HCEDT-EU Series of Duct Carbon Dioxide Sensor



The HCEDT-EU uses a highly accurate and reliable non-dispersive infrared (NDIR) sensor in a duct mount enclosure to monitor return air CO₂ levels for indoor applications. The compact dual channel CO₂ sensor achieves excellent performance characteristics, including high accuracy and low power consumption to ensure stable long term operation. A weatherproof, Polycarbonate enclosure is provided for electrical connections.

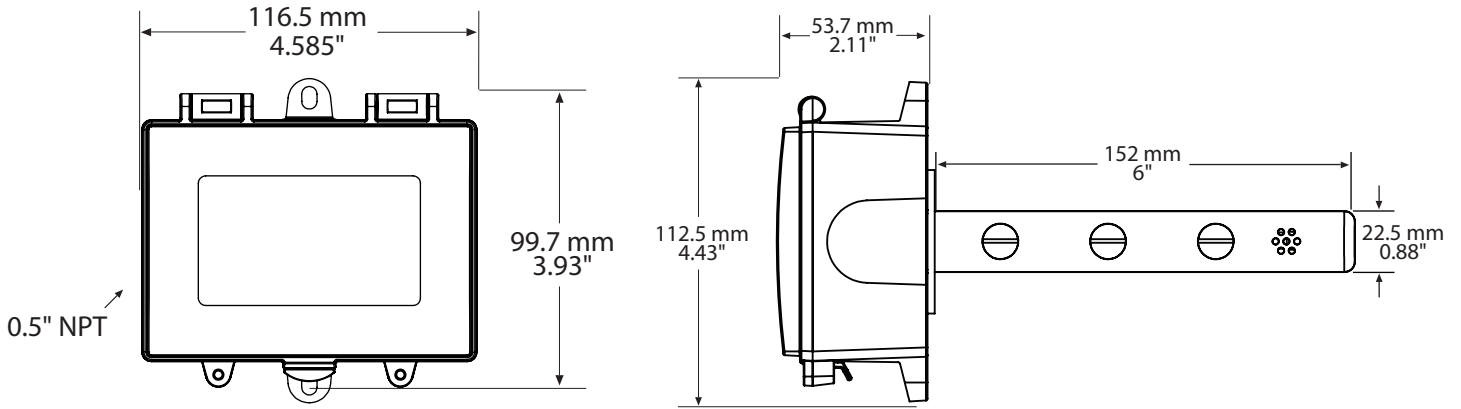
APPLICATIONS

The HCEDT-EU duct mount CO₂ sensor is designed for use with electronic controllers in domestic or commercial heating and cooling systems.

SPECIFICATIONS

CO ₂ Sensor:.....	Dual channel non-dispersive infrared (NDIR)	Wiring Conditions:	Screw terminal block (14-22 AWG)
Range	0-2000 ppm	Enclosure:.....	Polycarbonate, UL94-V0, IP65 (NEMA 4X) Includes thread adapter (1/2" NPT to M16) and cable gland fitting
Accuracy:.....	± (30ppm +3% of reading)	Probe Dimensions:	152 mm Long x 21.5 mm Diameter (6" x 0.88")
Temperature Dependency:	±2.5 ppm/°C	Temperature Sensor:	20,000 Ω NTC Thermistor, ±0.2°C
Response Time:.....	20 seconds (T63)	Approvals:.....	CE, RoHS
Warm-up Time:	1 minute	Country of Origin:	Canada
Sensor Life Span:.....	> 15 years		
Power Supply:	24 Vac/dc ± 15% (non-isolated half-wave rectified)		
Consumption:	80 mA max @ Vdc, 160 mA max @ 24 Vac		
Protection Circuitry:	Reverse voltage and transient protected		
Output Signals:	4-20 mA, 0-5 Vdc, 0-10 Vdc (field selectable)		
Drive Capability:	Current: 600Ω max @ 24 Vdc Voltage: 10KΩ min		
Operating Conditions:.....	0 to 50°C (32 to 122°F), 0-90 %RH, non-condensing		
Storage Conditions:.....	-40 to 70°C (-40 to 158°F) 0-85 %RH non-condensing		

HCEDT-EU Series of Duct Carbon Dioxide Sensor



Honeywell Building Solutions

Honeywell

North America:

1985 Douglas Drive North
Golden Valley, MN 55422-3992
+1-800-345-6770, ext. 606

Europe, Middle East, Africa & India:

Honeywell House
Arlington Business Park
Bracknell, United Kingdom RG12 1EB
+44-(0)1344-656000

North Asia:

Zhang Jiang Hi-Tech Park
No. 430 Li Bing Rd., Pudong New Area,
Shanghai, 201203, China
+86-21-2894-2000

South Asia Pacific:

2 Richardson Place
Sydney NSW 2113
+612-9353-7000

www.honeywell.com

ORDERING: HCEDTF20-EU

Printed on recycled paper containing
15% post-consumer waste.



April 2021
© 2021 Honeywell International Inc.

Honeywell