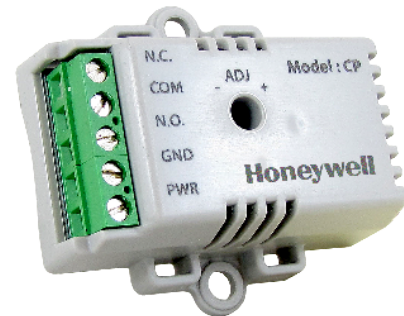


HCP00-EU Series of Condensation Prevention Sensor



The HCP00-EU Condensation Prevention sensor uses a field-proven humidity sensor combined with a tightly-coupled precision thermistor to provide early warning of condensing conditions in chilled beam / ceiling applications and prevent “indoor rain” condensation.

The sensor can also be used in any heating, ventilation or air conditioning application to where condensation must be avoided.

APPLICATIONS

The HCP00-EU condensation prevention sensor is designed for use with electronic controllers in domestic or commercial heating and cooling systems.

SPECIFICATIONS

SENSOR

Temperature Accuracy:..... $\pm 0.2^{\circ}\text{C}$ ($\pm 0.4^{\circ}\text{F}$), 0 to 50°C (32 to 122°F)

Humidity Accuracy: $\pm 3\%$ RH @ 90 %RH

Response Time:..... <1 second

Setpoint Range:..... $\pm 2^{\circ}\text{C}$ (dewpoint)

Alarm Contact Rating: Form C (NO + NC), 1 A @ 24 Vac/dc

Alarm Hysteresis: 1 minute delay on alarm to prevent false alarms

ENCLOSURE

Dimensions:..... 56mm x 50mm x 21mm

Material:..... Grey ABS

Ratings: IP30 (NEMA 1)

Weight: 35 grams

GENERAL

Power Supply: 5 to 28 Vac/dc

Consumption: 3 mA max @ 24 Vdc max

Operating Conditions:..... 0 to 50°C (32 to 122°F)

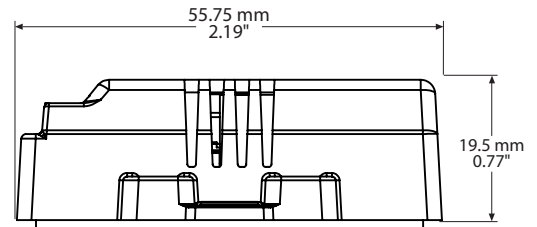
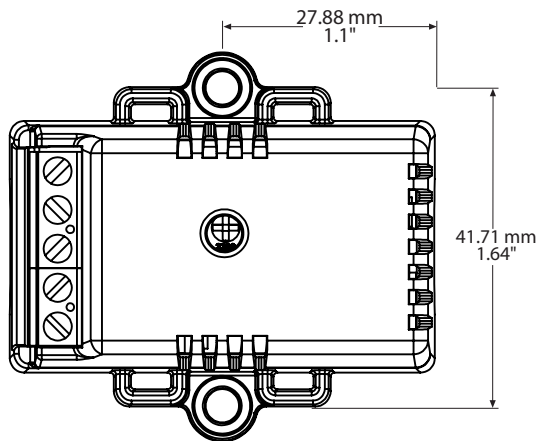
5 to 95 %RH non-condensing

Storage Conditions: -30 to 70°C (-22 to 158°F)

Wiring Connections: 14-22 AWG terminal block

Country of Origin: Canada

HCP00-EU Series of Condensation Prevention Sensor



Honeywell Building Solutions

Honeywell

North America:

1985 Douglas Drive North
Golden Valley, MN 55422-3992
+1-800-345-6770, ext. 606

Europe, Middle East, Africa & India:

Honeywell House
Arlington Business Park
Bracknell, United Kingdom RG12 1EB
+44-(0)1344-656000

North Asia:

Zhang Jiang Hi-Tech Park
No. 430 Li Bing Rd., Pudong New Area,
Shanghai, 201203, China
+86-21-2894-2000

South Asia Pacific:

2 Richardson Place
Sydney NSW 2113
+612-9353-7000

www.honeywell.com

ORDERING: HCP00-EU

Printed on recycled paper containing
15% post-consumer waste.



April 2021
© 2021 Honeywell International Inc.

Honeywell