



CRRS-MODA Reversing Relay/ Synchronization Module

The CRRS-MODA reversing relay/synchronization module enhances the operation of 2- and 4-wire i³™ Series detectors equipped with a sounder.



Features

- Is compatible with 2- and 4-wire i³ detectors equipped with a sounder
- Activates all i³ sounders on a loop when one alarms
- Synchronizes all i³ sounders on the loop for a clear alarm signal
- Is usable with bell/alarm, alarm relay, or NAC outputs
- Has a field-selectable switch to accommodate both coded and continuous alarm signals
- Allows i³ detector silencing from the panel or keypad
- Operates on 12 and 24 volt systems
- Simplifies connections with quick-connect harness and color-coded wires

Installation ease. The CRRS-MODA reversing relay/synchronization module includes a Velcro® attachment for easy installation into the fire alarm control panel cabinet. A quick-connect harness and color-coded wires simplify connections.

Intelligence. The CRRS-MODA module's design is flexible to accommodate virtually any application. It is compatible with both 2- and 4-wire i³ Series detectors operating over 12 V and 24 V systems. The module can be used with either bell/alarm, alarm relay, or NAC outputs, and its field selectable switch accommodates both coded and continuous alarm signals.

Instant inspection. To meet fire alarm requirements, the CRRS-MODA reversing relay/synchronization module activates all i³ sounders on a loop when an individual sounder alarms. Additionally, it synchronizes the output of the i³ sounders, regardless of whether the panel's alarm signal is continuous or coded, to ensure a clear alarm signal.

Agency Listings



CRSS-MODA Specifications

Architectural/Engineering Specifications

Reversing relay/synchronization module shall be a System Sensor i³ Series model number CRSS-MODA, listed to Underwriters Laboratories of Canada as a smoke detector accessory. The module shall allow all 2-wire and 4-wire i³ Series detectors equipped with a sounder on a loop to sound when one alarms. The module shall provide a switch to toggle between coded mode and continuous mode. When in coded mode, the module shall synchronize the i³ sounders on the loop to mirror the input signal. When in continuous mode, the module shall synchronize the i³ sounders on the loop to the ANSI S3.41 temporal coded pattern. In either coded or continuous modes, the module shall permit sounders to be silenced at the panel. The module shall operate between 8.5 and 35 VDC, and shall provide 18 AWG stranded, tinned conductors connected to a quick-connect harness.

Physical Specifications

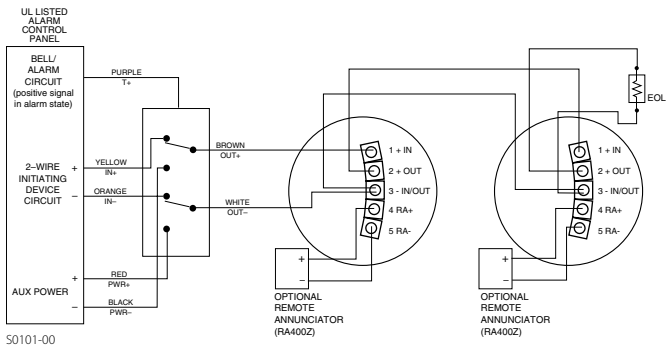
Dimensions	2.5 in H x 2.5 in W x 1 in D (63 mm x 63 mm x 25 mm)
Operating Temperature Range	32°F to 131°F (0°C to 55°C)
Wire Connections	18 AWG stranded, tinned, 16 in length
Operating Humidity Range	5% to 85% non-condensing

Electrical Specifications

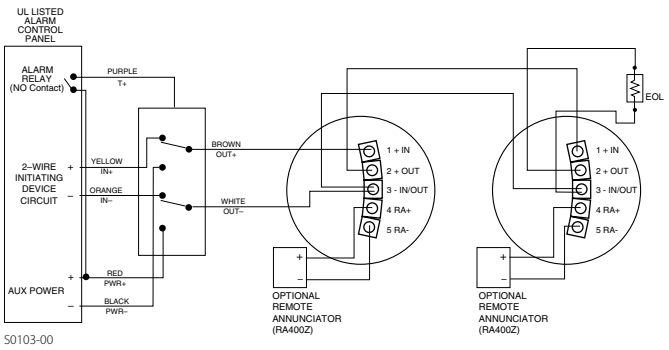
Operating Voltage	Nominal: 12/24 V Min: 8.5 V Max: 35 V
Average Operating Current:	25 mA
Relay Contact Rating	2 A @ 35 VDC

Wiring Diagrams

NOTE: These diagrams represent two common wiring methods. Refer to the CRSS-MODA installation manual for additional wiring configurations.



2-Wire System Triggered from Alarm/Bell Circuit



2-Wire System Triggered from Alarm Relay Contact

Ordering Information

Part No.	Description
CRSS-MODA	Reversing relay/synchronization module for i ³ Series smoke detectors



6581 Kitimat Rd. Unit 6 • Mississauga, ON L5N 3T5
Phone: 800-SENSOR2 • Fax: 905-812-0771

©2007 System Sensor.
Product specifications subject to change without notice. Visit systemsensor.com for current product information, including the latest version of this data sheet.
A05-0350-001 • 8/07 • #1676