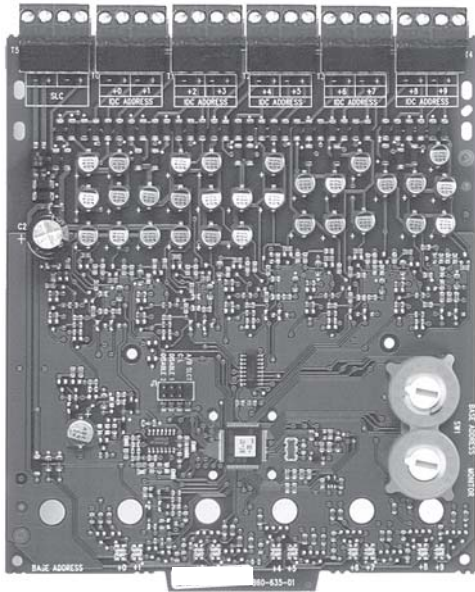


PIM-SS

Ten-Input Monitor Module



Description

Gamewell's SmartScan™ **PIM-SS ten-input monitor module** provides an interface between a control panel and normally open contact devices in intelligent alarm systems such as conventional pull stations and heat detectors.

The first address on the PIM-SS is set from 01 to 90 and the remaining modules are automatically assigned to the next nine higher addresses. Provisions are included for disabling a maximum of two unused addresses.

The supervised state (normal, open, or short) of the monitored device is

sent back to the panel. A common SLC input is used for all modules, and the initiating device loops share a common supervisory supply and ground — otherwise each monitor operates independently from the others.

Each PIM-SS module has panel-controlled green LED indicators. The panel can cause the LEDs to blink, latch on, or latch off.

Product Line Information

PIM-SS: Ten-input monitor module.

BB-25: Optional cabinet for up to six modules mounted on CHS-6 chassis (*below*). **Dimensions, DOOR:** 24.0" (60.96 cm) wide x 12.632" (32.0852 cm) high, x 1.25" (3.175 cm) deep, hinged at bottom; **BACKBOX:** 24.0" (60.96 cm) wide x 12.550" (31.877 cm) high x 5.218" (13.2537 cm) deep.

CHS-6: Chassis, mounts up to six modules in a BB-25 cabinet.

Features

- Ten addressable Class B or five addressable Class A initiating device circuits.
- Removable 12 AWG (3.25 mm²) to 18 AWG (0.9 mm²) plug-in terminal blocks.
- Use with Gamewell's IF602, 610, 632, 654 and 658 with SmartScan™ loop card.
- Status indicators for each point.
- Unused addresses may be disabled.
- Rotary address switches.
- Class A or Class B operation.
- Mount one or two modules in a BB-XP cabinet (optional).
- Mount up to six modules on a CHS-6 chassis in a BB-25 cabinet (optional).
- Mounting hardware included.

Listings

Listings and approvals below apply to the PIM-SS Ten-Input Monitor Module. In some cases, certain modules may not be listed by certain approval agencies, or listing may be in process. Consult factory for latest listing status.

- UL Listed: file S521.
- CSFM approved:
file 7300-1288:169.
- MEA approved:
file 368-01-E Vol. II.

Specifications

Standby current: 3.5 mA (SLC current draw with all addresses used; if some addresses are disabled, the standby current decreases).

Alarm current: 55 mA (assumes all ten LEDs solid ON).

Temperature range: 32°F to 120°F (0°C to 49°C) for UL applications

Humidity: 10% to 85% noncondensing for UL applications

Dimensions: 6.8" (172.72 mm) high x 5.8" (147.32 mm) wide x 1.25" (31.75 mm) deep.

Shipping weight: 1.1 lb. (0.499 kg) including packaging.

Mounting options: CHS-6 chassis, BB-25 cabinet, or suitably grounded metallic cabinet.

Wire gauge: 12 AWG (3.25 mm²) to 18 AWG (0.9 mm²).

Power-limited circuits must employ type FPL, FPLR, or FPLP cable as required by Article 760 of the NEC.

PIM-SS is shipped in Class B position; remove shunt for Class A operation.

Maximum IDC wiring resistance: 1500 ohms.

Maximum IDC voltage: 12 VDC.

Maximum IDC current: 1 mA.

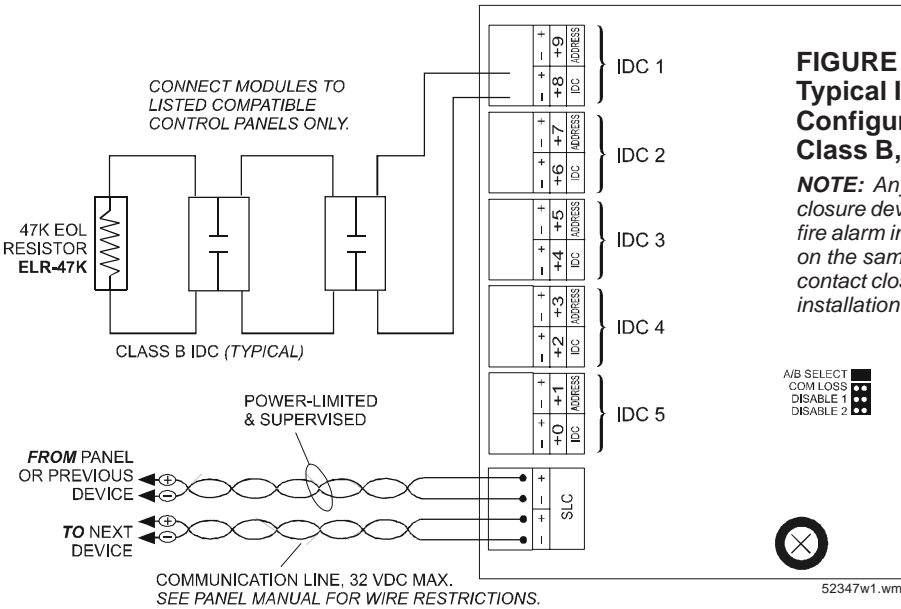


FIGURE 1:
Typical Initiating Device Circuit Configuration — Class B, Style B.

NOTE: Any number of UL-Listed contact closure devices may be used. **DO NOT MIX** fire alarm initiating and supervisory devices on the same initiating device circuit. Install contact closure devices per manufacturer's installation instructions.

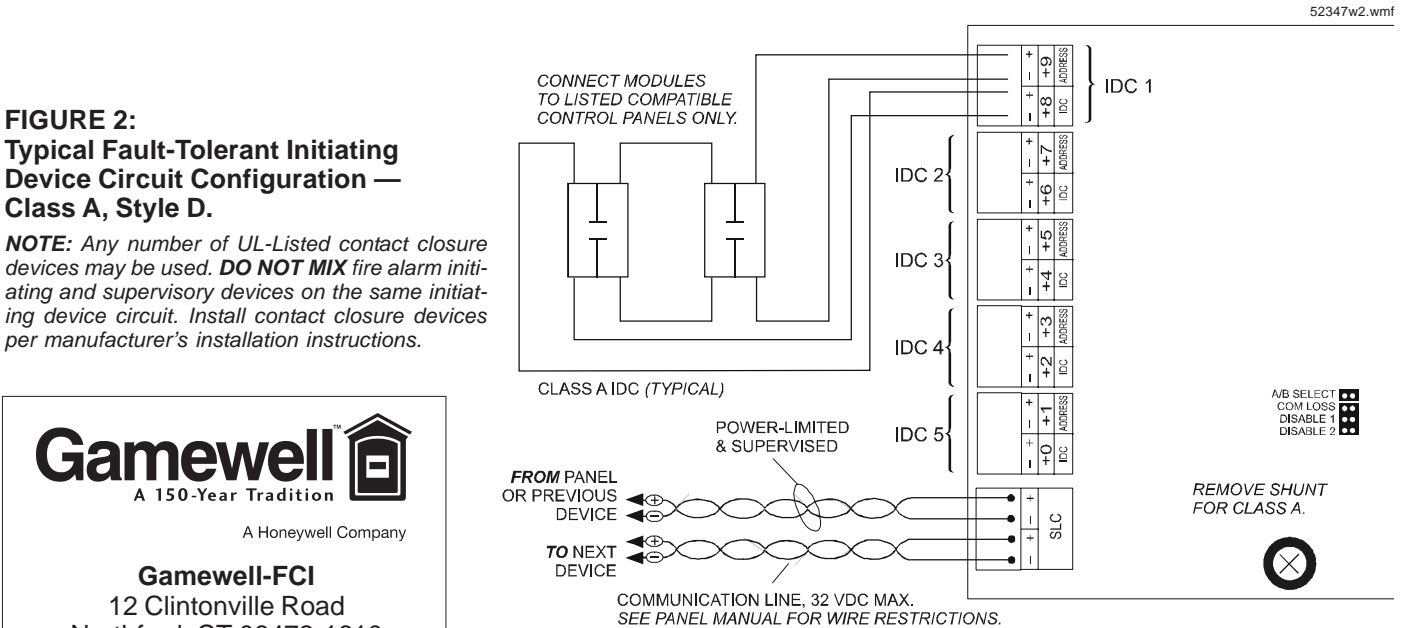


FIGURE 2:
Typical Fault-Tolerant Initiating Device Circuit Configuration — Class A, Style D.

NOTE: Any number of UL-Listed contact closure devices may be used. **DO NOT MIX** fire alarm initiating and supervisory devices on the same initiating device circuit. Install contact closure devices per manufacturer's installation instructions.



Gamewell-FCI
12 Clintonville Road
Northford, CT 06472-1610
Phone: 203-484-7161
Fax: 203-484-7118
www.gamewell-fci.com

A Honeywell Company
© 2006 Gamewell-FCI

Specifications and wiring information are provided for information only and are believed to be accurate. Gamewell-FCI assumes no responsibility for their use. Data and design are subject to change without notice. Installation and wiring instructions shipped with the product shall always be used for actual installation. For more information, contact Gamewell-FCI.