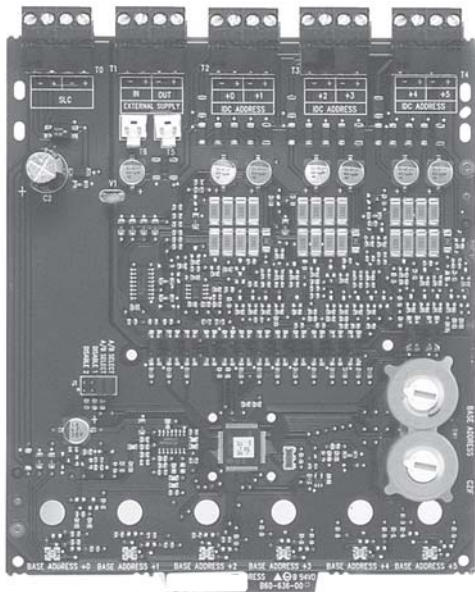


CZM-SS

Six-Zone Addressable Interface Module



Description

Gamewell's **CZM-SS SmartScan™ six-zone interface module** provides an interface between the intelligent alarm system and a two-wire conventional detection zone. A common SLC input is used for all modules, and the initiating device circuits share a common external supervisory supply and ground. Otherwise, each module operates independently from the others.

The first module is addressed from 01 to 94 while the remaining modules are automatically assigned to the next five higher addresses. Provisions are included for disabling a maximum of two unused modules. All two-wire detectors being monitored must be two-wire UL compatibility listed with the modules. The

CZM-SS transmits the status of a zone of two-wire detectors to the fire alarm control panel. Status conditions are reported as normal, open, or alarm. The interface module supervises the zone of detectors and the connection of the external power supply.

Each CZM-SS module has panel-controlled bicolor LED indicators. The panel can cause the LEDs to blink, latch on, or latch off.

Product Line Information

CZM-SS: Six-zone conventional-detector interface module.

BB-XP: Optional cabinet for one or two modules. **Dimensions, DOOR:** 9.234" (23.454 cm) wide (9.484" [24.089 cm] including hinges), x 12.218" (31.0337 cm) high, x 0.672" (1.7068 cm) deep; **BACKBOX:** 9.0" (22.860 cm) wide (9.25" [23.495 cm] including hinges), x 12.0" (30.480 cm) high x 2.75" (6.985 cm); **CHASSIS (installed):** 7.150" (18.161 cm) wide overall x 7.312" (18.5725 cm) high interior overall x 2.156" (5.4762 cm) deep overall.

BB-25: Optional cabinet for up to six modules mounted on CHS-6 chassis (*below*). **Dimensions, DOOR:** 24.0" (60.96 cm) wide x 12.632" (32.0852 cm) high, x 1.25" (3.175 cm) deep, hinged at bottom; **BACKBOX:** 24.0" (60.96 cm) wide x 12.550" (31.877 cm) high x 5.218" (13.2537 cm) deep.

CHS-6: Chassis, mounts up to six modules in a BB-25 cabinet.

Features

- Six addressable Class B or three addressable Class A initiating device circuits.
- Removable 12 AWG (3.1 mm²) to 18 AWG (0.78 mm²) plug-in terminal blocks.
- Status indicators for each point.
- Unused addresses may be disabled.
- Rotary address switches.
- Compatible with Gamewell's 602, 610, 632, 654 and 658 FACPs with SmartScan™ SLC.
- Mount one or two modules in a BB-XP cabinet (optional).
- Mount up to six modules on a CHS-6 chassis in a BB-25 cabinet (optional).
- Mounting hardware included.

Listings

Listings and approvals below apply to the CZM-SS Six-Zone Addressable Interface Module. In some cases, the module may not be listed by certain approval agencies, or listing may be in process. Consult factory for latest listing status.

- UL Listed: file S521.
- CSFM approved: file 7300-1288:169.
- MEA approved: file 368-01-E Vol.II.



Specifications

Standby current

2.0 mA (SLC current draw with all addresses used; if some addresses are disabled, the standby current decreases).

Alarm current

40 mA (assumes all six LEDs solid ON).

Temperature range

32°F to 120°F (0°C to 49°C).

Humidity

10% to 85% noncondensing.

Dimensions

6.8" (172.72 mm) high x 5.8" (147.32 mm) wide x 1.25" (31.75 mm) deep.

Shipping weight

1.1 lb. (0.499 kg) including packaging.

Mounting options

CHS-6 chassis, BB-25 cabinet, or BB-XP cabinet.

Wire gauge

12 AWG (3.1 mm²) to 18 AWG (0.78 mm²).

CZM-SS is shipped in Class B position.

Remove shunt for Class A operation.

External supply voltage

DC voltage: 18 – 28 volts power-limited (19 – 28 VDC when used with MTL isolator, model MTL 3043, in intrinsically safe applications).

Ripple voltage: 0.1 V_{RMS} maximum.

External supply current: 90 mA maximum per address in alarm. In Class B operation, 540 mA maximum for all six addresses in alarm. In Class A operation, 270 mA maximum for all three addresses in alarm.

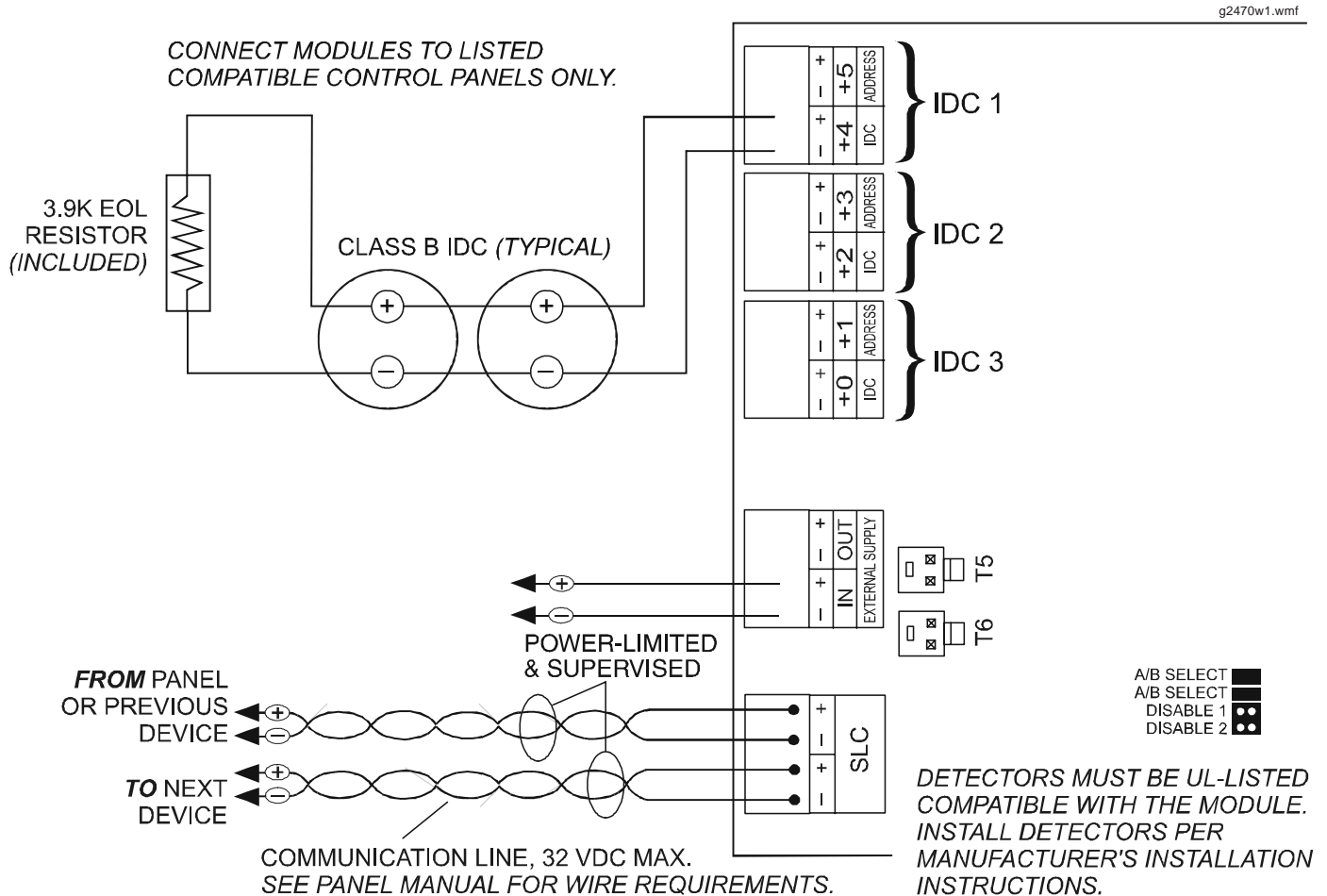
Compatible detectors

Contact Gamewell.

Wiring Diagrams

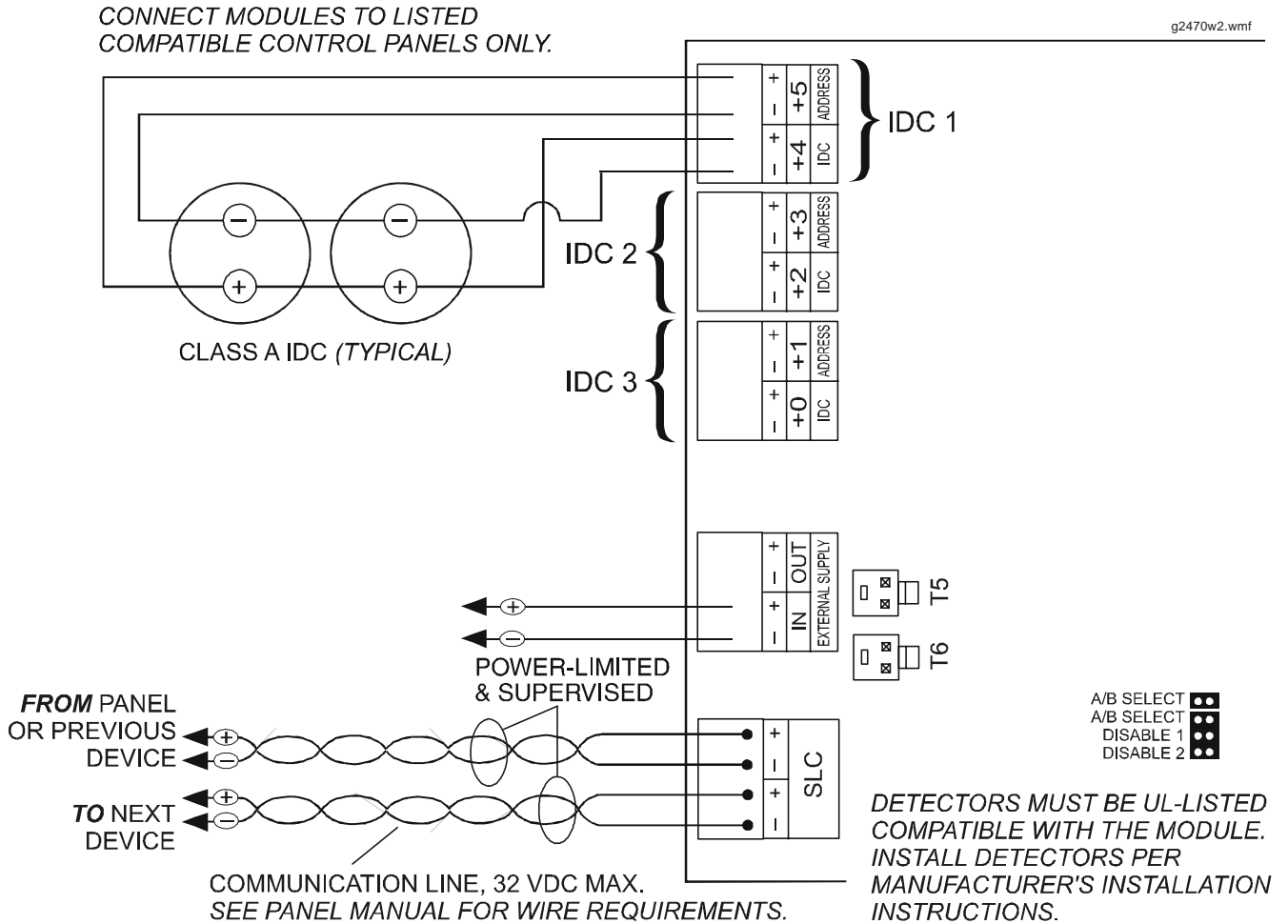
FIGURE 1:
Interface Two-Wire Conventional Detectors — Class B, Style B

NOTE: To use a common power supply between multiple CZM-SS modules, connect a long power supply jumper from T5 (or T6) to T5 (or T6) on the adjacent CZM-SS module.



**FIGURE 2:
Interface Two-Wire Conventional Detectors —
Class A, Style D**

NOTES: 1) To select Class A, remove the two shunts from the "A/B Select" positions. 2) To use a common power supply between multiple CZM-SS modules, connect a long power supply jumper from T5 (or T6) to T5 (or T6) on the adjacent CZM-SS module.





A Honeywell Company

Gamewell-FCI

12 Clintonville Road
Northford, CT 06472-1610
Phone: 203-484-7161
Fax: 203-484-7118
www.gamewell-fci.com

A Honeywell Company
© 2006 Gamewell-FCI

Specifications and wiring information are provided for information only and are believed to be accurate. Gamewell-FCI assumes no responsibility for their use. Data and design are subject to change without notice. Installation and wiring instructions shipped with the product shall always be used for actual installation. For more information, contact Gamewell-FCI.