



www.firelite.com

July 13, 2004

DF-51500 •B-400

# LED-10 Series

## Remote LED Fire Annunciators for use with MS-5210UD

Section: Annunciators

### GENERAL

The Fire•Lite LED-10 Series are compact, cost-effective LED Fire Annunciators for use with the MicroScan-5210UD ten-zone Fire Alarm Control/Communicator. The LED-10 Series consists of three models: the basic LED-10, the low-cost LED-10L and the Canadian LED-10LS2. The LED-10(L) is capable of illuminating Alarm (red) and Trouble (yellow) LEDs for all ten Initiating Device Circuits (IDCs). The LED-10LS2 is primarily designed for Canadian applications, and includes two yellow LEDs on zones 9 and 10 for annunciating supervisory conditions. The LED-10 Series also provides system status LEDs to display Power (green), Alarm (red), Trouble (yellow), Supervisory (yellow) and Signals Silenced (yellow). Remote control of critical system functions, such as Reset, Silence, Acknowledge and Drill, can be accomplished with the model LED-10 only.

### FEATURES

- Control Switches for System Acknowledge, Signal Silence, Drill and Reset with enable key are included on model LED-10 only (shown).
- All models include system status LEDs for Power (green), Alarm (red), Trouble (yellow), Supervisory (yellow) and Signals Silenced (yellow).
- No programming necessary.
- Aesthetically pleasing, semi-flush-mount design.
- Serial EIA-485 interface for reduced installation cost (see reverse side for wiring diagram).
- May be powered by 24 VDC from the host FACP or by remote power supplies (requires filtered, regulated power).
- Up to 32 LED-10 Series annunciators per MS-5210UD.
- Plug-in terminal blocks for ease of installation and service.
- Can be remotely located up to 6,000 feet from host control panel.
- Local piezo sounder with alarm and trouble resound.
- **Semi-flush-mounts** to 2-3/16" deep (minimum), three-gang electrical box (Fire•Lite P/N 10103 or equivalent); or **surface-mounts** to Fire•Lite SBB-3 surface backbox.

### OPERATION

The LED-10 Series annunciators provide the MS-5210UD Conventional Fire Alarm Control/Communicator with a series of annunciators meeting most applications. All models provide an array of LEDs to indicate system status, while the LED-10 includes control switches for remote control of critical system functions.

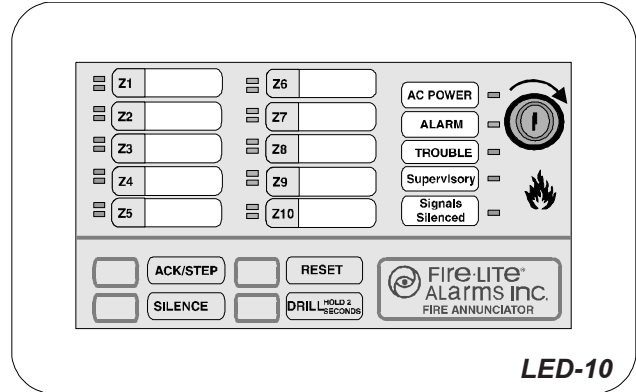
The LED-10 Series annunciators provide the MS-5210UD with up to 32 remote serially connected annunciators. All field-wiring terminations on the LED-10 Series use removable, compression-type terminal blocks for ease of wiring and circuit testing.

Communications between the FACP and the annunciators are accomplished over an EIA-485 serial interface, greatly



California State Fire Marshal  
7120-0075:171

**MEA**  
122-96-E Vol. II



reducing wire and installation cost over traditional systems. Four wires total are required: two for the EIA-485 communications in (twisted-pair) and two for 24 VDC regulated power. Dip switches control local functions such as: piezo disable, control switches/key-switch disable, transmit/receive mode. Annunciators may be powered from the host MS-5210UD (up to 7) or remote power supplies (requires filtered, regulated power).

### PRODUCT LINE INFORMATION

- LED-10** Remote LED-type fire annunciator with ten Alarm (red) and Trouble (yellow) LEDs for displaying initiating device circuit (zone) status. Includes control switches for remote control of critical system functions and key switch lock.
- LED-10LS2** Same as LED-10 without control switches and key switch lock, and with dual yellow LEDs for zones 9 and 10 to annunciate supervisory (only) conditions (*Canadian Supervisory Service requirement*).
- LED-10IM** LED-10 Interface Module (one required per MS-5210UD; supports up to 32 LED-10's).
- 10103** Three-gang electrical box, 2-3/16" (min.) deep, for semi-flush-mount application.
- SBB-3** Three-gang surface backbox for surface-mount applications.

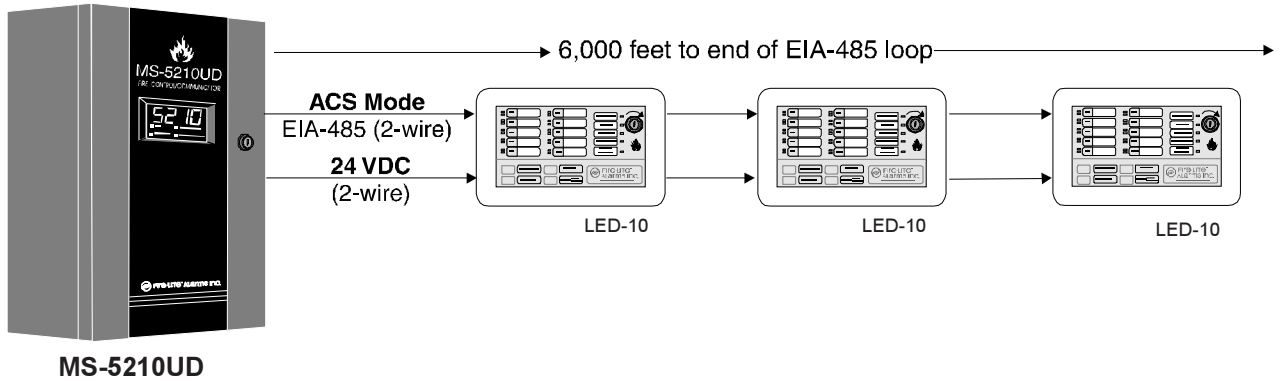
Fire•Lite® Alarms is a Honeywell company.

This document is not intended to be used for installation purposes. We try to keep our product information up-to-date and accurate. We cannot cover all specific applications or anticipate all requirements. All specifications are subject to change without notice.

For more information, contact Fire•Lite Alarms, One Fire-Lite Place, Northford, Connecticut 06472. Phone: (800) 627-3473, Toll-Free FAX: (877) 699-4105.



## LED-10 SERIES ACS MODE WIRING



### Notes:

- 1) EIA-485: Maximum of 6,000 feet total cable length from FACP to LED-10 Series annunciators. Circuit is power limited.
- 2) Up to 32 LED-10 Series annunciators may be used on the EIA-485 circuit. The MS-5210UD can power a maximum of seven LED-10 Series annunciators. If additional LED-10 Series annunciators are connected, the Fire-Lite FCPS-24F may be used to supply additional power. **NOTE:** Power supplies used for this purpose must have their negative terminals commoned together.
- 3) Between each LED-10 Series annunciator are four wires: a twisted-shielded pair for data communications, and a pair for 24 VDC power.
- 4) Each model LED-10 (only) may have ACK, SIGNAL SILENCE, DRILL and SYSTEM RESET switches.
- 5) Displays all ten initiating device circuits (zones) of MS-5210UD.
- 6) No programming required for LED-10 Series annunciators.

## MOUNTING TO BACKBOX(ES)

**CAUTION!** The LED-10 Series annunciators can **ONLY** be **semi-flush-mounted** in a three-gang electrical box with a **minimum** depth of 2-3/16" (Fire-Lite P/N 10103 or equivalent).

The LED-10 Series annunciators **CANNOT** be mounted in three gangable electrical switch boxes connected together.

**NOTE:** Alternately, the LED-10 Series annunciators can be mounted to the SBB-3 surface backbox for **surface-mount** applications.

5-13/16" wide x 4" high x 2-3/16" deep,  
three-gang electrical box  
(Fire-Lite P/N 10103 or equivalent).  
10103 shown at right.

