



www.firelite.com

July 8, 2004

DF-52077 • G-400

SpectrAlert® SP2C Series Ceiling-Mount Speaker/Strobes

Section: Audio/Visual Devices

GENERAL

System Sensor's **SP2C Series Speaker/Strobes** combine leading-edge strobe and speaker technology with a design specifically intended for ceiling-mount applications.

Technology — SpectrAlert® SP2C ceiling speaker/strobes combine the low current draw of the ceiling-mount SpectrAlert® strobes, with the intelligible, fidelity sound quality of the SpectrAlert® SP200 Series evacuation speaker.

Flexibility — Like all SpectrAlert® products, the SP2C Series ceiling speaker/strobes feature the flexibility to meet a wide variety of applications. The 24-volt strobe is available in six different candelas, including 177 candela for sleeping areas. The speaker offers field-selectable 25.0/70.7 voltage and 1/4, 1/2, 1, and 2 watt power taps.

Aesthetics — The SP2C Series ceiling speaker/strobes offer a design that is sensitive to the aesthetic demands of ceiling-mount applications. The round shape maintains a low-profile appearance, similar to that of a smoke detector. Its stylish curves and design further refine the aesthetics over other generic wall/ceiling-mount designs. Yet SpectrAlert®'s round shape provides clearly visible "FIRE" identification from all angles.

Installation — The SP2C Series ceiling speaker/strobes include several features to simplify installation. By incorporating the SP200 Series speaker, the entire unit may be mounted to a standard 4" x 4" x 2-1/8" (10.16 x 10.16 x 5.398 cm) backbox without an extension ring. An optional backbox skirt is also available for surface-mount applications. With SpectrAlert®'s round shape, aligning the backbox with the room's walls is not necessary — SpectrAlert® always lines up.

FEATURES

- Combines SpectrAlert® ceiling-mount strobe and speaker technologies for low current draw, fidelity sound quality.
- 24-volt models available with 15, 15/75, 30, 75, 95, 115, and 177 candela strobes.
- 25.0 and 70.7 volt speaker with four field-selectable power taps.
- Ceiling-specific shape, profile, and aesthetics.
- Strobe is synchronizable with MDL Sync•Circuit™ module.
- Mounts to a 4" x 4" x 2-1/8" (10.16 x 10.16 x 5.398 cm) backbox without an extension ring.
- Round shape offers greater placement flexibility.

SPECIFICATIONS

GENERAL

Dimensions: 6.8" (17.272 cm) diameter.

Mounting: 4" x 4" x 2-1/8" (10.16 x 10.16 x 5.398 cm) backbox.



MEA

63-00-E
(15, 15/75, 30,
75, 95 cd models)
218-00-E
(115, 177 cd models)



California State Fire Marshal
7320-1209:200



Indoor operating temperature: 32°F to 120°F (0°C to 49°C).

STROBES

Strobe operating voltage: 24 VDC and FWR unfiltered.

Input terminals: 12 to 18 AWG (3.25 to 0.75 mm²).

Operating voltage range: 24 volts, 16 – 33 volts.

Operating voltage range with Sync•Circuit™ module: 24 volts, 17 – 33 volts.

SPEAKERS

Input voltage: 25.0 or 70.7 volts (nominal).

Input terminals: 12 to 18 AWG (3.25 to 0.75 mm²).

Frequency range: 400 – 4,000 Hz. **NOTE:** The SP2C Series is UL listed from 400 to 4,000 Hz, but will provide an output from 100 to 10,000 Hz.

Power taps: 1/4, 1/2, 1, and 2 watts.

SOUND OUTPUT

| dBA @ 10 FEET | 2 W | 1 W | 1/2 W | 1/4 W |
|-----------------|-----|-----|-------|-------|
| UL Reverberant* | 84 | 81 | 78 | 75 |
| UL Anechoic | 87 | 84 | 81 | 78 |

*Assumes flush-mount installation.

6797sond.tbl

SpectrAlert® is a registered trademark and Sync•Circuit™ is a trademark of System Sensor.

Fire-Lite® Alarms is a Honeywell company.

This document is not intended to be used for installation purposes. We try to keep our product information up-to-date and accurate. We cannot cover all specific applications or anticipate all requirements. All specifications are subject to change without notice.

For more information, contact **Fire-Lite Alarms**, One Fire-Lite Place, Northford, Connecticut 06472. Phone: (800) 627-3473, Toll-Free FAX: (877) 699-4105.

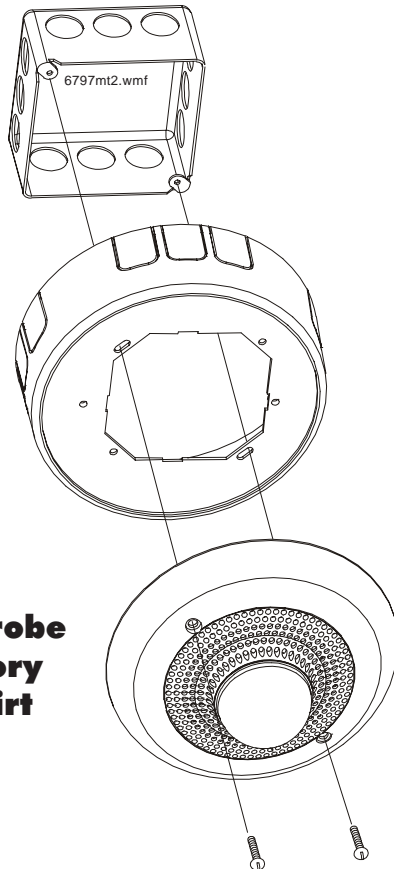


ARCHITECTURAL/ ENGINEERING SPECIFICATIONS

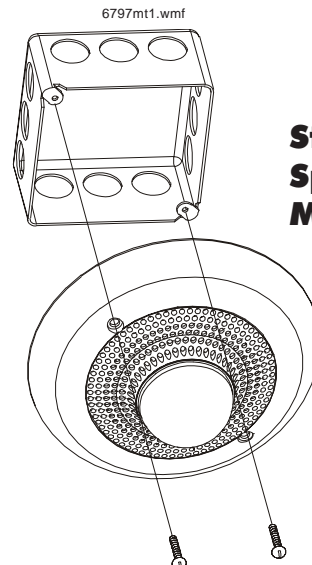
Ceiling speaker/strobe shall be a System Sensor Model _____ listed to UL 1480 and UL 1971 and be approved for fire protective signaling systems. Speaker shall be capable of operating at 25.0 or 70.7 nominal V_{RMS} , and shall have a frequency range of 400 to 4,000 Hz. Speaker shall have power taps which are selected by shunts. The strobe shall comply with the NFPA 72 requirements for visible signaling appliances, flashing at 1 Hz over the strobe's entire operating voltage range. The strobe light shall consist of a xenon flash tube and associated lens/reflector system.



BBSCW Surface-Mount Backbox Skirt



**Mounting
Speaker/Strobe
with accessory
Backbox Skirt**



**Standard
Speaker/Strobe
Mounting**

ORDERING INFORMATION with CURRENT DRAW

| Description | Model No. (White) | Candela | FWR Max. Operating Strobe Current (mA RMS) | DC Max. Operating Strobe Current (mA RMS) |
|---------------------------------|----------------------|---------|---|--|
| Ceiling Speaker /Strobes | SP2C2415 | 15 | 68 | 64 |
| | SP2C241575 | 15/75 | 77 | 78 |
| | SP2C2430 | 30 | 107 | 113 |
| | SP2C2475 | 75 | 197 | 205 |
| | SP2C2495 | 95 | 239 | 274 |
| | SP2C24115 | 115 | 298 | 325 |
| | SP2C24177 | 177 | 399 | 489 |
| Surface-mount back box skirt | BBSCW | | | |