

HPTCOVER Transformer Enclosure Model 4165

Description

The HPTCOVER is a transformer enclosure used in applications where the installation requires a plug-in transformer to be securely affixed to an AC wall outlet. This steel enclosure mounts over any duplex wall receptacle and attaches like an electrical wall plate. Two screws secure the cover to the enclosure to prevent unauthorized access to the plug-in transformer. With three convenient half-inch conduit knockouts in the bottom, side, and back, the low-voltage wiring can easily exit to an alarm panel or device that requires power.

Benefits

- Secures the plug-in transformer from accidental AC disconnect.
- 16-gauge steel construction with black pebble-grained powder-coat finish.
- Three convenient half-inch knockouts located in the bottom, side, and back of enclosure.
- Mounting screws on front cover to prevent unauthorized access.
- Requires minimal installation time.
- Designed to securely mount over most standard electrical wall plates.

Specifications

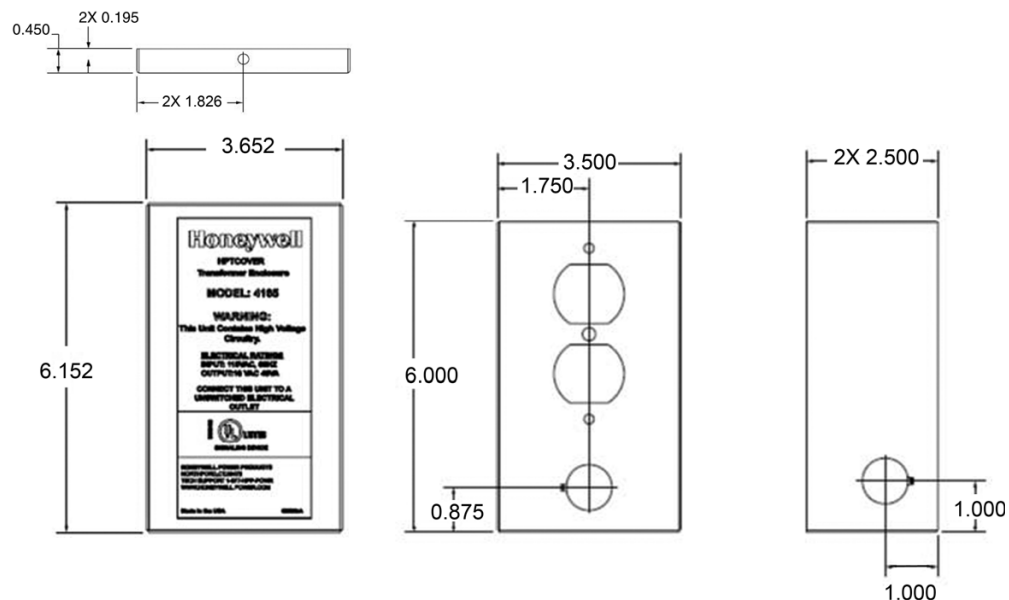
- UL Listed Control Unit Accessory.
- Enclosure dimensions: 6.152" H x 3.652" W x 2.56" D (cm: 9.276 H x 15.626 W x 6.502 D).
- Recommended operating temperature: 22°C/72°F.



Listings and Approvals

Listings and approvals below apply to the basic HPTCOVER transformer enclosure. In some cases, certain modules may not be listed by certain approval agencies, or listing may be in process. Consult factory for latest listing status.

- **UL Listed** (Control Unit Accessory): S24562.



This document is not intended to be used for installation purposes. We try to keep our product information up-to-date and accurate. We cannot cover all specific applications or anticipate all requirements. All specifications are subject to change without notice.
©2010 by Honeywell International Inc. All rights reserved. Unauthorized use of this document is strictly prohibited.

Automation and Control Solutions

Honeywell

12 Clintonville Road

Northford, CT 06472-1610

www.honeywellpower.com

1(877) HPP-POWR

hpp_techserv@honeywell.com

dh-60366:a
May 2010
Made in the U.S.A.
© U.S. Registered Trademark
© 2010 Honeywell International Inc.
Page 2 of 2



Honeywell