

INS 2™ Remote Annunciator and Remote Reset Panel

Features

LED Annunciator Provides:

- 8 separate points or zones for annunciation of alarms and troubles
- Surface or semi-flush installation
- Field programmable
- Operates on the INS 2 Network Communications Line

Remote Reset Panel:

- Annunciates common alarm, trouble and supervisory conditions
- Integral sounder for audible annunciation
- Switches for system acknowledge, reset and drill
- Operates on the INS 2 Network Communications Line

Description

The 30766 Series of Remote Annunciators and the 30852 Remote Reset Panel are designed for use with Gamewell's INS 2 Control Panel. These units are designed to provide you with additional control and status information about the system at remote locations. These units connect directly to the Network Communications Lines of an INS 2 Control Panel and require no special wiring.

The Remote Annunciators are available with LEDs or they may serve as an annunciator driver for interfacing with a graphic style annunciator. When provided as the annunciator there are 8 red and 8 yellow LEDs for reporting alarm and trouble conditions by either point or zone. If several of these annunciators are to be located together they can be supplied in a Remote Annunciator Cabinet Assembly (30791 Series). This cabi-

net assembly also is designed to provide for mounting of an alphanumeric display.

The INS 2 Remote Reset/Control Panel is designed to provide remote control of an INS 2 System via the Network Communications Lines. The Remote Reset Panel provides an acknowledge, reset and drill switch along with LED annunciation of the system status. The LEDs included on the Remote Reset/Control Panel are: Power, Alarm, Trouble, Supervisory, Bypass/Bell Silence and Service Required. There is also one additional red LED on the unit for addressing confirmation. The integral sounder provides audible annunciation of off normal conditions.

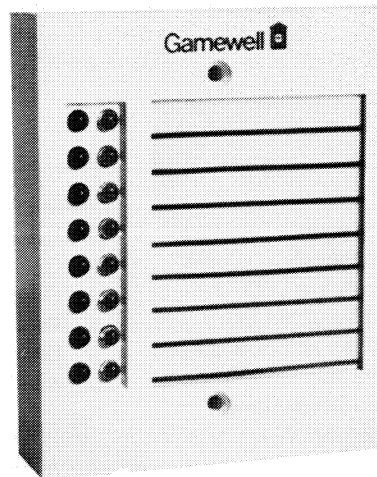
Operation

The Remote Annunciators, in the event of an alarm or trouble, will light the respective red or yellow LED for the point or zone in alarm. Subsequent alarms and troubles will light their respective LEDs. Control of the Remote Annunciator is handled by the INS 2 Control Panel

via the Network Communications Line. Remote Annunciators may also be lamp-tested via a single command from the INS 2.

The Remote Annunciator is field programmable via the INS 2 Control Panel. Using the "control-by-event" and virtual zoning capabilities of the INS 2, the system has the flexibility of choosing which LED set is also programmed with a specific address to facilitate specific functions. The Remote Reset Panel mimics the operation of the main control area of the INS 2 Control Panel in either an alarm or trouble condition. The integral sounder is activated whenever the system detects an off normal condition for audible annunciation of the condition.

The Remote Reset Panel also needs to be programmed with an address for identification on the Network Communication Line. An LED is provided for confirmation of this activity. The INS 2 Remote Reset/Control Panel can only be used on systems utilizing Version 4 software.



Installation

Remote Annunciators can be semi-flush mounted using a single gang electrical box. Multiple remote annunciators may be mounted side-by-side by using multiple gang backboxes. It is necessary to use two additional boxes for each additional annunciator (i.e. use a 3-gang box for two annunciators). Each annunciator

is connected to the Network Communications Line via the screw terminals provided on the unit. Multiple annunciators may also be supplied in the Remote Annunciator Cabinet Assembly (30791 Series) for mounting of up to 96 alarm and trouble LEDs in a single location.

The Remote Reset Panel can be mounted in a 4 11/16" backbox or factory installed directly into the remote annunciator cabinet assembly. Screw terminals are provided for connection to the Network Communication Line and additional screw terminals are provided for connection to auxiliary power when required.

Specifications

Remote Annunciator

Input Power: 24 Vdc Supply
 Operating Current: 2mA Quiescent
 1mA Per Alarm LED
 5mA Per Trouble LED
 54mA When all LEDs are on
 Operating Temperature: 0° C to 49° C
 Relative Humidity: 85% Non-Condensing
 Dimensions: 4 1/4"H x 3 5/8"W x 1 1/16"D

Remote Reset Panel

Input Power: 24Vdc
 Operating Current: 8 mA Quiescent, 11mA Alarm
 Operating Temperature: 0° C to 49° C
 Relative Humidity: 85% Non-Condensing
 Dimensions: 4 11/16"H x 4 11/16"W x 2" D
 Key: Cat 60

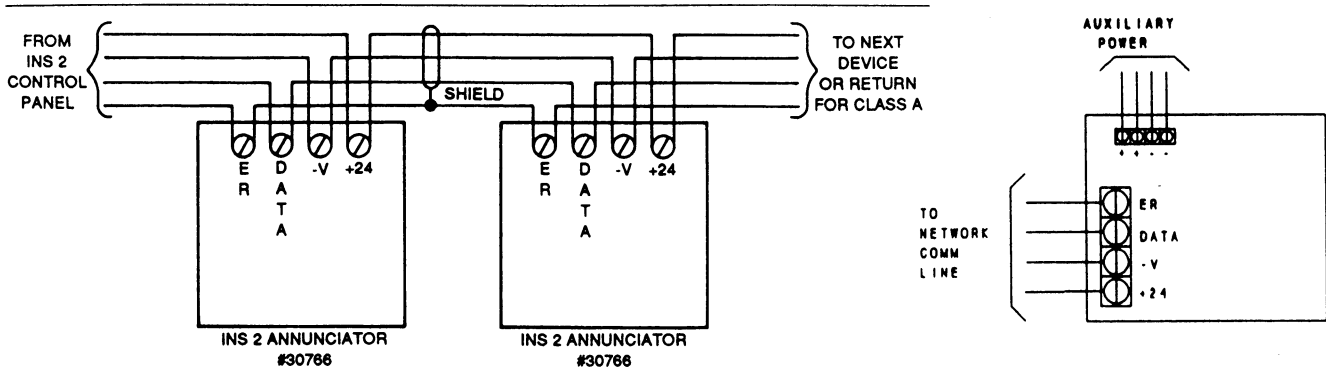
Remote Annunciator Cabinet Assembly

Dimensions: 13.88"W x 23.88"H x 4.5" D

Ordering Information

Supplied	Quantity	Part Number	Description
<input type="checkbox"/>	_____	30766	INS 2 Remote Annunciator - White
<input type="checkbox"/>	_____	30766-01	INS 2 Remote Annunciator For Cabinet Mounting in 30791 - Black
<input type="checkbox"/>	_____	30791	Remote Annunciator Cabinet Assembly For Mounting up to twelve 30766-01
<input type="checkbox"/>	_____	30788	INS Annunciator Driver Module
<input type="checkbox"/>	_____	30852	Remote Reset Panel
<input type="checkbox"/>	_____	70839-01	Trim Ring for Remote Reset Panel

Wiring Diagram



NOTE: FOR CONCEPT ONLY, REFER TO INSTALLATION GUIDE (PART #70708-04) FOR COMPLETE WIRING AND INSTALLATION PROCEDURES.

Figure 2: Basic wiring for INS 2 Remote Reset/Control Panel.



Specifications and wiring information are provided for information only and are believed to be accurate. However, Gamewell assumes no responsibility for their use. Specifications are subject to change without notice; installation and wiring instructions shipped with the product should always be used for actual installation.

Data and design subject to change. Supply subject to availability GW 8/98 (revised) Printed in U.S.A.

60 Pleasant Street
 Ashland, Massachusetts 01721
 (508) 231-1400 FAX (508) 231-0900

UL Listed