

MLS Connect Digital Intelligent Lighting Control Modules

MLS Connect Digital Integral Detector for CDW12U5, CDH4U5 & CDH8U5 LCMs

MLS Connect Digital Intelligent Lighting Control Modules (CDW12U5 Pluggable and CDH4U5/CDH8U5 Hard Wired LCMs) support a range of dedicated presence detectors. This detector is designed to be integrated within the luminaire.

It comprises two parts: MLSM2002CDR control unit and DHS or DHW mini-detector head (silver or white bezel respectively). The mini-detector head can be mounted either within the luminaire or remotely if preferred. In either case, a flush fitting kit (DHFK-B, DHFK-S or DHFK-W) allows easy and accurate positioning.

Note: If wishing to install the detector head remotely in a plasterboard or suspended ceiling, see alternative MLSM20002CDRDHPBW (comprises mini-detector head, control module and plasterboard fixing kit).

The MLSM2002CDR offers high performance presence detection and contains a photocell to monitor total light levels, allowing the light output of dimmable luminaires to be adjusted to suit the natural light level available. It also contains an infrared port that can be used both for local control from a hand-held device when in service and for initial commissioning of the CDW12U5/CDH4U5/CDH8U5 Intelligent LCM system. When properly installed, the MLSM2002CDR is an SELV device.

The MLSM2002CDR connects to the LCM via an eight core, RJ45 plug terminated, patch lead. Ready-made patch leads are available in lengths of 3m, 5m and 10m.



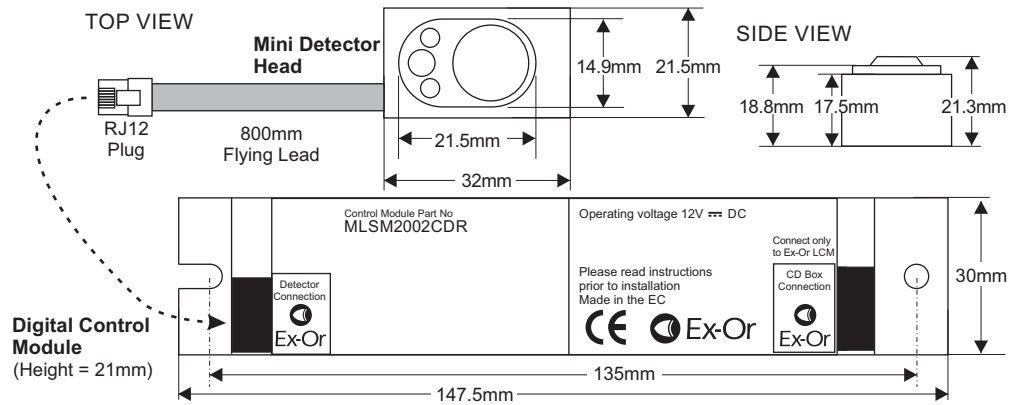
Commissioning

With the CDW12U5 and CDH4U5/CDH8U5 LCM systems, all configuration information is held within the Connection Centre itself, not the individual detectors. Most of the parameters are set up with the aid of a dedicated programme running on a portable PC which communicates with the LCM either by an infrared link, via one of the attached detectors, or by a specialised serial link into the LCM itself.

When setting the actual light levels around which dimming or switching decisions are made, the system utilises the same simple and convenient method as used for Ex-Or's traditional stand-alone detectors. An infrared programming tool (QUICKSET PRO or HC5A) is used to set the controlling or switching set-point for the photocell. The setting is then transmitted from the detector to the LCM where it is uniquely associated with that particular detector. The setting will be preserved in the event of power failure. All settings can be re-programmed any number of times. (See 'Setting the Regulating Photocell' and 'Setting the Switching Photocell' sections of installation instructions for details of setting procedure.)

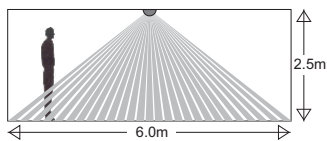
Please check www.ex-or.com to ensure this is the most recent issue - Ref: D4118E

Electrical Connections & Dimensions



Technical Data

RECOMMENDED MAXIMUM MOUNTING HEIGHT: 3.0m
 RANGE: Cone-shaped detection pattern, diameter (at floor level) = 2.4 x mounting height



OPERATING VOLTAGE: 12V DC, SELV if installed correctly.

$t_a = 0 - 55^\circ\text{C}$

PHOTOCELL: Regulating

62mm plus an allowance for the minimum bend radius of the patch lead.

WEIGHT: 32g incl. 0.8m cable (DHW/DHS)

48g (MLSM2002CDR)

INTERCONNECT CABLE TEMPERATURE RATING: 60°C

COLOUR: White or silver bezel (DHW = White, DHS = Silver)

MATERIAL: UV stabilised polycarbonate (DHW/DHS)

Flame retardant PC/ ABS (MLSM2002CDR)

OVERALL DIMENSIONS: 32 (l) x 21.5 (w) x 21.3 (h) mm (DHW/DHS)

147.5 (l) x 30 (w) x 21 (h) mm (MLSM2002CDR)

IP RATING: 20

Accessories



QuickSet Pro Digital 2-Way Programming Tool
 Menu-driven LCD Programmer with automatic equipment recognition and parameter download facilities.



HC5A Universal Hand-held Controller
 Allows manual override. Supplied with wall bracket.



DHFK Flush Fitting Kit
 Allows flush fitting of mini-detector head to infill panel of 0.5mm to 4.0mm thickness.

Ex-Or operates a genuine policy of continuous improvement. You may expect the specification to be regularly enhanced. For latest technical information, please visit www.ex-or.com.

Part Numbers

MLSM2002CDR	Digital Control Module
DHS	Mini Detector Head - Silver Bezel
DHW	Mini Detector Head - White Bezel
DHFK-B	Flush Fitting Kit - Black
DHFK-S	Flush Fitting Kit - Silver
DHFK-W	Flush Fitting Kit - White
BT5E030GY	3m Detector Patch Lead
BT5E050GY	5m Detector Patch Lead
BT5E100GY	10m Detector Patch Lead
QUICKSET PRO	QuickSet Pro Digital 2-Way Programming Tool
HC5A	Universal Hand-held Controller c/w wall bracket