



## Line Isolator Module

### SD500-LIM

The SD500-LIM isolates a short circuit wiring fault on an SLC loop. Normally if the control panel detects a short on the SLC loop, communication on the SLC loop can be disrupted. When isolator modules are used and a short occurs on the SLC loop, it will be detected as a trouble but all the SLC devices that are protected by a line isolator module will continue to operate.

### Features

- Isolates short circuits on an SLC loop.
- Protects other modules on the loop so other devices continue to operate.
- Can be used on Style 7 (Class A), and Style 4 (Class B) wiring configurations.
- Mounts in a standard dual gang or 4" square electrical box.

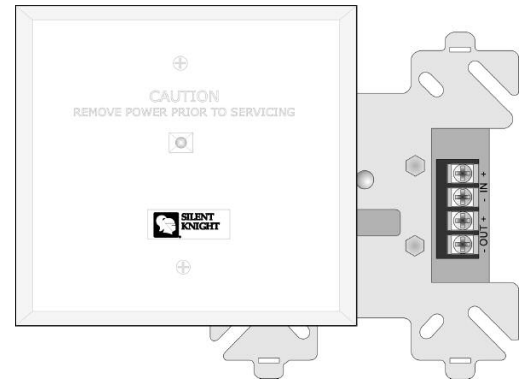
### Specifications

Operating Voltage:	32 VDC
Battery Current Draw During AC Loss:	.092 mA
SLC Current:	.092 mA
Max. SLC Loop Resistance:	50Ω
Operating Temperature:	32° - 120°F (0° - 49°C)
Dimensions:	
Length:	4-7/8" (12.38 cm)
Width:	4-7/8" (12.38 cm)
Depth:	7/8" (2.22 cm)

### Agency Listings



**MEA**  
429-92-E  
VOL XI

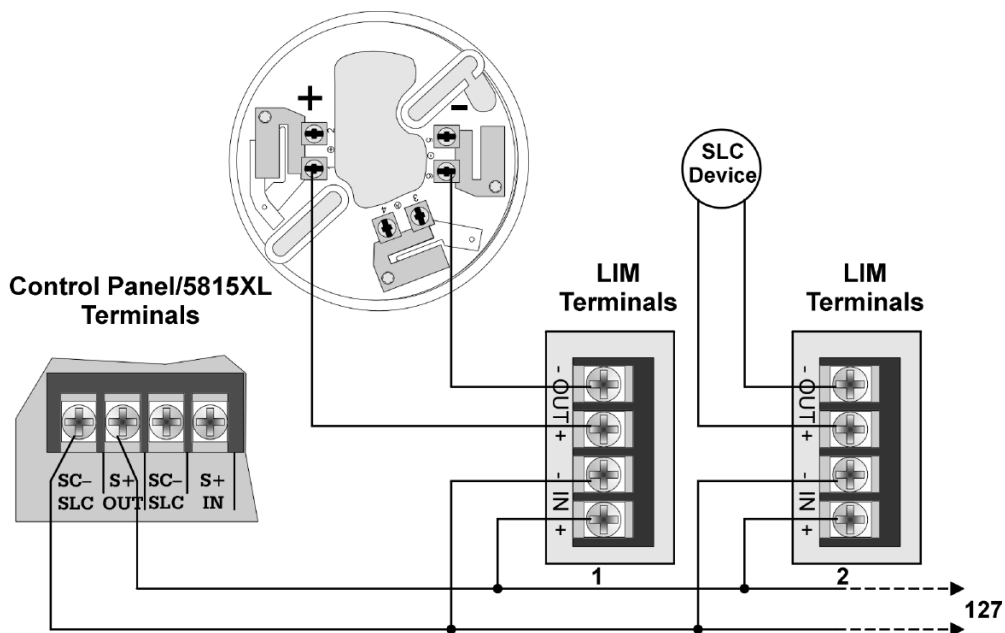


### SD500-LIM

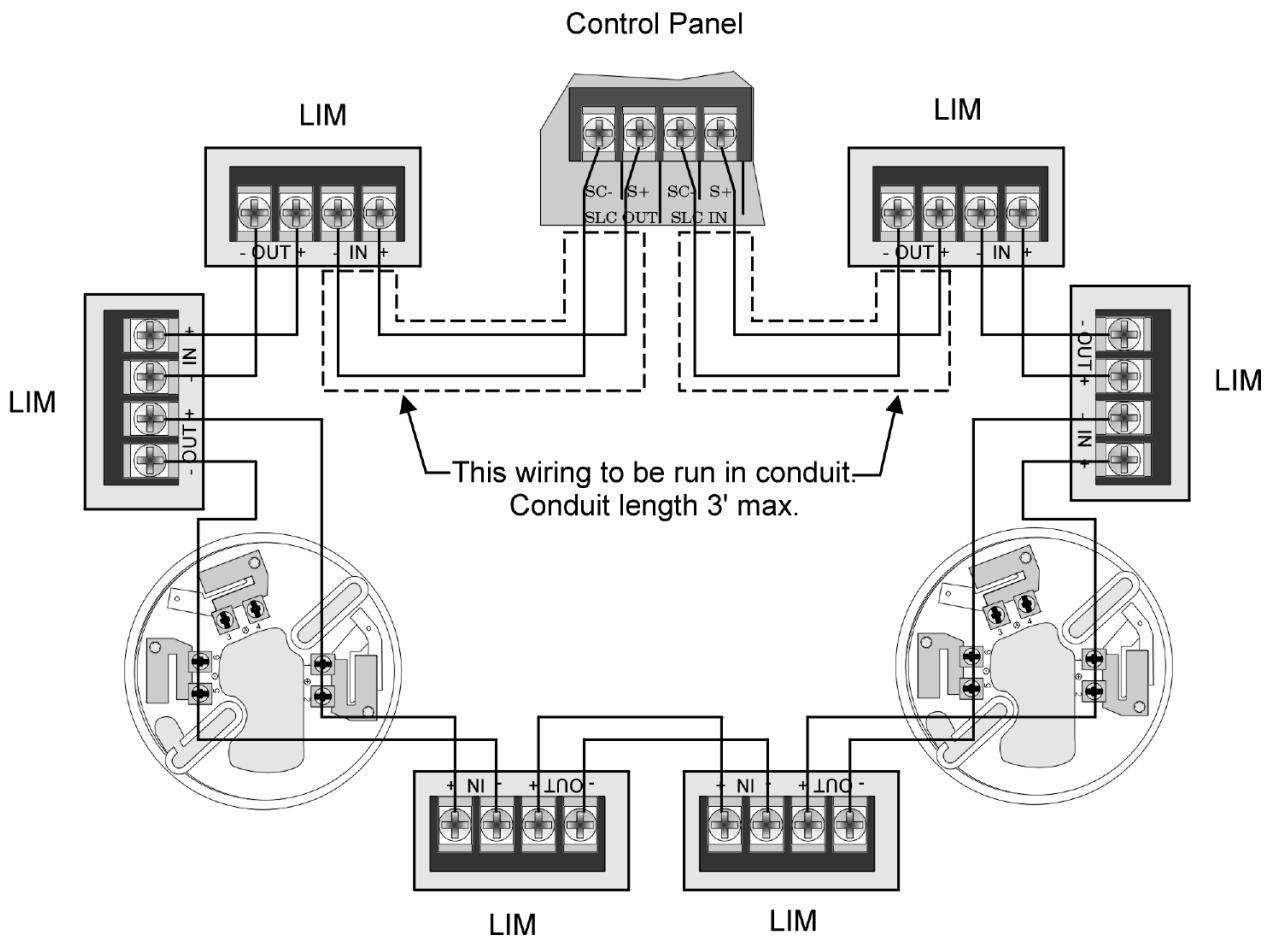
### Compatible Control Panels

- IFP-2000 / RPS-2000 Intelligent Fire Panel
- IFP-1000 Intelligent Fire Panel
- IFP-100 Intelligent Fire Panel
- IFP-50 Intelligent Fire Panel

# SD500-LIM



## Class B (Style 4)



## Class A (Style 7)