

# L-series Indoor Wall Speakers Strobes and Speakers

The L-Series indoor selectable-output speaker strobes and dual-voltage speakers offer a modern, aesthetic plug-in design that deduce costly ground faults. The universal mounting plate can be used in wall installation applications and its flexible design enables the installer to easily perform the following, pre-wire mounting plates, dress the wires, and confirm wiring continuity before plugging in the speakers. In addition, this product provides a protective plastic cover prevents nicked wires by covering exposed speaker components.

These devices also enable faster installations by providing instant feedback to ensure that wiring is properly connected, rotary switches to select voltage and power settings, and 7 field-selectable candela settings for wall speaker strobes.

The low total harmonic distortion of the speaker offers high fidelity sound output while still offering high volume sound output for use in high ambient noise applications.



## L-SERIES MAKES INSTALLATION EASY

1. Attach a universal mounting plate to a 4 × 4 × 2 1/8 inch back box  
Flush-mount applications do not require an extension ring.
2. Connect the notification appliance circuit or speaker wiring to the terminals on the mounting plate.
3. Attach the speaker or speaker strobe to the mounting plate by inserting the product tabs into the mounting plate grooves.
4. Hinge the device into position to lock the product pins into the mounting plate terminals.
5. A catch will temporarily hold the device in place until you secure the device with a captured mounting screw.

## FEATURES & BENEFITS

- Plug-in design and protective cover reduce ground faults
- Contains a universal mounting plate with an onboard shorting spring tests wiring continuity before installation
- No extension ring required
- Field selectable candela settings on ceiling units: 15, 30, 75, 95, 115, 150, and 177
- Uses an automatic selection of 12- or 24-volt operation at 15 and 30 candela
- Rotary switch simplifies field selection of speaker voltage (25 and 70.7 Vrms) and power settings (1/4, 1/2, 1 and 2 watts)
- Offers speakers with both high fidelity and high volume sound output
- Compatible with System Sensor synchronization protocol
- Electrical compatibility with existing SpectrAlert and SpectrAlert Advance products
- Designed with tamper-resistant construction
- Built with an updated modern design

## L-SERIES SPEAKER AND SPEAKER STROBE SPECIFICATIONS / ARCHITECT AND ENGINEER SPECIFICATIONS

### GENERAL

L-Series speaker and speaker strobes shall mount to a 4 × 4 × 2 1/8-inch back box. A universal mounting plate shall be used for mounting ceiling and wall products. The notification appliance circuit and amplifier wiring shall terminate at the universal mounting plate. Also, L-Series speaker strobes, when used with the Sync•Circuit™ Module accessory, shall be powered from a non-coded notification appliance circuit output and shall operate on a nominal 12 or 24 volts. When used with the Sync•Circuit Module, 12-volt rated notification appliance circuit outputs shall operate between 8.5 and 17.5 volts; 24-volt rated notification appliance circuit outputs shall operate between 16.5 and 33 volts. Indoor L-Series products shall operate between 32°F and 120°F from a regulated DC, or full-wave rectified, unfiltered power supply. Wallmount speaker strobes shall have field-selectable candela settings including 15, 30, 75, 95, 110, 135, 185.

### SPEAKER

The speaker shall be a System Sensor L-Series model \_\_\_\_\_ dual-voltage transformer speaker capable of operating at 25.0 or 70.7 nominal Vrms. It should be listed to UL 1480 and shall be approved for fire protective service. The speaker shall have a frequency range of 400 to 4,000 Hz and shall have an operating temperature between 32°F and 120°F. The speaker shall have power taps and voltage that are selected by rotary switches.

### SPEAKER STROBE COMBINATION

The speaker strobe shall be a System Sensor L-Series model \_\_\_\_\_ listed to UL1480 and UL 1971 and be approved for fire protective signaling systems. The speaker shall be capable of operating at 25.0 or 70.7 nominal Vrms selected via rotary switch, and shall have a frequency range of 400 to 4,000 Hz. The speaker shall have power taps that are selected by rotary switch. The strobe shall comply with the NFPA 72 requirements for visible signaling appliances, flashing at 1 Hz over the strobe's entire operating voltage range. The strobe light shall consist of a xenon flash tube and associated lens/reflector system.

### SYNCHRONIZATION MODULE

The module shall be a System Sensor Sync•Circuit model MDL3 listed to UL 464 and shall be approved for fire protective service. The module shall synchronize SpectrAlert strobes at 1 Hz. The module shall mount to a 4 11/16 × 4 11/16 × 2 1/8-inch back box. The module shall also control two Style Y (class B) circuits or one Style Z (class A) circuit. The module shall synchronize multiple zones. Daisy chaining two or more synchronization modules together will synchronize all the zones they control. The module shall not operate on a coded power supply.

### PHYSICAL

Dimensions, Wall-Mount	Length	Width	Depth
SP Speaker:	6.5 in, 165 mm	5 in, 127 mm	2.3 in, 58 mm
With Surface Mount Back Box:	6.6 in, 168 mm	5.1 in, 130 mm	3.2 in, 82 mm
SPS Speaker/Strobe (including lens and speaker):	6.5 in, 165 mm	5.0 in, 127 mm	2.3 in, 58 mm
With Surface Mount Back Box:	6.6 in, 168 mm	5.1 in, 130 mm	4.55 in, 116 mm

### ELECTRICAL

Nominal Voltage (speakers): 25 Volts or 70.7 Volts (nominal)

Maximum Supervisory Voltage (speakers): 50 VDC

Strobe Flash Rate: 1 flash per second

Nominal Voltage (strobes): Regulated 12 VDC or regulated 24 DC/FWR

Operating Voltage Range (includes fire alarm panels with built in sync): 8 to 17.5 V (12 V nominal) or 16 to 33 V (24 V nominal)

Operating Voltage with MDL3 Sync Module: 8.5 to 17.5 V (12 V nominal) or 16.5 to 33 V (24 V nominal)

Frequency Range: 400 to 4,000 Hz

Power: 1/4, 1/2, 1, 2 watts

### ENVIRONMENTAL

Standard Operating Temperature: 32°F to 120°F (0°C to 49°C)

Humidity Range: 10 to 93% non-condensing

### AGENCY LISTINGS AND APPROVALS

UL: Listed

FM: Approved

CSFM: Listed

**UL MAX STROBE CURRENT DRAW ( mA RMS)**

CANDELA	8-17.5V	16-33V	FWR
	DC	DC	
15	88	43	60
30	143	63	83
75	N/A	107	136
95	N/A	121	155
110	N/A	148	179
135	N/A	172	209
185	N/A	222	257

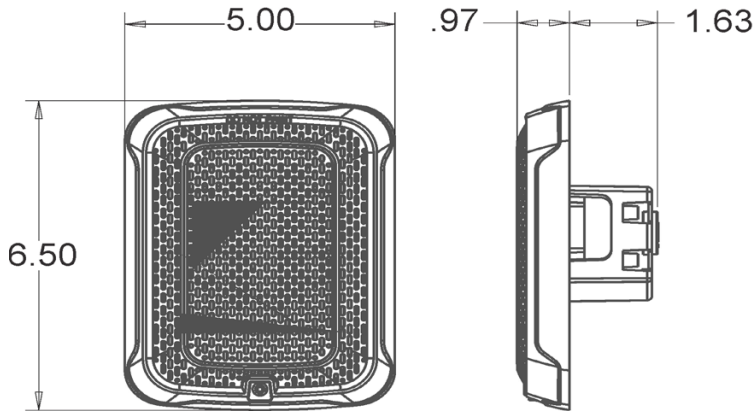
**SOUND OUTPUT SPEAKER STROBE**

Setting	UL Reverberant (dBA @10 ft)	UL Anechoic (dBA @10 ft)
¼ W	77	77
½ W	80	80
1 W	83	83
2 W	86	86

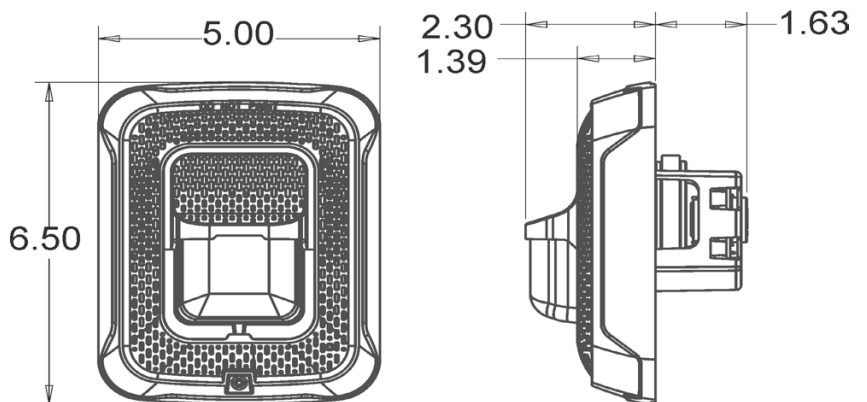
**SOUNDER OUTPUT SPEAKER**

Setting	UL Reverberant (dBA @10 ft)	UL Anechoic (dBA @10 ft)
¼ W	79	79
½ W	82	82
1 W	83	85
2 W	88	88

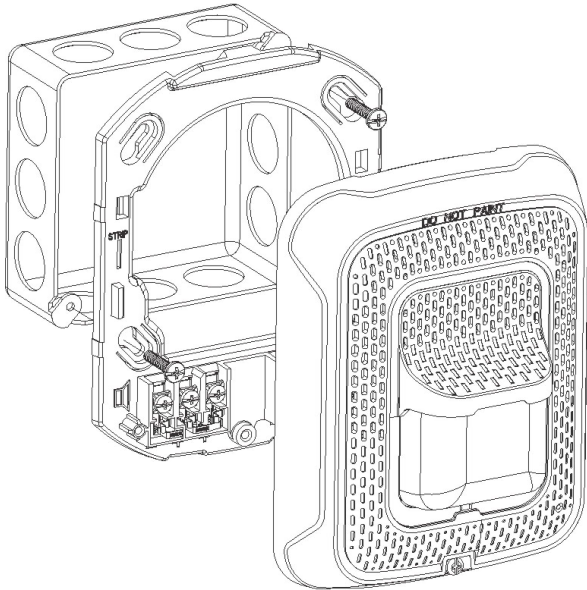
**DIMENSIONS**



**WALL-MOUNT SPEAKER**



**WALL-MOUNT SPEAKER STROBE**



## **WALL-MOUNT SPEAKER STROBE WITH SBSPRL SURFACE MOUNT BACK**

### **ORDERING INFORMATION**

#### **CEILING MOUNT**

**SPWL:** Speaker only, White

**SPRL:** Speaker only, Red

**SPSWL:** Speaker Strobe, White

**SPSRL:** Speaker Strobe, Red

**SPSWL-P:** Speaker Strobe, Plain

**SPSWL-ALERT:** Speaker Strobe, Amber Lens

**SPSWL-CLR-ALERT:** Speaker Strobe, Clear Lens

**SPSRL-SP:** Speaker Strobe, Fuego

#### **ACCESSORIES**

**RFPW:** 7 in × 9.5 in Retrofit Plate. White

**RFP:** 7 in × 9.5 in Retrofit Plate. Red

**SBSPW:** Surface Mount Back Box for Speakers and Speaker Strobes. White

**SBSPR:** Surface Mount Back Box for Speakers and Speaker Strobes. Red

**TRW:** Wall Mount Trim Ring. White

**TR:** Wall Mount Trim Ring. Red

*Notes:* All -P models have a plain housing (no "FIRE" marking on the cover)

### **For more information**

Learn more about Honeywell's Farenhyt Series and other products available by visiting [www.farenhyt.com](http://www.farenhyt.com)

### **Honeywell Farenhyt**

12 Clintonville Road  
Northford, CT 06472  
800-328-0103

Doc 351577 | Rev B | 02/18  
© 2018 Honeywell International Inc.

For a complete listing of all compliance approvals and certifications, please visit [www.farenhyt.com](http://www.farenhyt.com).

Microsoft, Windows, and the Windows Logo are registered trademarks or trademarks of Microsoft Corporation.

System Sensor® and Honeywell® are registered trademarks of and Farenhyt™ is a trademark of Honeywell International, Inc.

This document is not intended to be used for installation purposes. We try to keep our product information up-to-date and accurate. We cannot cover all specific applications or anticipate all requirements. All specifications are subject to change without notice.

For Technical Support, call 800-446-6444.

**Honeywell**