

L-Series Audible Visible Accessories

The L-Series offers a wide range of Audible Visible (AV) accessories to accommodate a variety of application requirements

The MP120KL Mounting Plate is designed to use 120 VAC to power SpectrAlert Advance horns, strobes, horn strobes, chimes, and chime strobes.

The Color Lens Attachments install easily on any L-Series strobe devices to provide distinctive visual signaling.

The Bezel Kits enable installers to easily turn any L-Series Fire or Plain device into a device that meets ECN/MNS requirements. Bezel kits are available for all varieties and footprints of L-Series products and come in FIRE, ALERT, EVAC, AGENT, FUEGO, FOGO, and Plain options making customization easy.

Universal Trim Rings for wall and ceiling mount devices allow for additional space within the backbox.

The L-Series Surface Mount Back Boxes are the best solution in locations where you have a hard surface to mount to.

The Sync•Circuit Module synchronizes L-Series strobes at 1 Hz and horns and chimes at temporal 3 over a single pair of wires. Patented module technology also allows the silencing of horns or chimes on horn strobe and chime strobe models over a pair of wires.



FEATURES & BENEFITS

MP120KL MOUNTING PLATE

- Designed for both indoor and outdoor use
- Offers a plug-in design to eliminate ground faults
- Includes a power supply that converts 120 VAC to nominal 24 V FWR

- Compatible with all two-wire L-Series devices

COLOR LENS ATTACHMENTS

- Easily turns any device into a strobe for ECS/MNS events: severe weather, toxic gases, sprinkler activation and more

- Outdoor rated from -35°F to 151°F
- Wall- or ceiling-mount lenses available
- Complies and listed with UL 1638

BEZEL KITS

- Easily turn a Fire or Plain device into a device to meet ECS/MNS requirements

- Bezel kits available for strobes, horns, chimes, horn strobes, chime strobes and speaker strobes
- Bezel options with FIRE, ALERT, EVAC, AGENT, PLAIN, FUEGO, FOGO printing
- For use with L-Series devices only

- Operating temperature -40°F to 151°F

SPECIFICATIONS

MP120K

120 VAC mounting plate model MP120KL shall be listed to UL 464 for fire protective signaling systems. The mounting plate shall power a two-wire L-Series horn, strobe, horn strobe, chime or chime strobe from a 120 VAC supply converted to nominal 24 V FWR. For indoor applications, the mounting plate shall be installed in a 4 x 4 x 2 1/8 -inch junction box.

COMPATIBILITY

MP120KL may be used with any of the following products at all horn and strobe settings: P2RL, P2WL, P2RL-P, P2WL-P, P2RL-SP, P2WL-SP, PC2RL, PC2WL, SRL, SWL, SRL-P, SWL-P, SRL-SP, SWL-CLR-ALERT, SWL-ALERT, SCRL, SCWL, SCWL-CLR-ALERT, HRL, HWL, CHRL, CHWL, CHSRL, CHSWL, CHSRL, CHSCWL.

PHYSICAL SPECIFICATIONS

Standard Operating Temperature: -40°F to 151°F (40°C to 66°C)

Humidity Range: 10 to 93% non-condensing

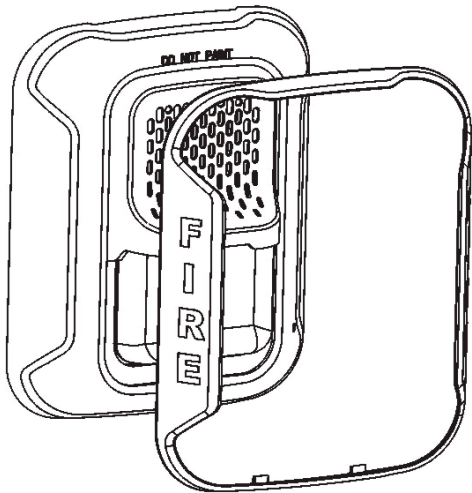
Nominal Voltage: Regulated 120 VAC

Operating Voltage Range: 96-132 VAC

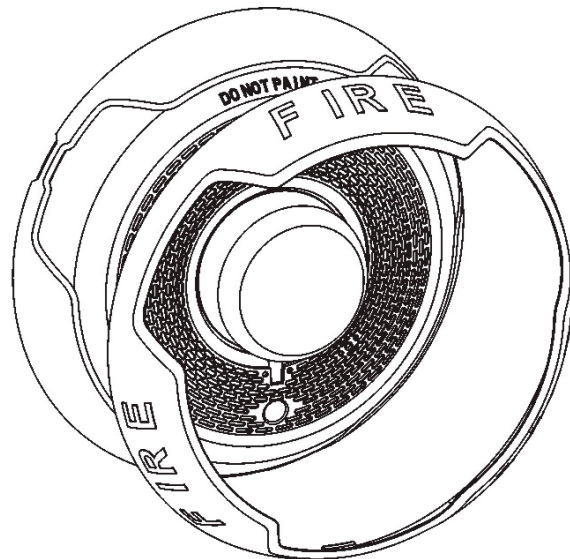
Current Draw from AC Line: 150 mA max

L-SERIES BEZELS

The L-Series bezels are for installation with strobes, horns, chimes, horn strobes, chime strobes, and speaker strobes. Bezels are offered in red and white for both wall and ceiling devices. Available in FIRE, ALERT, EVAC, AGENT, Plain (no marking), FUEGO, and FOGO. Operating temperature shall be -40°F to 151°F.



SQUARE MOUNTING PLATE



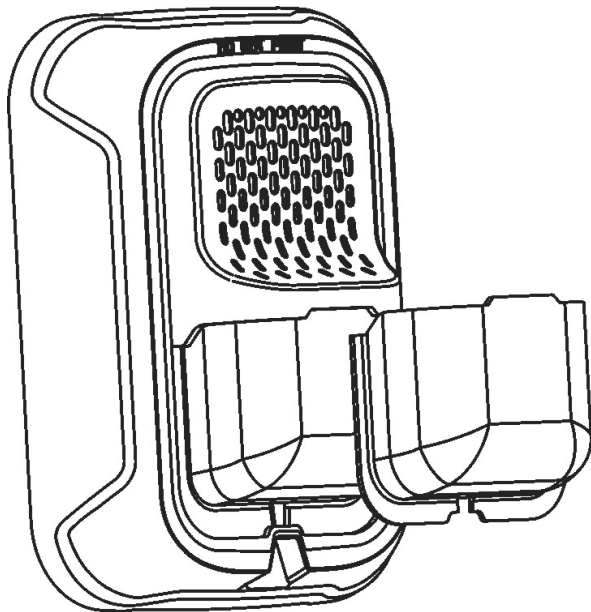
ROUND MOUNTING PLATE

COLORED LENS ATTACHMENTS

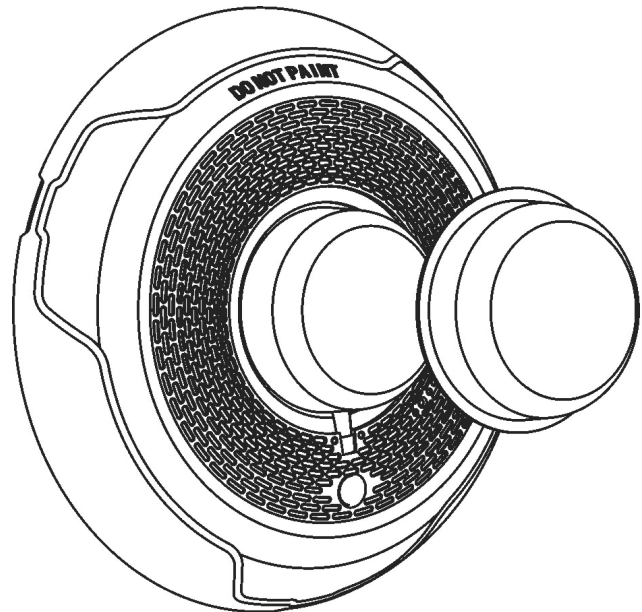
The System Sensor L-Series colored lens attachments shall be approved for fire protective service as listed in UL 1638. The lens attachments shall only be used with plain (no "FIRE" print) System Sensor strobe devices or in conjunction with a non-fire printed bezel. The lens shall mount to any wall- or ceiling-mount strobes and shall be rated from -35°F to 151°F.

COMPATIBILITY

Colored lens attachments may be used with the following System Sensor L-Series plain (non-FIRE-printed) strobe models: P2RL-P, P2WL-P, SRL-P, SWL-P, SPSRL-P, SPSWL-P, SPSCWL-P, or any device used with a non-FIRE printed bezel.



INSTALLATION TO WALL-MOUNT STROBE



INSTALLATION TO CEILING-MOUNT STROBE

ORDERING INFORMATION

SURFACE MOUNT BACK BOX

SBBRL: Red, wall-mount, compatible with horns strobes, horn strobes, chimes and chime strobes

SBBWL: White, wall-mount, compatible with horns, strobes, horn strobes, chimes and chime strobes

SBBSPRL: Red, wall-mount, compatible with speakers and speaker strobes

SBBSPWL: White, wall-mount, compatible with speakers and speaker strobes

SBBRCR: Red, ceiling-mount compatible with horns, strobe, horn strobes, chimes, chime strobes, speakers and speaker strobes

SBBRCWL: White, ceiling-mount, compatible with horns, strobe, horn strobes, chimes, chime strobes, speakers and speaker strobes

SBBGR: Red, wall-mount, compatible with compact horns, strobes, horn strobes

SBBGW: White, wall-mount, compatible with compact horns, strobes, horn strobes

BEZELS*

BZR: Wall Red Bezel Kit

BZW: Wall White Bezel Kit

BZGR: Compact Wall Red Bezel Kit

BZGW: Compact Wall White Bezel Kit

BZRC: Horn Strobe Ceiling Red Bezel Kit

BZWC: Horn Strobe Ceiling White Bezel Kit

BZSPR: Speaker Wall Red Bezel Kit

BZSPW: Speaker Wall White Bezel Kit

BZSPRC: Speaker Ceiling Red Bezel Kit

BZSPWC: Speaker Ceiling White Bezel Kit

*Each bezel pack ships in a package of 5. For desired bezel option add -F (FIRE), -AL (ALERT), -EV (EVAC), -AG (AGENT), -P (Plain), -SP (FUEGO), -PG (FOGO) for desired printing.

ORDERING INFORMATION (CON'T)

COLORED LENS

LENS-B2: Wall-mount, blue
LENS-R2: Wall-mount, red
LENS-G2: Wall-mount, green
LENS-A2: Wall-mount, amber
LENS-BC2: Ceiling-mount, blue
LENS-RC2: Ceiling-mount, red
LENS-GC2: Ceiling-mount, green
LENS-AC2: Ceiling-mount, amber

RETROFIT PLATES (FOR USE WITH HORN STROBE & SPEAKER STROBE DEVICES)

RFPW: 9.5" x 7" white
RFP: 9.5" x 7" red

MOUNTING PLATE

MP120KL: 120 VAC Adapter Mounting Plate

SYNC MODULES

MDL3W: White, 12/24 volt Sync-Circuit module.
MDL3R: Red, 12/24 volt Sync-Circuit module

TRIM RINGS

TR-2: Universal wall trim ring, red
TRC-2: Universal ceiling trim ring, red
TR-2W: Universal wall trim ring, white
TRC-2W: Universal ceiling trim ring, white

For a complete listing of all compliance approvals and certifications, please visit www.farenhyt.com.

Microsoft, Windows, and the Windows Logo are registered trademarks or trademarks of Microsoft Corporation.

System Sensor® and Honeywell® are registered trademarks of and Farenhyt™ is a trademark of Honeywell International, Inc.

This document is not intended to be used for installation purposes. We try to keep our product information up-to-date and accurate. We cannot cover all specific applications or anticipate all requirements. All specifications are subject to change without notice.

For Technical Support, call 800-446-6444.

For more information

Learn more about Honeywell's Farenhyt Series and other products available by visiting www.farenhyt.com

Honeywell Farenhyt

12 Clintonville Road
Northford, CT 06472
800-328-0103