

## ECS-LOC

### Local Operating Console

The ECS-LOC (red) or ECS-LOCB (black) local operator console is a powerful addition to any emergency voice system for mass notification purposes. The console is a combination supervised remote microphone and annunciator which is compatible with the Honeywell Farenhyt Series Emergency Communication System and meets UL requirements for a local operator console (LOC).

The ECS-LOC provides an interface to the ECS series Emergency Communication Systems. It has a supervised on-board microphone for live communications and its annunciator is capable of performing complete operation of the fire alarm system, including silencing and resetting.

The console's emergency communication system operations includes an on-board supervised microphone, and all call and non-active call buttons that can quickly select all active or all non-active output groups. The system also lets you select an ECS message as a priority over fire.

The ECS-CE4 is a useful addition to an ECS-LOC application. It adds four audio circuits to the ECS-50W, ECS-100W or ECS-125W, mappable to 32 buttons controlling selected output groups. It is very useful for extended coverage and requires no additional space as it mounts inside the amplifier cabinet.

The 5880 LED / IO module can also be used with an ECS-LOC application. The module provides an effective means to customize your remote annunciation, providing 40 programmable LED outputs and eight supervised dry contact inputs. You can use up to eight 5880 modules on one ECS-LOC control panel for maximum flexibility. Its compact size enables it to be mounted inside the ECS-LOC, or in an accessory cabinet.

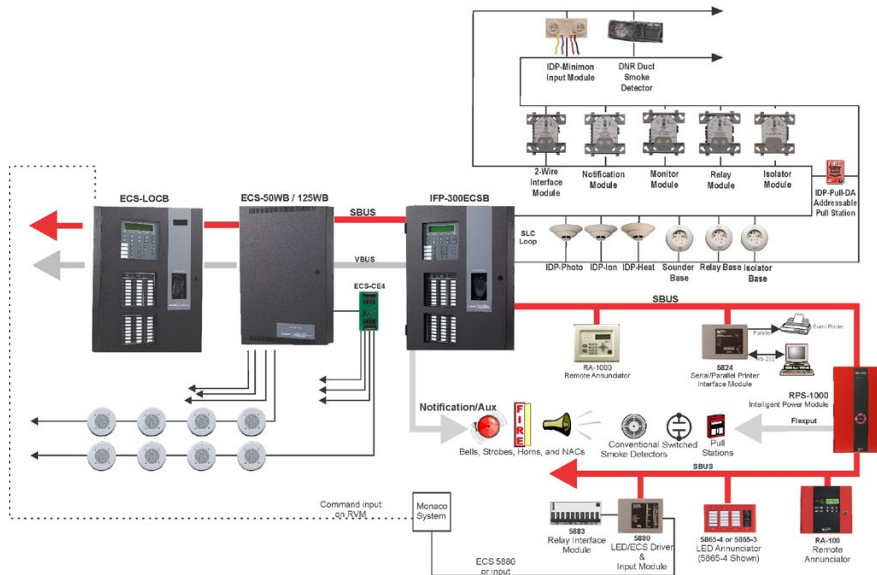


**ECS-LOCB**

## FEATURES & BENEFITS

- Provides additional communications and control options that are also available in the ECS primary panel
- Useful for extending system access to additional areas of a building or mass notification network
- Makes access to the communication system easier when immediate and timely communications are essential
- For added flexibility, it can also accept programmable trigger inputs from external source, such as a Monaco® system, to either the RVM or 5880. Up to eight inputs are available on the 5880 module.
- Up to 32 mappable speaker circuits can be connected on the ECS-LOC using a combination of the ECS-50W, ECS-100W ECS-DUAL50W or ECS-125W amplifiers. This is useful for extended reach during times when urgent emergency communication is required.
- The optional VIP-TR trim ring is useful for creating a visual appealing interface between the panel and mounting wall.

# ECS-LOC Technical Specifications



**EMERGENCY COMMUNICATION SYSTEM EXAMPLE**

## PHYSICAL

**Overall Dimensions:** 20"W x 26.5"H x 5.05"D  
(50.75 W x 67.3 H x 12.8D cm)

**Color:** Red or Black

## ENVIRONMENTAL

**Operating Temperature:** 32°F to 120°F (0°C to 49°C)

**Humidity:** 0 to 93% relative humidity (non condensing)

## ELECTRICAL

**Standby Current:** 105mA

**Alarm Current:** 175mA

## INSTALLATION

The ECS-LOC can be surface or flush mounted.

## ORDERING INFORMATION

ECS-LOC: Local Operator Console

## ACCESSORIES

ECS-SW24: 24 switch expander

VIP-TR: panel trim ring for flush mounting

5880: LED/IO module

ECS-CE4: 4 speaker circuit expander

RA-2000: Keypad annunciator

## AGENCY LISTINGS AND APPROVALS

UL 864 and UL 2572

Meets the requirements for NFPA 72 Local Protective Signaling Systems & Emergency Communication Systems

- CSFM: 7165-0559:0505
- FDNY COA # 6245
- Seismic (CA) (pending)
- FM approved

## COMPATIBILITY

The ECS-LOC is compatible with the following ECS FACPs:

- IFP-2100ECS: (max 15 per system)
- IFP-2100ECSB: (max 15 per system)
- IFP-2000ECS: (max 15 per system)
- IFP-1000ECS: (max 7 per system)
- IFP-300ECS: (max 7 per system)
- IFP-100ECS: (max 7 per system)

## For more information

Learn more about Honeywell's Farenhyt Series and other products available by visiting [www.farenhyt.com](http://www.farenhyt.com)

## Honeywell Security & Fire

12 Clintonville Road  
Northford, CT 06472  
800-328-0103

351633 | A | 11/17  
© 2017 Honeywell International Inc.

For a complete listing of all compliance approvals and certifications, please visit [www.farenhyt.com](http://www.farenhyt.com).

Microsoft, Windows, and the Windows Logo are registered trademarks or trademarks of Microsoft Corporation.

Honeywell® is a registered trademarks of and Farenhyt™ is a trademark of Honeywell International, Inc.

This document is not intended to be used for installation purposes. We try to keep our product information up-to date and accurate. We cannot cover all specific applications or anticipate all requirements. All specifications are subject to change without notice.

For Technical Support, Please call 800-446-6444.

**Honeywell**