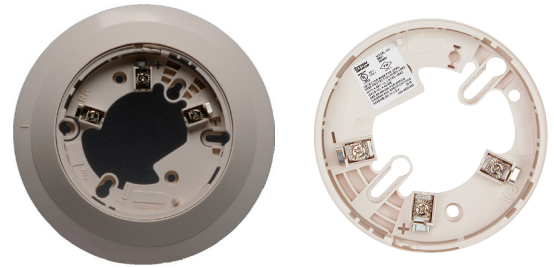


# Addressable Detector Bases

## B210LP and B501

The B210LP 6" Mounting Base and the B501 4" Mounting Base are plug-in detector bases for IDP style detectors intended for use with Silent Knight IFP-series fire alarm control panels (FACPs).

The B210LP and B501 have screw terminals for power (+) and (-) and remote annunciator connections. Communication takes place over the power (+) and (-) lines.



**B210LP**

**B501**

### Installation

The B210LP and B501 can be mounted on a variety of junction boxes as shown in the tables below.

#### U.S. Junction Box Selection Guide\*

MODEL	SINGLE GANG	3.5" OCT	4" OCT	4" SQ
B210LP	Yes	Yes	Yes	Yes
B501	No	Yes	No	No

#### Metric Junction Box Selection Guide\*

MODEL	50MM	60MM	70MM	75MM
B210LP	No	No	No	No
B501	Yes	Yes	Yes	No

\* Box depth is contingent on base and wire size. Refer to the National Electric Code or applicable local codes for appropriate recommendations.

### Compatibility

The B210LP and B501 are compatible with the following IDP series detectors:

- IDP-Photo Photoelectric Smoke Detector
- IDP-Photo-T Photoelectric Smoke Detector with Thermal
- IDP-Acclimate Multicriteria Photoelectric Smoke Detector
- IDP-Heat Fixed Temperature Thermal Detector
- IDP-Heat-ROR Rate-of-Rise Detector with Thermal
- IDP-Heat-HT Fixed High Temperature Thermal Detector

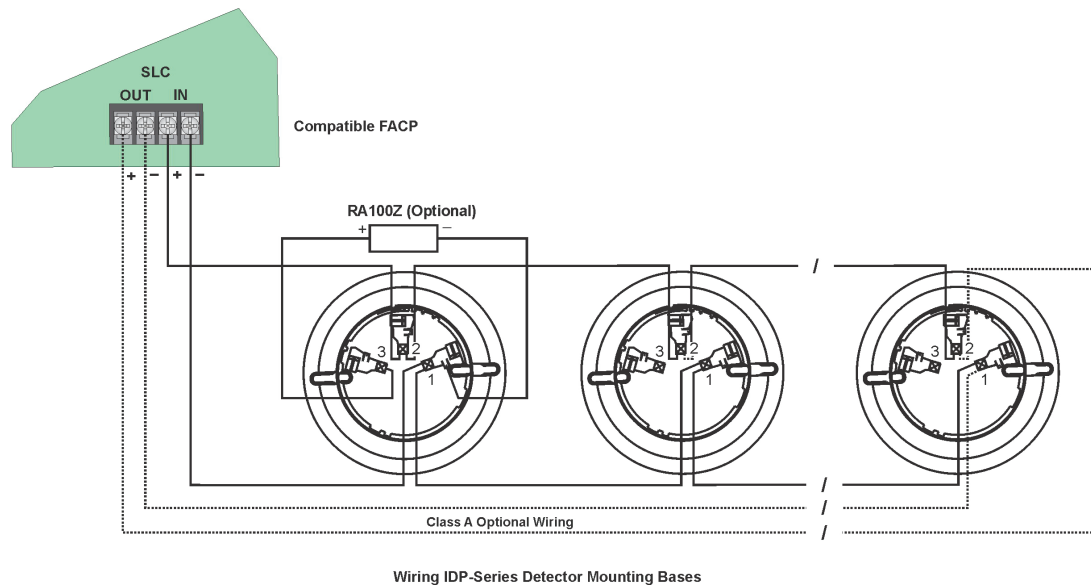
The B210LP and B501 are compatible with the following Farenhyt Series FACPs:

- IFP-2100 / IFP-2100ECS / RFP-2100
- IFP-2000 / IFP-2000ECS / RPS-2000
- IFP-1000 / IFP-1000ECS
- IFP-300 / IFP-300ECS
- IFP-100 / IFP-100ECS
- IFP-75
- IFP-50

## FEATURES & BENEFITS

- Plug-in mounting provides ease of installation
- Tamper-proof feature prevents removal of the detector without the use of a tool
- Range of mounting options to meet any application
- Rotary address switches for fast installation
- Optional remote LED annunciator (PN RA100Z)
- SEMS screws
- 12-22 AWG wire ranges for installation flexibility
- UL Listed
- CSFM Listed
- MEA Listed 205-94-E Vol. IX

# B210LP and B501 Technical Specifications



## SPECIFICATIONS

### Physical

**B210LP Diameter:** 6.1" (155 mm)

**B501 Diameter:** 4.1" (104 mm)

### ELECTRICAL RATINGS

**Operating Voltage:** 15 to 32VDC

**Wire Gauge:** 18-12

**SLC Standby and Alarm Current:** 170 $\mu$ A

### Terminals

**Terminal 1:** Power (-) and Optional RA100Z

**Terminal 2:** Power (+)

**Terminal 3:** Optional RA100Z Remote Annunciator

### ENVIRONMENTAL

**Operating Temperature:** 32°-120°F (0°C – 49°C)

**Humidity:** 10 to 93% non-condensing)

## ORDERING INFORMATION

**B210LP:** 6" Mounting Base

**B501 4:** Mounting Base

**B210LPBP:** 6" Mounting Base bulk pkg of 10

## ACCESSORIES

**RA100Z:** Remote LED Annunciator.

**XR2B:** Detector Removal Tool. A removal and replacement tool for IDP plug-in detectors. Includes the T55-127-000.

**M02-04-00:** Detector Test Magnet.

**M02-09-00:** Test Magnet with Telescoping Handle.

**XP-4:** Extension Pole for XR2B. Extends from 5 – 15 ft.

**T55-127-000:** Detector Removal Head.

**BCK-200B:** Black Detector Kit. For IDP-series detectors.

**F210:** Accessory flange ring for B210LP

For a complete listing of all compliance approvals and certifications, please visit [www.farenhyt.com](http://www.farenhyt.com).

Microsoft, Windows, and the Windows Logo are registered trademarks or trademarks of Microsoft Corporation.

Honeywell® and System Sensor® are registered trademarks of and Farenhyt™ is a trademark of Honeywell International, Inc.

This document is not intended to be used for installation purposes. We try to keep our product information up-to-date and accurate. We cannot cover all specific applications or anticipate all requirements. All specifications are subject to change without notice.

For Technical Support, Please call 800-446-6444.

## For more information

Learn more about Honeywell's Farenhyt Series and other products available by visiting [www.farenhyt.com](http://www.farenhyt.com)

## Honeywell Security & Fire

12 Clintonville Road  
Northford, CT 06472  
800-328-0103