

# Farenhyt



**SILENT  
KNIGHT**

by Honeywell  
Intelligent Devices

## B224RB

The B224RB is a 6" mounting base with a built-in form C relay contact. The B224RB lets you control a wide variety of normally open and normally closed applications. Because the relay is addressable, the relay device can be located at any point in the signaling line circuit. IDP-series detectors intended for use with Silent Knight IFP-series fire alarm control panel (FACP) plug into the B224RB.

### Features

- One form C contact relay
- Support for Class A and Class B wiring
- Fully supervised
- Plug-in mounting provides ease of installation
- Tamper-proof feature prevents removal of the detector without the use of a tool
- Range of mounting options to meet any application
- B501 allows for aesthetically pleasing installation with Recessed Mounting Kit (RMK400)
- UL Listed

### Installation

The B224RB can be mounted on a variety of junction boxes as shown in the table below.

Junction Box Selection Guide\*

U.S. Junction Boxes			
Single Gang	3.5" Oct	4" Oct†	4" Sq
No	Yes	Yes	Yes
Metric Boxes Junction			
50 mm	60 mm	70 mm	75 mm
No	No	Yes	Yes

\* Box depth is contingent on base and wire size. Refer to the National Electric Code or applicable local codes for appropriate recommendations.

† With 3.0 mud ring.

### Agency Listings



B224RB Relay Base (Detector Not Included)

### Compatibility

The B224RB is compatible with the following IDP-series detectors:

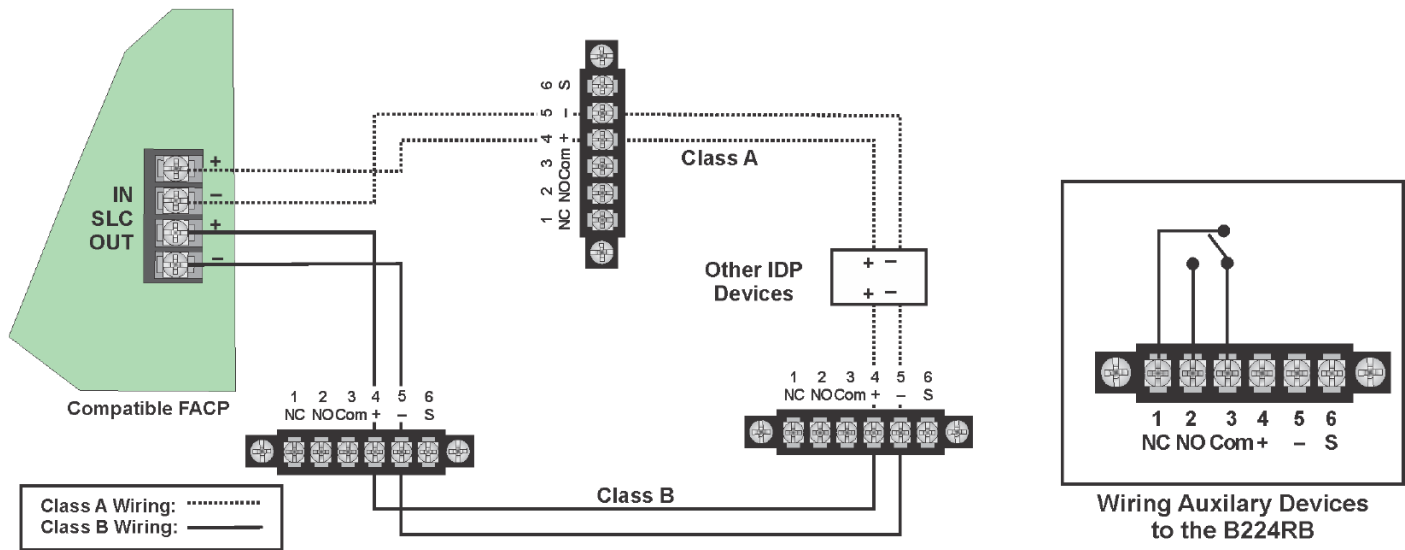
- IDP-Photo Photoelectric Smoke Detector
- IDP-Photo-T Photoelectric Smoke Detector with Thermal
- IDP-Acclimate Multicriteria Photoelectric Smoke Detector
- IDP-Ion Ionization Smoke Detector
- IDP-Heat Fixed Temperature Thermal Detector
- IDP-Heat-ROR Rate-of-Rise Detector with Thermal
- IDP-Heat-HT Fixed High Temperature Thermal Detector

The B224RB is compatible with the following FACP's:

- IFP-2000 / RPS-2000 Intelligent Fire Panel
- IFP-1000 / ECS Intelligent Fire Panel
- IFP-100 / ECS Intelligent Fire Panel
- IFP-50 Intelligent Fire Panel

P/N 350299 Rev E

Copyright © 2013 Honeywell International Inc.



Wiring B224RB Relay Bases to the FACP

## Specifications

### Physical

Height: 1.2" (3.1 cm)  
 Diameter: 6.1" (15.5 cm)

### Electrical

Wire Gauge: 18–14  
 Operating Voltage: 15 – 32 VDC  
 Standby Current: 500  $\mu$ A max @ 24 VDC

### Environmental

Operating Temperature: 32°F – 120°F (0°C – 49°C)  
 Humidity: 10% – 93% non-condensing

### Relay Characteristics

Coil: 2 coil latching  
 Contact Type: 1 form C  
 Resistive: 2A @ 30 VDC  
 Inductive: 300 mA @ 100 VDC (with 0.35 PF or greater)  
 300 mA @ 120 VAC (with 0.35 PF or greater)  
 1A @ 30 VDC (with 0.6 PF or greater)

## Ordering Information

B224RB 6" Relay Base

## Accessories

RMK400	Recessed Mounting Kit. Provides low profile for use with B501.
XR2B	Detector Removal Tool. A removal and replacement tool for IDP plug-in detectors. Includes the T55-127-000.
M02-04-01	Detector Test Magnet.
M02-09-00	Test Magnet with Telescoping Handle.
XP-4	Extension Pole for XR2B. Extends from 5 – 15 ft.
T55-127-000	Detector Removal Head
BCK-200B	Black Detector Kit. For IDP-series detectors.



This document is not intended to be used for installation purposes. We try to keep our product information up-to-date and accurate. We cannot cover all specific applications or anticipate all requirements. All specifications are subject to change without notice. For more information, contact Silent Knight 12 Clintonville Road, Northford, CT 06472-1610  
 Phone: (800) 328-0103, Fax: (203) 484-7118. For Technical Support, Please call 800-446-6444. [www.farenhyt.com](http://www.farenhyt.com)