

# Farenhyt



SILENT  
KNIGHT

by Honeywell

## Analog Duct Smoke Detector SD505-DUCT

The SD505-DUCT analog duct smoke detector is a heavy duty detector housing with the SD505-APS Analog Photoelectric Smoke Sensor pre-installed. It provides early detection of smoke and products of combustion present in air moving through HVAC air handling systems

When smoke is detected in a duct, the unit communicates the condition to the fire alarm control panel. The panel can be programmed to turn fans, blowers, and other devices off to prevent the recirculation of smoke in areas by the air handling system.

### Features

- Two-wire connection to SLC
- LED alarm indication and communication on sensor head
- Detects and limits the spread of smoke
- Rugged steel backbox with clear plastic cover
- Large terminal connection screws
- 3 standard tube lengths
- Installs quickly and easily
- Meets UL 286A requirements
- Complies with NFPA 72 and 101

### Specifications

#### Physical

Dimensions: 9 1/8" H x 7.25" W x 2.25" D

Net weight: 3lbs

Color: Gray backbox with clear cover

#### Electrical

Alarm Current: 0.55 mA (alarm and standby)

#### Air Velocity

300-4000 fpm

#### Environmental:

Ambient Temperature: 32° F to 120° F (0°C to 49°C)

Humidity: 10 to 85% RH, non-condensing

## Agency Listings



SD505-DUCT

## Compatible Control Panels

The SD505-DUCT is compatible with the following FACP's:

IFP-2000 / RPS-2000 Intelligent Fire Panel

IFP-1000 Intelligent Fire Panel

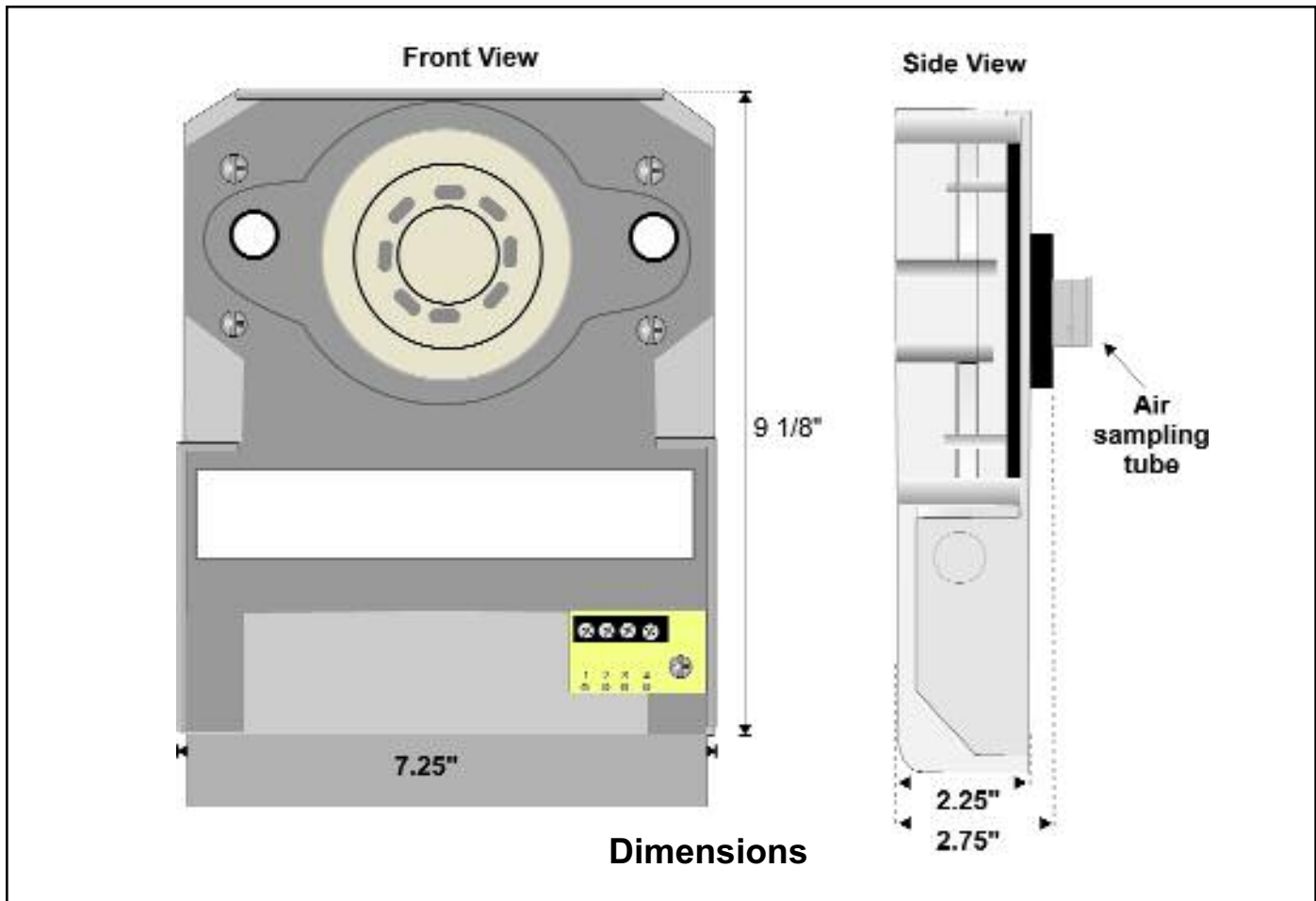
IFP-100 Intelligent Fire Panel

IFP-50 Intelligent Fire Panel

P/N 350024 Rev B

© 2011 Honeywell International Inc.

## SD505-DUCT



### Included Parts:

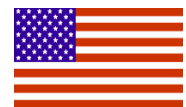
- Metal housing with 7.5" exhaust tube
- SD505-APS analog Photoelectric sensor
- Installation template
- 4 mounting screws

### Accessory model numbers: (Parts Not included with SD505-DUCT)

- SD505-T2 Sampling tube for 6" to 2.5' duct width
- SD505-T5 Sampling tube for 2.5' to 5.0' duct width
- SD505-T10 Sampling tube for 5.0' to 10.0' duct width



This document is not intended to be used for installation purposes. We try to keep our product information up-to-date and accurate. We cannot cover all specific applications or anticipate all requirements. All specifications are subject to change without notice. For more information, contact Silent Knight 7550 12 Clintonville Road Northford, CT 06472-1610 Phone: (800) 328-0103, Fax: (203) 484-7118. [www.silentknight.com](http://www.silentknight.com)



Made in the U.S.A.