

Phoenix Controls single body valves are available in a variety of flange styles. All available varieties are described in the ordering guides of the valve product data sheets.

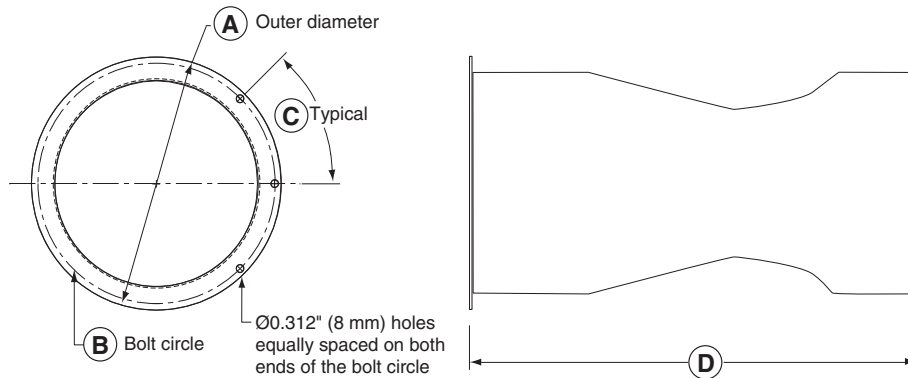
- Without flanges (Number of Valve Bodies = 1)
- With two welded circular flanges (Number of Valve Bodies = F)
- With one single square flange (Number of Valve Bodies = 1 and Valve Options = SFD or SFI)
- With two single square flanges (Number of Valve Bodies = 1 and Valve Options = SFB)

DIMENSIONS AND BOLT HOLE PATTERNS

This product data sheet identifies the dimensions of single body valves with each of the above flange options. All other product details (specifications, weights, installation, maintenance and troubleshooting) are identified on the valve product data sheets.

Two Welded Circular Flanges

(Number of Valve Bodies = F)

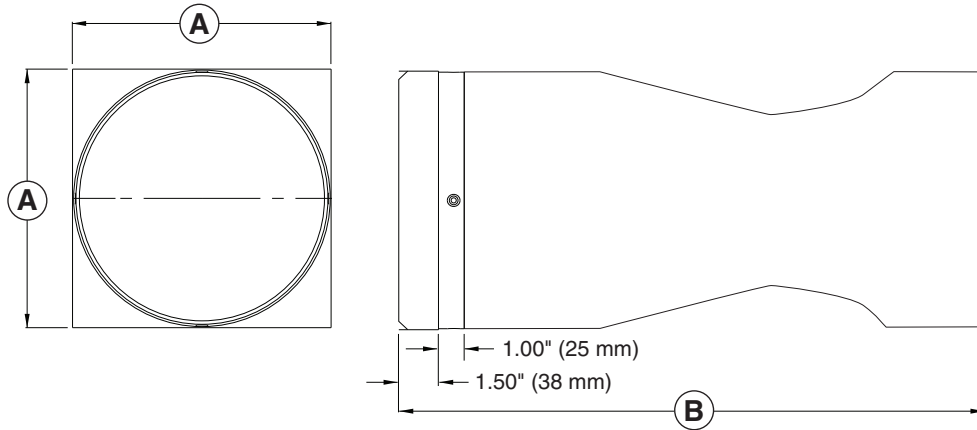


	Number of Bolt Holes	A		B		C Degrees	D	
		inches	mm	inches	mm		inches	mm
8"	6	10.28	261	9.375	238	60	23.50	597
10"	6	12.75	324	11.375	289	60	21.75	552
12"	8	14.75	375	13.375	340	45	26.81	681
14"	8	16.75	425	15.375	391	45	30.00	838

Sheet metal contractors can order circular duct flanges to match these bolt hole patterns by contacting Midwest Metal Products at anglerings.com, (219) 879-8595, or sales@ringmidwest.com. Use the following table to determine which Midwest Metal Products to order.

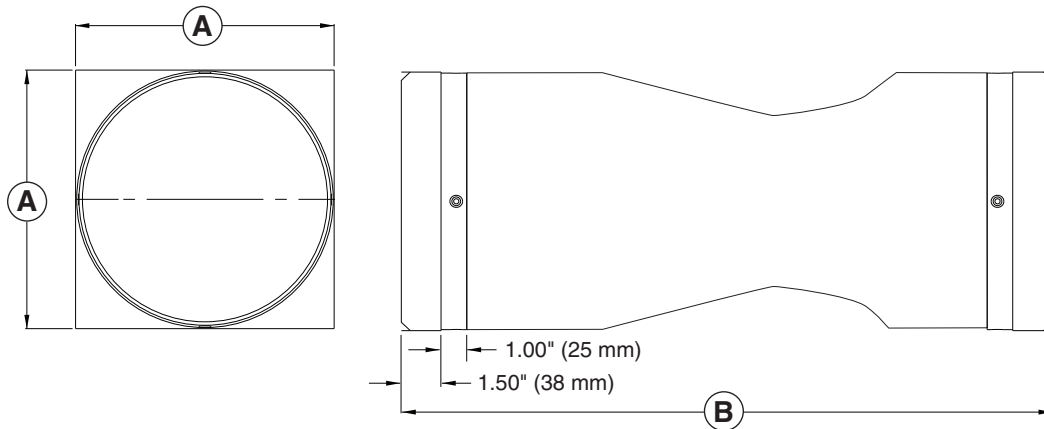
Number of Valve Bodies and Size	Midwest Metal Products Item Description
F08	1 x 1 x 1/8 (enter desired material) Angle Rolled Leg-Out to 8" ID Punched (Custom) with 6-5/16" Round Holes on a 9-3/8" Bolt Circle
F10	1-1/4 x 1-1/4 x 1/8 (enter desired material) Angle Rolled Leg-Out to 10" ID Punched (Custom) with 6-5/16" Round Holes on a 11-3/8" Bolt Circle
F12	1-1/4 x 1-1/4 x 1/8 (enter desired material) Angle Rolled Leg-Out to 12" ID Punched (Custom) with 8-5/16" Round Holes on a 13-3/8" Bolt Circle
F14	1-1/4 x 1-1/4 x 1/8 (enter desired material) Angle Rolled Leg-Out to 14" ID Punched (Custom) with 8-5/16" Round Holes on a 15-3/8" Bolt Circle

One Single Square Flange (Number of Valve Bodies = 1 and Valve Options = SFD or SFI)



	A		B	
	inches	mm	inches	mm
8"	8.13	207	25.00	635
10"	10.13	257	23.25	591
12"	12.13	308	28.31	719
14"	15.00	381	31.5	800

Two Single Square Flanges (Number of Valve Bodies = 1 and Valve Options = SFB)



	A		B	
	inches	mm	inches	mm
8"	8.13	207	26.50	673
10"	10.13	257	24.75	629
12"	12.13	308	29.81	757
14"	15.00	381	33.00	838

OSHPD Certified

These devices are certified for OSHPD Seismic Certification Preapproval per 2013 CBC, 2012 IBC, ASCE 7-10, and IEC-ES-AC-156. OSHPD Special Certification number OSP-0290-10.

ISO

Phoenix Controls Designs, Develops, Manufactures, and sells products, systems, and service to control the environment and airflow of critical spaces. Phoenix Controls is registered to ISO 9001:2015.

Warranty

Phoenix Controls Warrants all venturi valves against defects in material and workmanship for a period of 5 years. In addition, all other equipment manufactured by Phoenix Controls, such as sash sensors, fume hood monitors, and equipment supplied but not manufactured by Phoenix Controls is covered by a 3 year warranty.