

# MAXPRO<sup>®</sup> NVR XE

## 8/16-Channel Entry Level NVR



OPERATIONAL	
MAXPRO NVR SOFTWARE - VERSION 5.6 OR ABOVE	
<b>DATABASE</b>	Microsoft® SQL Server® 2012 Express
<b>OPERATING SYSTEM</b>	Windows 10 IoT Enterprise for Embedded Systems
<b>IMAGE COMPRESSIONS SUPPORTED</b>	MJPEG, MPEG-4, H.264, H.265
<b>SUPPORTED HONEYWELL IP CAMERAS AND ENCODERS</b>	Supports Performance Series IP, equip® Series cameras. Refer to <a href="http://www.security.honeywell.com/hota/compatibility/index.html">www.security.honeywell.com/hota/compatibility/index.html</a>
<b>SUPPORTED THIRD PARTY IP CAMERAS AND ENCODERS</b>	Refer to the MAXPRO NVR Compatibility for a comprehensive list of compatible products to which this device is integrated. <a href="http://www.security.honeywell.com/hota/compatibility/index.html">www.security.honeywell.com/hota/compatibility/index.html</a>
<b>AUDIO SUPPORT</b>	1-way audio for specific IP camera models. Refer to <a href="http://www.security.honeywell.com/hota/compatibility/index.html">www.security.honeywell.com/hota/compatibility/index.html</a>
<b>MAXIMUM NUMBER OF DESKTOP CLIENT CONNECTIONS</b>	Desktop Client - 18 remote per unit from 9 remote workstations + 1 local on NVR server
<b>SALVO LAYOUTS</b>	Desktop Client - Full, 2x2, 1x5, 3x3, 2x8, 1x12, 4x4. Web Client - 2x2, 1x1, 1x2, 1x3. Mobile app (Phone) - 2x2, 2x4, 1x2, 1x1. Mobile app (Tablet) - 3x3, 2x2, 1x1.
<b>PICTURE CONTROLS PER CAMERA</b>	Sharpness, blur, brightness, contrast, hue, saturation, maintain aspect ratio, stretched, original size and picture mirror
<b>OSD</b>	Concealed text option
<b>PLAYBACK CONTROLS PER CAMERA - DESKTOP CLIENT</b>	FWD/REV Play x (1, 2, 4, 8, 16) Slow FWD/REV Play x (1/2, 1/4, 1/8)
<b>SEARCH TYPES</b>	Time/date timeline, time jump FWD/REV, bookmarks, calendar, preview, film strip, event search and SMART Motion Search
<b>RECORDING SCHEDULE</b>	Continuous and event based with H/M/D and holiday and exception days
<b>RECORDING METHODS PER CAMERA</b>	Continuous, event based and user activated
<b>LIVE SETTINGS PER CAMERA</b>	Compression format, resolution and frame rate
<b>RECORD SETTINGS / CAMERA</b>	Same as live or reduced frame rate
<b>CLIP FORMAT</b>	Honeywell MPVC playable with standalone MAXPRO Clip Player for faster and secure exports. WMV with digital certificate for authentication playable with Windows media player. ASF for faster exporting of longer than an hour backup clips in native compression format.
<b>VIDEO CLIP AUTHENTICATION</b>	Digital signature, verification tool provided
<b>MOTION DETECTION LOCATION</b>	Camera based for supported models or Server based (SMART VMD) for all models (except 360 fisheye / panomorph views)
<b>EVENT RECORDING</b>	Pre and post duration setting
<b>OPERATOR REPORTING</b>	Per user, configurator, session and viewer
<b>EVENT REPORT</b>	Per camera or recorder events
<b>OPERATORS</b>	1024

<b>MAX VIDEO STREAMS SUPPORT</b>	Web Client: Live - 64 streams, Playback - 32 streams. Note: Live streams consumed are per camera being viewed live and duplicate live views of the same camera in multiple or same web client instance are allowed without consuming additional streams. Playback streams consumed are per playback stream being viewed and each playback stream being viewed consumes 1 additional stream. Desktop Client: Live - 256 streams, Playback/Video retrieval sessions - 32. Sync playback - 9 streams. 256 live streams limit excludes 1 stream used per camera if SMART VMD is enabled. Mobile App: 16 streams of 1080p HD @ 5 fps each. Note: During archival operations, maximum no of playback streams recommended from Desktop Client and Web Client is 16 streams.
<b>SERVER BASED VMD (SMART VMD) PERFORMANCE - CHANNELS SUPPORTED</b>	All 8 or 16 channels supported at 480 fps @ 4CIF/VGA or 480 fps @ 720p HD or 480 fps @ 1080p HD or total 32 Megapixel.
<b>ARCHIVAL PERFORMANCE</b>	16 channels @ 4 Mbps bitrate each / 64 Mbps total archival throughput capacity. Outgoing archival storage throughput of 200 Mbps.
<b>MULTI-STREAM PERFORMANCE</b>	Support for maximum 128 streams. Support for configuring 1 preferred stream for continuous recording and 1 preferred stream for live video / motion based recording per camera.

OPERATIONAL	
MAXPRO NVR XE HARDWARE	
<b>PROCESSOR</b>	Intel® Core™ i5-7500, 3.4 GHz, Intel HD Graphics 630
<b>MEMORY</b>	8 GB DDR4
<b>POWER SUPPLY</b>	Single 300 W
<b>OS PARTITION</b>	250 GB M.2 SSD OS drive
<b>STORAGE CAPACITIES</b>	4 TB, 8 TB, 12 TB, 16 TB, 20 TB
<b>OPTICAL</b>	22x DVD-RW
<b>NETWORK</b>	Two 1 GB Ethernet included
<b>MOUSE AND KEYBOARD</b>	USB
REAR PANEL CONNECTIONS	
<b>USB</b>	4 Front, 6 Rear (including 4 USB 3.0)
<b>NETWORK</b>	2x RJ45
<b>MONITOR OUTPUT</b>	Dual monitor support - 2 HDMI, 1 DVI-I, 1 DVI-D
ELECTRICAL	
<b>INPUT VOLTAGE</b>	115-230 V AC, 60/50 Hz, max 300W
<b>POWER DISSIPATION</b>	Average BTU rating = 318 BTU/HR
MECHANICAL	
<b>DIMENSIONS (W X H X D)</b>	13" x 3.8" x 14.4" (330 mm x 96 mm x 365 mm)
<b>WEIGHT</b>	Unit: 25 lbs (11.36 kg)
ENVIRONMENTAL	
<b>TEMPERATURE</b>	Operating: 5°C to 40°C (40°F to 104°F) Storage: -10°C to 65°C (14°F to 150°F)
<b>RELATIVE HUMIDITY</b>	0% to 90% (non-condensing)
REGULATORY	
<b>EMISSIONS</b>	FCC Part 15, Subpart B; EN55022:2010
<b>IMMUNITY</b>	EN50130-4:2011
<b>SAFETY</b>	ANSI/UL 60950-1; CAN/CSA C22.2 60950-1; EN60950-1:2006+A11:2009+A12:2011 +A1:2010
WARRANTY	
<b>WARRANTY AND ADVANCED REPLACEMENTS</b>	Refer to <a href="https://www.security.honeywell.com/resources/warranties">https://www.security.honeywell.com/resources/warranties</a>

RECORDING AND MONITORING PERFORMANCE
480 fps @ 4CIF/VGA or 480 fps @ 720p HD or 480 fps @ 1080p (4 Mbps bitrate) HD. 1-way audio for up to 8 or 16 IP channels. Network bandwidth/throughput supported per NVR with Incoming: 80 Mbps, Outgoing: 240 Mbps providing a Total: 320 Mbps. Rendering performance using GPU of up to 4 1080p HD @ 30 fps / 120 fps on local client. Note: Oncam Grandeye 360 Cameras are not supported with GPU rendering and use CPU rendering by default.

# MAXPRO® NVR XE (Xpress Edition)

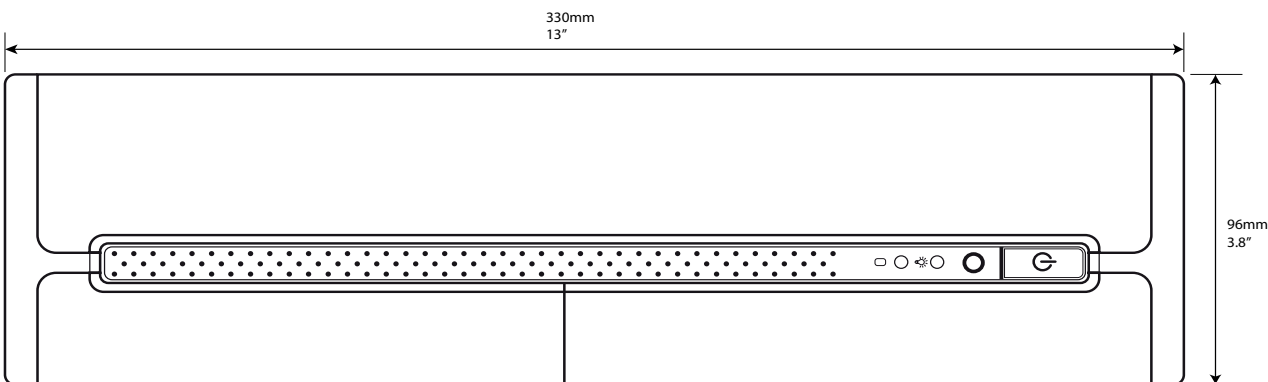
8/16-Channel Entry Level Network Video Recorder (NVR)

## HARDWARE FEATURES

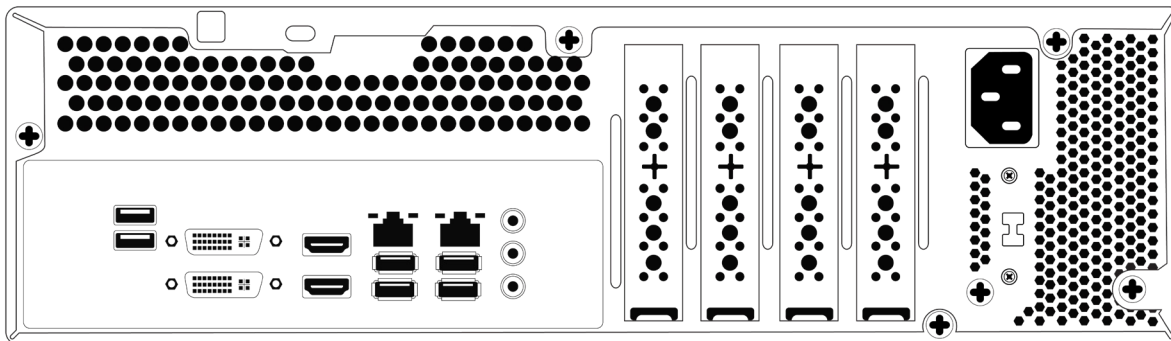
- Each unit records and monitors up to 8 or 16 cameras at 480 fps @ 4CIF/VGA or 480 fps @ 720p HD or 480 fps @ 1080p (4 Mbps bitrate) HD. Network bandwidth/throughput supported per NVR with Incoming: 80 Mbps, Outgoing: 240 Mbps; Total: 320 Mbps.
- Archival support of 16 channels @ 4 Mbps bitrate each / 64 Mbps total archival throughput capacity per MAXPRO NVR XE, with outgoing archival storage throughput of 200 Mbps
- Multi-stream support with maximum 128 streams per MAXPRO NVR XE. Support for configuring 1 preferred stream for continuous recording and 1 preferred stream for live video / motion based recording per camera
- Supports One-Way Audio (for specific IP cameras) with live, playback and clip export on desktop clients for up to 8 or 16 IP channels
- Includes HDMI, DVI-D and DVI-I ports for dual local monitor support providing access to monitoring and configuration interface
- Supports displaying 16 cameras at one time on the NVR local monitor and rendering performance using GPU of up to 4 1080p HD cameras @ 30 fps/ 120 fps on local client.
- Internal storage capacity of 4 TB/8 TB/12 TB/16 TB/20 TB
- DVD R/W drive for burning evidence clips. Includes dual 1 GB Network ports optimized to separate record and viewing data to ensure 100% recording and smooth playback even with multiple client connections.
- Small desktop type footprint suitable for small spaces

## SPECIFICATIONS

FRONT VIEW



REAR VIEW



# MAXPRO® NVR XE (Xpress Edition)

8/16-Channel Entry Level Network Video Recorder (NVR)

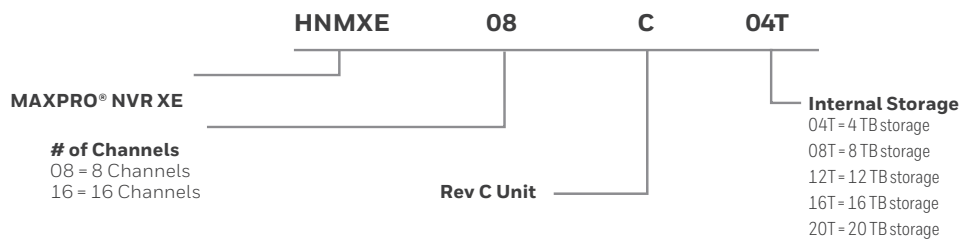
ORDERING			
MAXPRO NVR XE		MAXPRO NVR XE	
HNMXE08C04T	MAXPRO NVR XE, Rev C, 8 Channel, 4 TB	HNMXE16C04T	MAXPRO NVR XE, Rev C, 16 Channel, 4 TB
HNMXE08C08T	MAXPRO NVR XE, Rev C, 8 Channel, 8 TB	HNMXE16C08T	MAXPRO NVR XE, Rev C, 16 Channel, 8 TB
HNMXE08C12T	MAXPRO NVR XE, Rev C, 8 Channel, 12 TB	HNMXE16C12T	MAXPRO NVR XE, Rev C, 16 Channel, 12 TB
HNMXE08C16T	MAXPRO NVR XE, Rev C, 8 Channel, 16 TB	HNMXE16C16T	MAXPRO NVR XE, Rev C, 16 Channel, 16 TB
HNMXE08C20T	MAXPRO NVR XE, Rev C, 8 Channel, 20 TB	HNMXE16C20T	MAXPRO NVR XE, Rev C 16 Channel, 20 TB

## MAXPRO NVR XE - CHANNEL UPGRADE LICENSE

HNM01UP	MAXPRO NVR -1 Channel License Upgrade. Applicable for MAXPRO NVR XE, Rev C, 8 Channel (HNMXE08C***) units only to add support up to 16 Channels.
---------	--

Refer to the storage calculator on [www.security.honeywell.com](http://www.security.honeywell.com) to help determine what size unit to order.

## MAXPRO NVR XE - PART NUMBER LOOKUP



### Find out more

[www.security.honeywell.com/](http://www.security.honeywell.com/)

### Honeywell Commercial Security

715 Peachtree St. NE  
Atlanta, GA 30308  
1.800.323.4576  
[www.honeywell.com](http://www.honeywell.com)

ONVIF and the ONVIF logo are trademarks of ONVIF Inc. Honeywell reserves the right, without notification, to make changes in product design or specifications.

HSV-MPX-02-US(0619)DS-Z  
© 2019 Honeywell International Inc.

**THE  
FUTURE  
IS  
WHAT  
WE  
MAKE IT**

**Honeywell**