

CAB-5 Series Cabinets Backboxes with Locking Doors

General

All CAB-5 cabinets for fire alarm control panels are fabricated from 16-gauge steel. The cabinet assembly consists of two basic parts: a backbox and a locking door. Cabinets are available in black, with or without windows. The window model provides a tasteful combination to accent the decor of the finest lobby setting.

- The **key-locked door** is provided with a pin-type hinge for easy door removal during installation, two keys, and the necessary hardware to mount the door to the backbox.
- The **backbox** has been engineered to provide ease-of-entry for the installer. **Knockouts** are positioned at numerous points to aid the installer in bringing a conduit into the enclosure with a minimum of hardship.
- **Right- or left-hand hinges**, selectable in the field. Door opens 120°.
- Cabinets are arranged in **five standard sizes**, A (one tier) through E (five tiers). See *Ordering Information*.
- **Red cladding kits** available for ease of customization when red cabinets are required.
- Cabinet provides space for two batteries (up to 26 Amp Hour).

Ordering Information

A complete cabinet assembly consists of: a door, dress panels, a backbox, an optional battery plate, and an optional cladding kit (red color). For each cabinet required, order one "DR" door, one "SBB" backbox and dress panels. The BP-5 battery plate is required for each cabinet assembly that mounts batteries and/or a power supply in the lower position of the cabinet.

ONE TIER, "A" SIZE

DR-A5: Door assembly, window, one tier, BLACK, 15 lbs.

DR-A5B: Door assembly, solid door, one tier, BLACK, 18.5 lbs.

SBB-A5: Backbox assembly, one tier, BLACK, 22.5 lbs.

DTR-A5: Cladding kit (RED) for use with "A" size door

TWO TIERS, "B" SIZE

DR-B5: Door assembly, window, two tiers, BLACK, 21 lbs.

DR-B5B: Door assembly, solid door, two tiers, BLACK, 25.5 lbs.

SBB-B5: Backbox assembly, two tiers, BLACK, 29 lbs.

DTR-B5: Cladding kit (RED) for use with "B" size door

THREE TIERS, "C" SIZE

DR-C5: Door assembly, window, three tiers, BLACK, 24 lbs.

DR-C5B: Door assembly, solid door, three tiers, BLACK, 31 lbs.

SBB-C5: Backbox assembly, three tiers, BLACK, 36 lbs.

DTR-C5: Cladding kit (RED) for use with "C" size door

FOUR TIERS, "D" SIZE

DR-D5: Door assembly, window, four tiers, BLACK

DR-D5B: Door assembly, solid door, four tiers, BLACK

SBB-D5: Backbox assembly, four tiers, BLACK

DTR-D5: Cladding kit (RED) for use with "D" size door

FIVE TIERS, "E" SIZE

DR-E5: Door assembly, window, five tiers, BLACK

DR-E5B: Door assembly, solid door, five tiers, BLACK



N16 and two ACM-30 Annunciators in "B" sized CAB-5 Cabinet

SBB-E5: Backbox assembly, five tiers, BLACK

DTR-E5: Cladding kit (RED) for use with "E" size door

ACCESSORIES

DP-T2A: Dress panel, mounts one 10 inch touchscreen display and two ACM-30 annunciators

DP-4A: Annunciator dress panel. Mounts four ACM-30 annunciators

DP-BLN: Blank dress panel, covers one CAB-5 tier, BLACK

BP-5: Battery plate. Used to cover battery and power supply when lower position is used in backbox

DPA-C5: Audio dress panel for C5A-M, has openings for microphone, telephone and keypad

DPA-2A5: Audio dress panel for C5A-NW, has opening for keypad and mounts 2 annunciators

C5A-M: Audio chassis for mounting DVC and keypad, comes with microphone and well

C5A-NW: Audio chassis for mounting DVC and keypad

ABP-1: Blank plate for 1 ACM-30

CHS-CGW: Chassis for mounting the CGW-MB gateway

TELH-1: Firefighter's Telephone Handset for use with the DVC-EM when mounted in the C5A-M chassis

DP-ADP: Adapter plate to mount the RLD in an ABS-2D or a CAB4 enclosure, replacing an LCD-160.

ACM-1DB-RTO: Adapter plate to mount an ACM-30 in ABF-1DB, replacing ACM-24AT or ACM48A.

DP-NCD-2D: Inner Dress Plate to mount the NCD in an ABS-2D, replacing the NCA-2.

RLD-1DB-RTO: Adapter Plate to mount the RLD in ABF-1DB, replacing LCD2-80.

CGW-DACT-CH: Chassis for mounting HON-DACT-DS board inside CAB4/5 enclosure

SEISKIT-CAB: Seismic mounting kit. Required for seismic-certified applications with CPU-N16LD/LND/RTO and other equipment in CAB-4/5 Series Enclosures. Includes battery bracket for two 26 AH batteries.

CAB-4 CONVERSION

CHS-ADP: Adapter plate for mounting CAB-4 Series chassis into CAB-5 Series backboxes

DP-4A-CB4: Dress panel, mounts 4 ACM-30s in a CAB-4 Enclosure

DP-T2A-CB4: Dress panel, mounts one 10" touchscreen display and two ACM-30 annunciators in a CAB-4 Enclosure

Agency Listings and Approvals

The file number(s) below reference the specific listings for the modules in this document. In some cases, certain modules or applications may not be listed by certain approval agencies, or listing may be in process. Consult NOTIFIER for latest listing status.

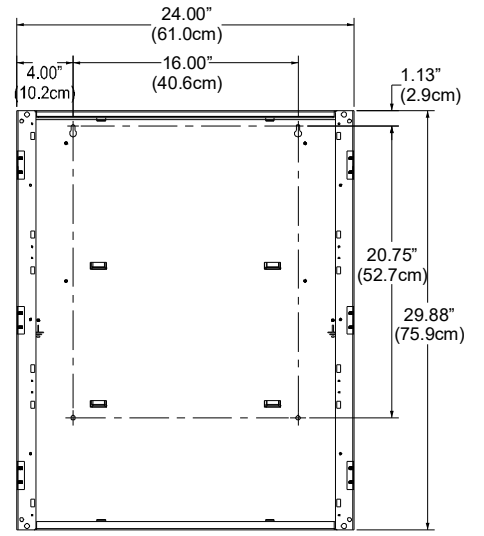
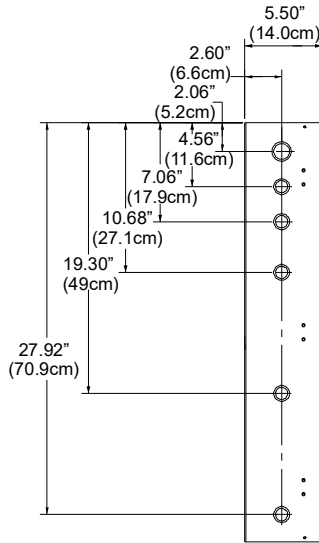
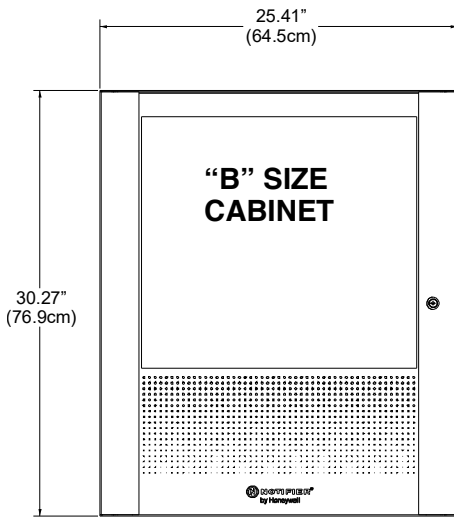
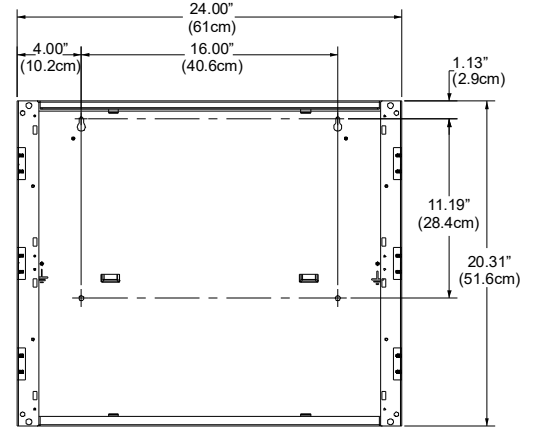
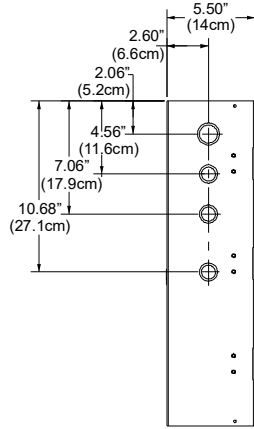
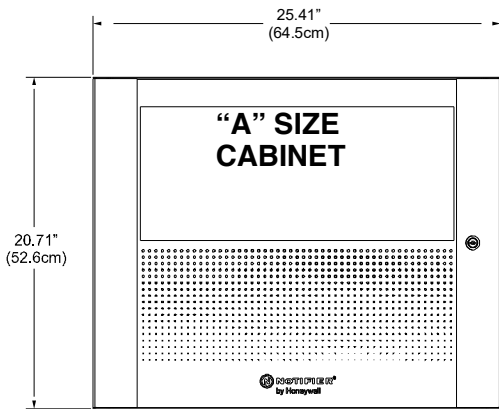
- **UL/ULC Listed:** S635
- **FM Approved:** FM23FPUS0095
- **CSFM:** 7165-0028:0516
- **FDNY:** COA#001761
- **Certified for Seismic applications in accordance with IBC 2024:** VMA-45894-01C
- **OSHPD Approved:** OSP-0072

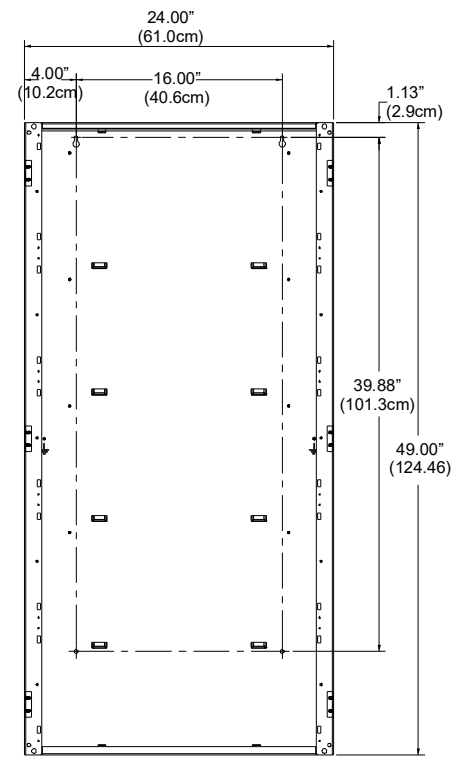
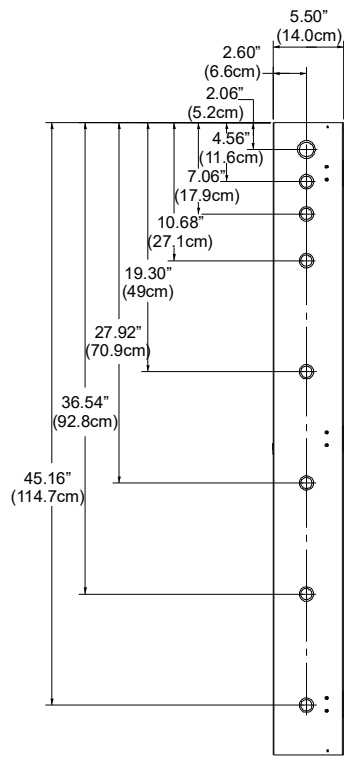
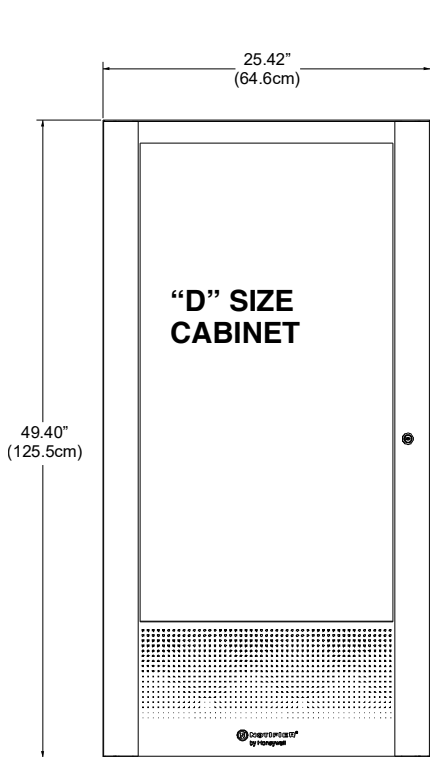
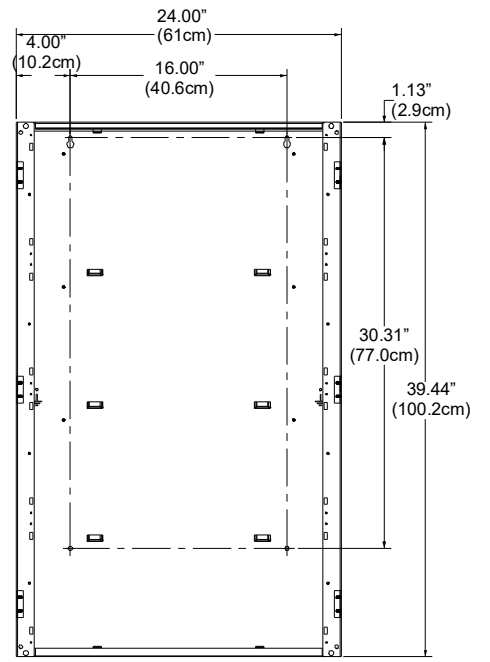
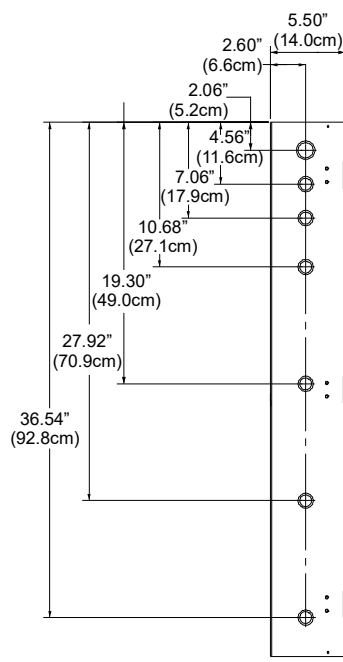
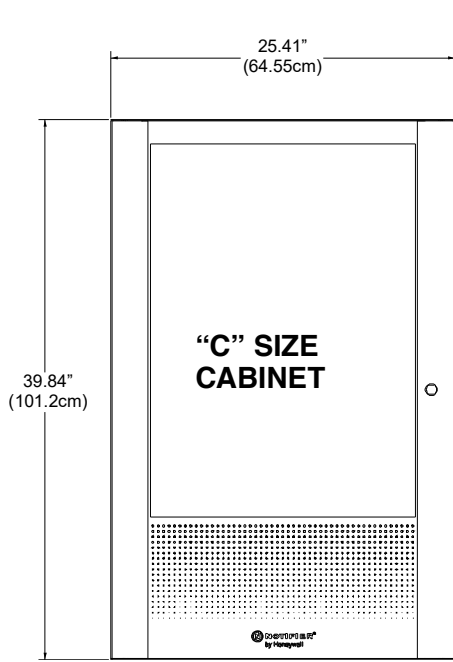
Standards and Codes

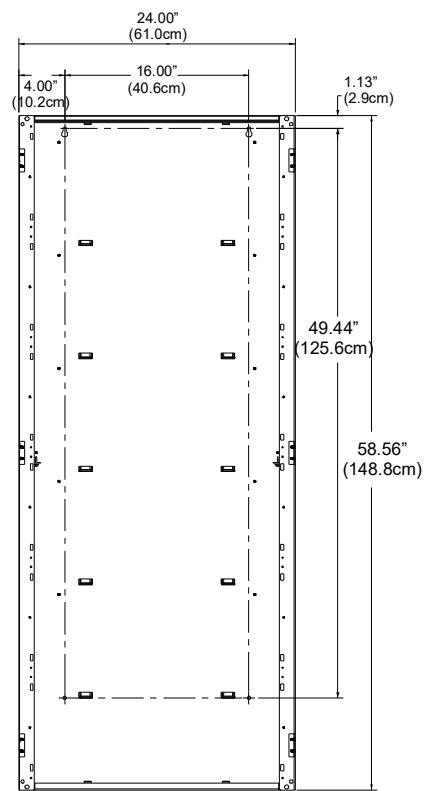
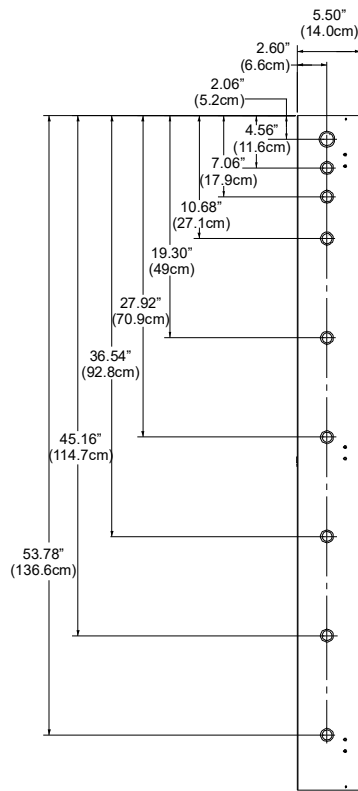
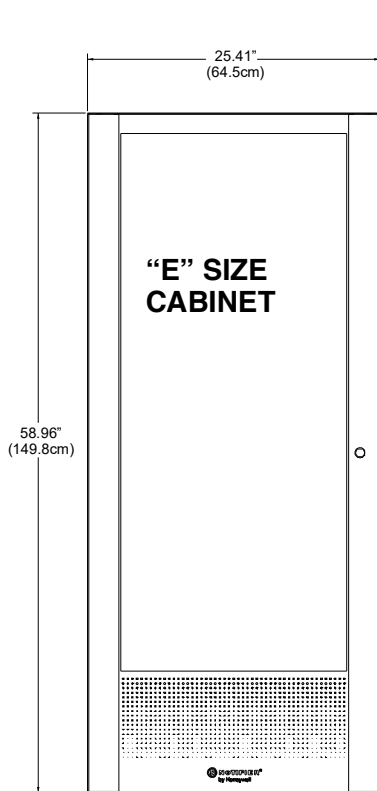
These listings and approvals below apply to the CAB5. In some cases, certain modules or applications may not be listed by certain approval agencies, or listing may be in process. Consult factory for latest listing status.

- **UL 864,** 10th edition (Control Units and Accessories for Fire Alarm Systems)
- **UL 2017** (General-Purpose Signaling Devices and Systems)
- **UL 2610** (Commercial Premises Security Alarm Units and Systems)
- **ULC-S527-19** (Control Units and Accessories for Fire Alarm Systems)
- Should be installed as per NFPA 72 National Fire Protection Association

Cabinet Dimensions and Features







ISO 9001
CERTIFIED
 ENGINEERING & MANUFACTURING
 QUALITY SYSTEMS

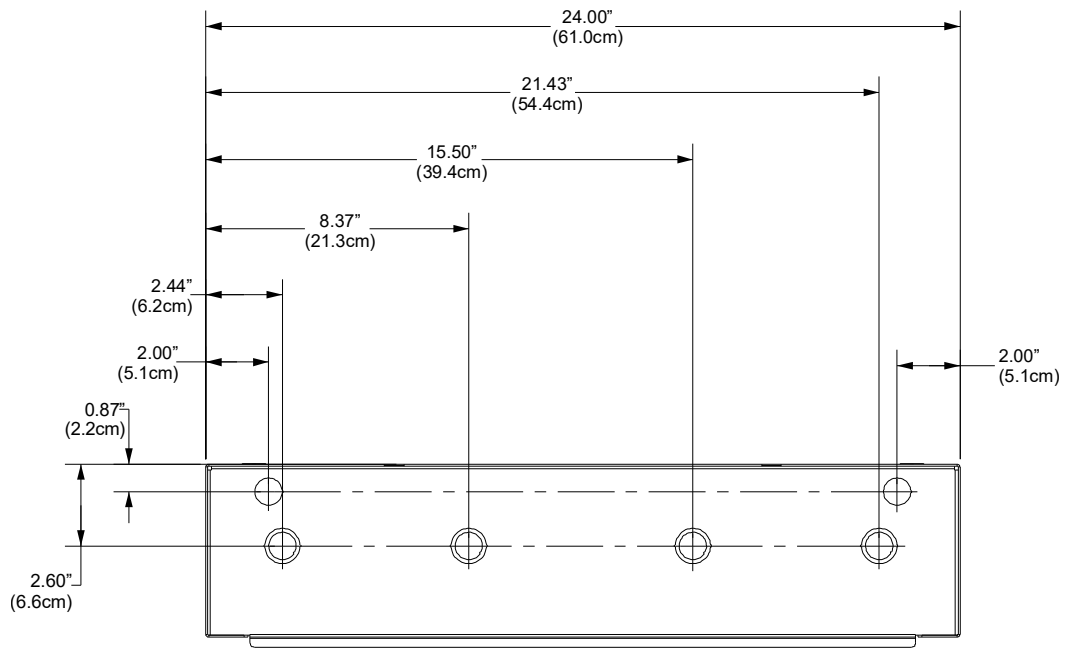
This document is not intended to be used for installation purposes.
 We try to keep our product information up-to-date and accurate.
 We cannot cover all specific applications or anticipate all requirements.
 All specifications are subject to change without notice.

NOTIFIER
 12 Clintonville Road
 Northford, CT 06472
 203.484.7161
 www.notifier.com

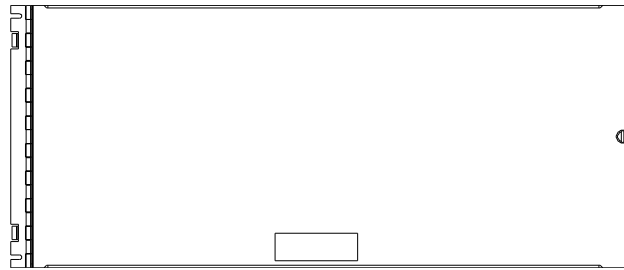
NOTIFIER® is a registered trademark of Honeywell International, Inc.
 ©2025 by Honeywell International Inc. All rights reserved. Unauthorized
 use of this document is strictly prohibited.
 Country of Origin: USA



Knockouts on Top of Cabinets



BP-5 Battery Plate



The BP-5 Battery Plate covers the Main Power Supply and the batteries in the cabinet. Only one BP-5 is required per cabinet.