

HD3MWIHX

EQUIP® SERIES WIDE DYNAMIC 720P INDOOR HIGH RESOLUTION TRUE DAY/NIGHT IP DOME CAMERA

Honeywell's latest addition to the EQUIP® Series of IP-based products, the HD3MWIHX, is a high-definition, Wide Dynamic, True Day/Night indoor fixed minidome network camera engineered to provide extremely crisp images at minimal bandwidth. The HD3MWIHX provides 720p resolution at full frame rate. Progressive scan technology and 2D edge enhancement provide outstanding clarity and definition. Digital Noise Reduction results in significant storage savings without sacrificing image quality in low light. The 1/3" progressive scan CMOS sensor offers the latest in digital video surveillance technology with accurate colour rendition through a wide variety of lighting conditions. The HD3MWIHX also supports the PSIA specification for interoperability between network video products.

The compact, one piece design provides fast and easy installation in any application. The camera comes complete with surface and flush mounting options (compatible with a 4S electrical box) and an optional wall/pendant mount kit is available.

In addition to the low light colour performance, the camera will automatically switch to black and white. In this mode, lighting can be complemented with infrared for discreet/covert low light surveillance with exceptional monochrome images. In high contrast lighting conditions, the HD3MWIHX delivers higher quality images and significantly better dynamic range (>100 dB) than conventional IP cameras. Designed for environments with difficult lighting, the HD3MWIHX camera offers a unique solution to capture the whole picture regardless of lighting condition or application.

A 3D axis gimbal capable of 360° of pan, 180° of tilt and 360° of horizontal rotation simplifies mechanical camera adjustment. The Vari-focal Auto Iris lens allows the field of view to be adjusted to suit the scene requirements, and an onboard analogue output allows the installer to connect a local test monitor while adjusting the camera field of view.

A powerful and intuitive web client allows fine tuning of the camera and the auto iris levels. This can also be performed from most NVR setup utilities.

The HD3MWIHX supports dual video streams and multiple compression formats with rates up to 30 frames per second (25 fps for PAL systems). The digital compression parameters for the two video streams are independently configurable. The HD3MWIHX features analogue video out for aiming and focusing.

With built-in low current Power over Ethernet (IEEE 802.3af), power is supplied to the camera using standard network cabling, eliminating the need for a separate power supply and associated wiring. In retrofit situations where PoE is not available, the unit can also be powered directly from 24 V AC.

Market Opportunities

The HD3MWIHX is perfect for installations where excellent picture clarity at minimal bandwidth is required. At three times the resolution of standard analogue cameras, yet with similar bandwidth requirements, the HD3MWIHX can be retrofitted on many existing NVR installations without requiring additional storage.

Features

- Outstanding image quality, 720p (1280 x 720) resolution
- 30 fps (25 fps PAL) progressive scan
- True Day/Night, 3.3–12 mm VFAI lens with mechanical IR cut filter
- Dynamic Range: 115dB
- Camera tamper detection
- Video motion detection
- Wall/pendant mount kit available
- Selectable compression formats
- Dual digital video streams simultaneously, independently configurable
- Remote firmware update
- Supports both dynamic and static IP addresses
- Single model for surface mount and recessed ceiling applications, 4S adapter plate also supplied
- Includes advanced IP locator software to make system setup easy
- Web server for remote setup of camera video and network parameters
- Choice of 24 V AC or PoE IEEE 802.3af power inputs
- Supports input and output alarm contacts
- Supports bidirectional audio
- PSIA support



HD3MWIHX shown with mounting ring for surface mount



HD3MWIHX shown without mounting ring for flush mount

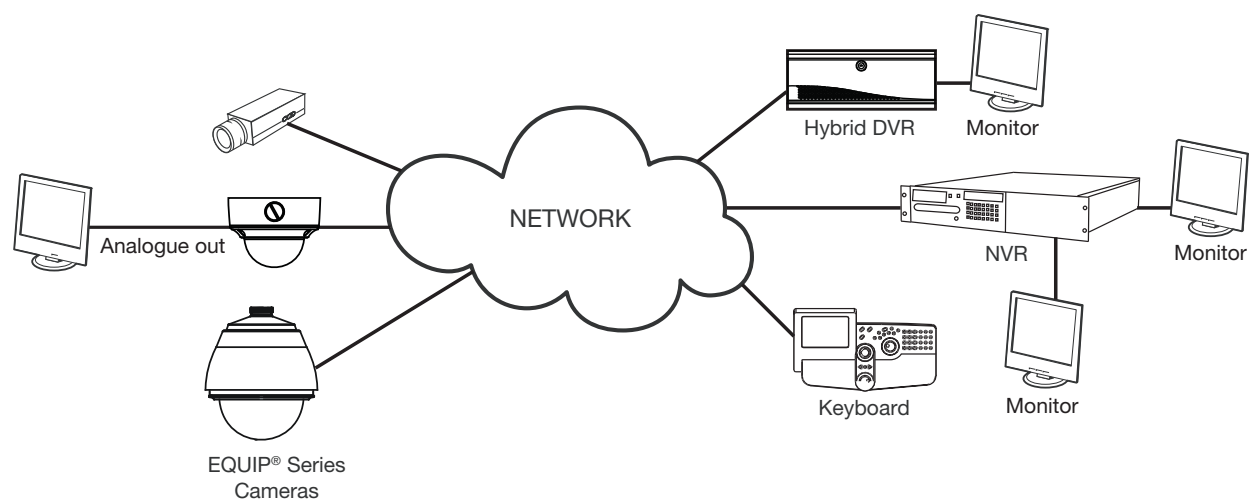
HD3MWHX

SPECIFICATIONS

Like all cameras in the EQUIP IP Series, the HD3MWHX network camera uses Honeywell technology for camera video motion detection, tamper detection, remote firmware updating and for secure storage of all camera settings. Video motion detection recognises object motion within the field of view, then a simple on-screen notification alerts the user. Camera tamper detection notifies the user when a camera's field of view is altered, blinded or blurred. This ensures the video's integrity and alerts the customer to either a live event or a system problem that is causing disruption to the video stream. Honeywell's technology also allows users to remotely upload firmware to the camera. The built-in web server provides password-protected access to the camera's video and network setup.



SYSTEM DIAGRAM



HD3MWIHX

SPECIFICATIONS

Operational			
Video Standard	PAL		
Scanning System	Progressive scan		
Image Sensor	1/3" CMOS		
Number of Pixels (H x V)	1280 x 720		
Minimum Illumination	0.14 lux colour/0.1 lux BW @ 50 IRE, F1.6		
Automatic Lens Control	DC Iris Level 1-25		
Video Output (Aux)	1.0 V p-p @ 75 ohms		
Dynamic Range:	115 dB		
S/N Ratio	50 dB or more (AGC off)		
Auto Gain Control	Off/On, selectable (20-40 dB)		
Automatic Electronic Shutter	1/30-1/87,000 sec (NTSC and PAL)		
Lens Type	True Day/Night (TDN), 3.3 mm-12 mm Vari-focal Auto Iris, F1.6		
Angle of View		Wide	Tele
	Diagonal	125.7°	29.9°
	Horizontal	89.8°	23.9°
	Vertical	63.6°	17.9°
White Balance	Auto, Manual, WBC Push		
Audio/Two-Way	Line in/out		
Electrical			
Input Voltage	24 V AC, PoE IEEE 802.3af		
Input Range	17-28 V AC		
Surge Suppression	1.5 kW transient		
Power Consumption	5.0 W (max) 24 V AC PoE: PD Type 1 Class 2		
Mechanical			
Dimensions (W x H x D)	See Diagram		
Weight	0.47 kg camera only		
Construction	Housing: Polycarbonate & Diecast aluminium Finish: Matt texture, off white		
Connector	Video Output: 2-pin Molex connector Power Input: Removable screw block Network: RJ45 connector Alarm I/O: Removable screw block Audio In: Removable screw block Audio Out: Removable screw block		

Environmental			
Temperature	Operating: -10°C to 50°C Storage: -20°C to 60°C		
Relative Humidity	0% to 85%, non-condensing		
IP Specifications			
Video Compression	Dual stream H.264 and MJPEG		
Primary Stream Resolution	Bitrate H.264 (Typical)*	Frame Rate	Storage/Day (GB)
	1280 x 720	2.7 Mbps	30/25
	800 x 450	1.8 Mbps	30/25
	640 x 360	0.9 Mbps	30/25
320 x 180	0.315 Mbps	30/25	3.32
Frame Rate NTSC/PAL	Up to 30/25 fps video in all resolutions		
Video Streaming	Dual streaming: H.264 and MJPEG Controllable frame rate and bandwidth Constant or variable bit rate		
Security	Multiple user access levels with password protection		
Video Access from Web Browser	Full control of all camera settings available to administrator		
Minimum Web Browsing Requirements	Pentium IV CPU 3.1 GHz or faster 2 GB RAM Windows XP®, Windows 7 (32/64), Windows 2K8 (64) Internet Explorer 6, 7, 8 or 9		
Installation and Management Maintenance	Honeywell IP Utility software identifies the IP address, discovers cameras, supports firmware upgrades		
Supported Protocols	HTTP, TCP, RTSP, RTP, UDP, ARP, DNS, RTCP, FTP, ICMP, DHCP, Bonjour, IGMP, Telnet		
Standards	PSIA support		
Regulatory			
Emissions	FCC, CE (EN55022)		
Immunity	CE (EN50130-4)		
Safety	EU: EN60950-1:2006		

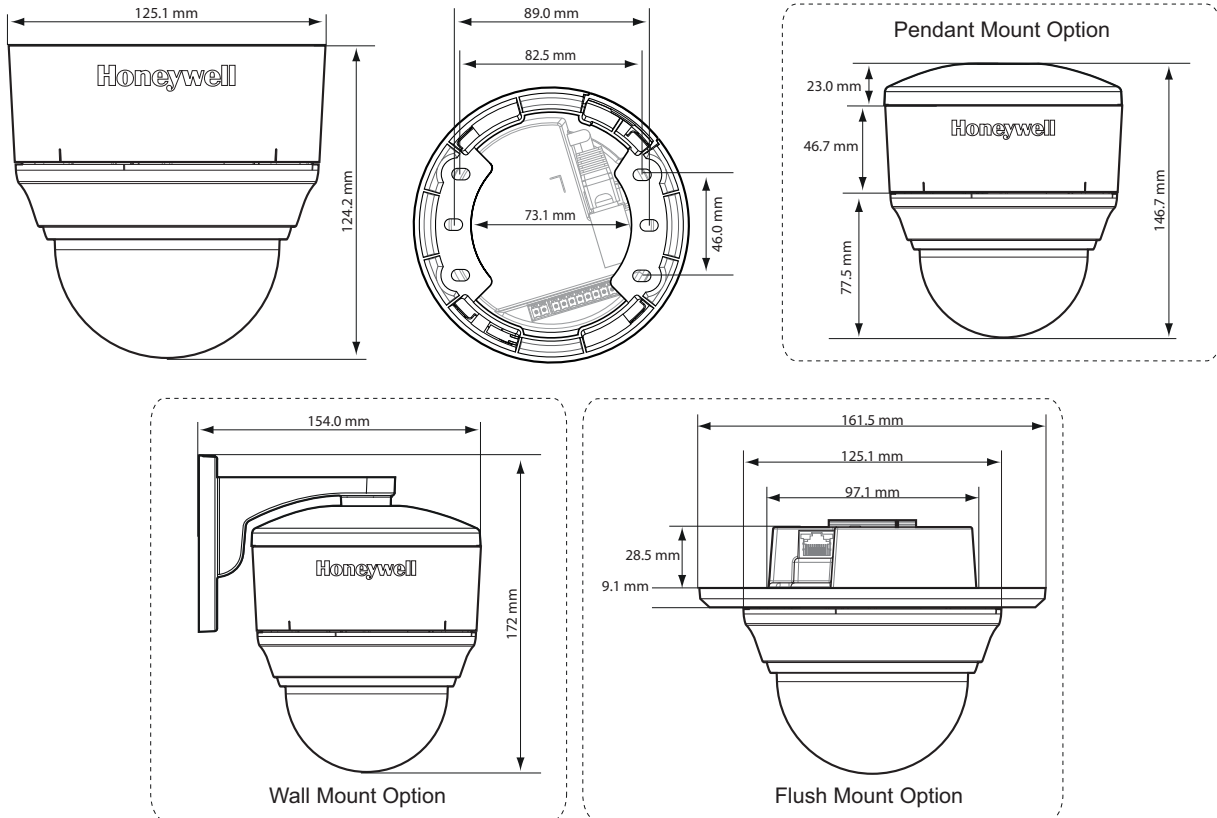
*Actual bitrate is scene and motion dependent with H.264 stream.

HD3MWIHX

SPECIFICATIONS

System Integration
Open IP Integration
PSIA support and open API for real interoperability between Honeywell and other manufacturer's IP-enabled security devices. Refer to the Honeywell Open Technology Alliance [http://www.security.honeywell.com/hota/] to learn more about our open and integrated solutions.

Accessories	
Housing and Mounts	
HD3-MK1	Wall/Pendant Mount Kit, Off White



Ordering	
HD3MWIHX	Network True Day/Night, 1/3" Progressive Scan, CMOS, Wide Dynamic 720p Resolution Camera, 3.3-12 mm VFAI, 24 V AC or PoE IEEE 802.3af, H.264, PAL

NOTE: Honeywell reserves the right, without notification, to make changes in product design or specifications.

For additional information,
please visit www.honeywell.com/security/uk

Honeywell Security Group

Aston Fields Road
Whitehouse Industrial Estate
Runcorn
Cheshire
WA7 3DL
Tel: 08448 000 235
www.honeywell.com

HVS-HD3MWIH-01-UK(0212)DS-E
February 2012
© 2012 Honeywell International Inc.