

# RESILIENT SEATED GATE VALVE PN16

Honeywell Resilient Seated Gate Valves PN16 (DN50 to DN400) are designed to provide superior flow control, exceptional durability, and ease of operation, making them an ideal choice for a wide range of applications. These valves are suitable for a variety of applications, including water treatment, chemical processing, HVAC, and other industrial sectors.



Honeywell Resilient Seated Gate Valve PN16

## FEATURES AND BENEFITS

### ROBUST BUILD

The body of the valve is made up of cast iron with powder coating and epoxy coated ductile iron disc and body. Ensures exceptional strength and longevity, making it ideal for demanding industrial environments.

Provides secure and reliable valve operation with sturdy construction to prevent accidental movement.

### RESILIENT SEATING

The Honeywell Resilient Seated Gate Valve PN16 features a durable Ductile Iron Disc with EPDM coating, offering superior resilience and long-lasting performance in demanding applications.

### O-RING PACKING

Utilizes an O-ring packing in the upper seal to prevent leakage and maintain integrity

## PART NUMBERS

SKU DESCRIPTION - DUCTILE IRON		
PARAMETER	SPECIFICATION	
DN50	V5GANGP16G050FI.	Manual Gate Valve, DI Body, DI Bonnet, DN50
DN65	V5GANGP16G065FI.	Manual Gate Valve, DI Body, DI Bonnet, DN65
DN80	V5GANGP16G080FI.	Manual Gate Valve, DI Body, DI Bonnet, DN80
DN100	V5GANGP16G100FI.	Manual Gate Valve, DI Body, DI Bonnet, DN100
DN125	V5GANGP16G125FI.	Manual Gate Valve, DI Body, DI Bonnet, DN125
DN150	V5GANGP16G150FI.	Manual Gate Valve, DI Body, DI Bonnet, DN150
DN200	V5GANGP16G200FI.	Manual Gate Valve, DI Body, DI Bonnet, DN200
DN250	V5GANGP16G250FI.	Manual Gate Valve, DI Body, DI Bonnet, DN250
DN300	V5GANGP16G300FI.	Manual Gate Valve, DI Body, DI Bonnet, DN300
DN350	V5GANGP16G350FI.	Manual Gate Valve, DI Body, DI Bonnet, DN350
DN400	V5GANGP16G400FI.	Manual Gate Valve, DI Body, DI Bonnet, DN400

## PART NUMBERS

SKU DESCRIPTION - CAST IRON		
PARAMETER	SPECIFICATION	
DN50	SLV-IMP-PN16-050.	Manual Gate Valve, CI Body, CI Bonnet, DN50
DN65	SLV-IMP-PN16-065.	Manual Gate Valve, CI Body, CI Bonnet, DN65
DN80	SLV-IMP-PN16-080.	Manual Gate Valve, CI Body, CI Bonnet, DN80
DN100	SLV-IMP-PN16-100.	Manual Gate Valve, CI Body, CI Bonnet, DN100
DN125	SLV-IMP-PN16-125.	Manual Gate Valve, CI Body, CI Bonnet, DN125
DN150	SLV-IMP-PN16-150.	Manual Gate Valve, CI Body, CI Bonnet, DN150
DN200	SLV-IMP-PN16-200.	Manual Gate Valve, CI Body, CI Bonnet, DN200
DN250	SLV-IMP-PN16-250.	Manual Gate Valve, CI Body, CI Bonnet, DN250
DN300	SLV-IMP-PN16-300.	Manual Gate Valve, CI Body, CI Bonnet, DN300
DN350	SLV-IMP-PN16-350.	Manual Gate Valve, CI Body, CI Bonnet, DN350

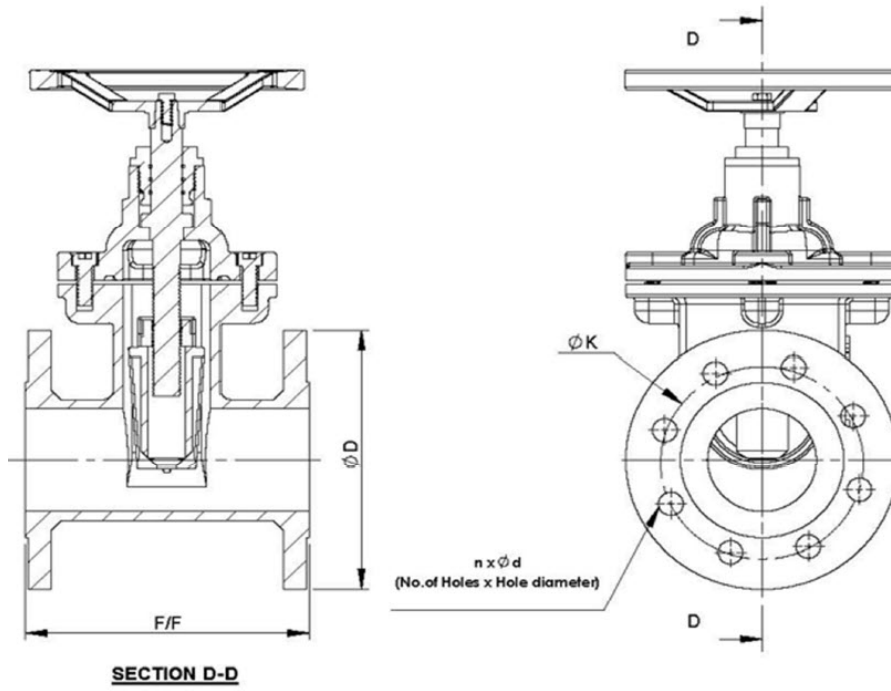
## PRODUCT SPECIFICATIONS

TECHNICAL SPECIFICATIONS	
PARAMETER	SPECIFICATION
Valve sizes	DN50 to DN400
Nominal pressure	16 bar at -10°C to 120°C
Test pressure (shell - water)	24 bar
Test pressure (seat - water)	17.6 bar
Compliance	EN1171-2002 and MSS SP-70
Thrust collar	High strength
Flange standard	EN1092-2
Sealing	Resilient sealing
Coating	Internally and externally fusion bonded epoxy powder coated (FBE)

## MATERIAL SPECIFICATIONS

MATERIAL DETAILS			
COMPONENT	MATERIAL TYPE	EN SPECIFICATION	ASTM SPECIFICATION
Body	Cast iron	EN 1563 GJS 400-15	ASTM A536 65-45-12
	Ductile cast iron	EN 1561 G JL 200	ASTM A536 65-45-12
Bonnet	Ductile iron	EN 1563 GJS 400-15	ASTM A536 65-45-12
Wedge	DI with EPDM coated	EN 1563 GJS 400-15	ASTM A536 65-45-12
Thrust collar	Brass/stainless steel	2874 CZ 124 / BS970 410S21	B16 C36000/ AISI 410
Stem nut	Bronze	2874 CZ 124	B584 C84400
Stem	Stainless steel	BS970 410S21	AISI 420/AISI 410
O-rings	Rubber	Commercial	Commercial
Gasket	Rubber	Commercial	Commercial
Handwheel	Ductile iron	EN 1563 GJS 400-15	ASTM A536 65-45-12

# DIMENSIONS



Honeywell Resilient Seated Gate Valve PN16

DIMENSION (MM)					
SIZE	F/F±2	ØD±2	K(PCD)±1.5	ØD	N (NO. OF HOLES)
DN50	178	165	125	19	4
DN65	190	185	145	19	4
DN80	203	200	160	19	8
DN100	229	220	180	19	8
DN125	254	250	210	19	8
DN150	267	285	240	23	8
DN200	292	340	295	23	12
DN250	330	405	355	28	12
DN300	356	460	410	28	12

By using this Honeywell literature, you agree that Honeywell will have no liability for any damages arising out of your use or modification to, the literature. You will defend and indemnify Honeywell, its affiliates and subsidiaries, from and against any liability, cost, or damages, including attorneys' fees, arising out of, or resulting from, any modification to the literature by you.

## Honeywell | Building Automation

715 Peachtree Street, N.E.,  
Atlanta, Georgia, 30308, United States.  
[www.buildings.honeywell.com](http://www.buildings.honeywell.com)

@U.S. Registered Trademark  
© 2024 Honeywell International Inc.  
31-00750-01 | Rev 08-24