

Loudspeaker

6.5" Ceiling Loudspeaker

Honeywell's voice alarm ceiling loudspeaker is designed for flush in suspended ceiling and ideal for even sound distribution.



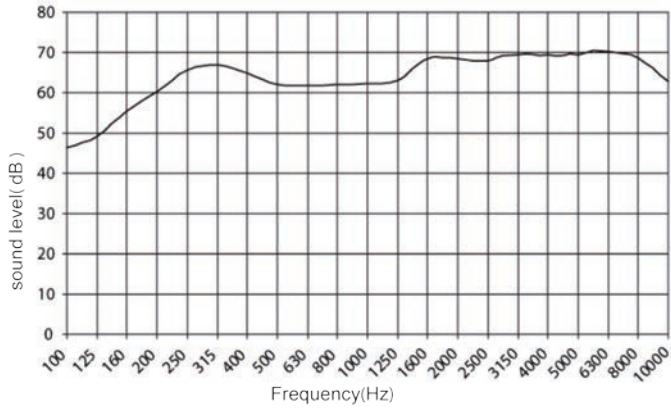
Technical Specifications

SPECIFICATION	
ELECTRICAL	
Max power	9 W
Rated power	6 W
Power taps @ 70V	3 W / 1.5 W / 0.75 W / 0.375 W
Power taps @ 100V	6 W / 3 W / 1.5 W / 0.75 W
SPL at 1W/1M (100HZ - 10kHz)	91dB
SPL 6W/1M (100HZ - 10kHz)	99dB
Frequency range (-10dB)	170 Hz - 20k Hz
Dispersion angle (1KHz / -6dB)	170°
Rated input voltage	100 V / 70 V
Rated impedance	1.7k Ω / 3.3k Ω / 6.7k Ω / 13k Ω
Connection	Ceramic Terminal
MECHANICAL	
Dimensions	Φ 222 mm × 129 mm
Hole cut-out size	Φ 195 mm
Diameter of speaker	6.5"
Weight	1.57 kg
Front grill color	White (RAL9003)
Dome color	Red (RAL3000)
Thermal Fuse	150°C
DC Blocking capacitor	Yes (2.2uF)

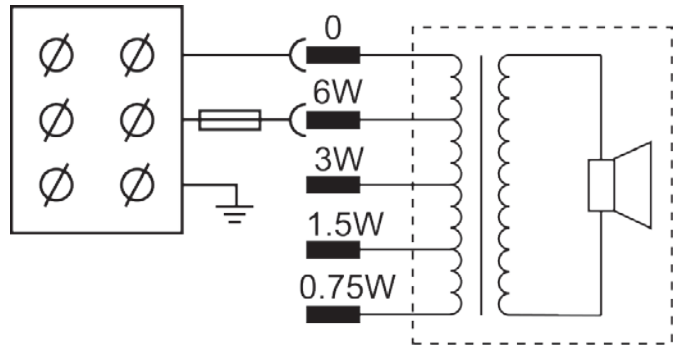
Loudspeaker

6.5" Ceiling Loudspeaker

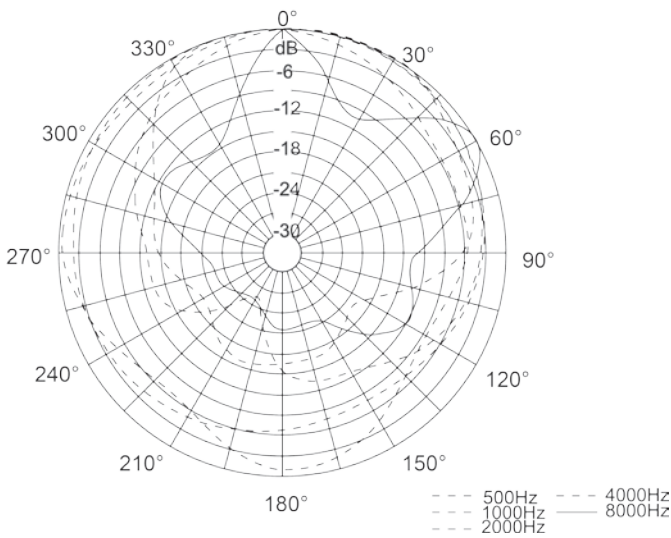
Frequency Response



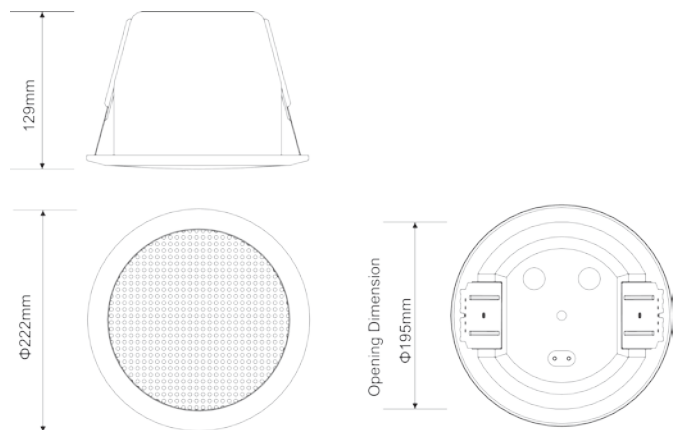
Circuit Diagram



Polar Diagram



Three-View Diagram



DESCRIPTION

6.5" Ceiling Loudspeaker

ORDER CODES

LSC-606/DC

Honeywell

Tel: +44 (0) 116 246 2000
 Fax: +44 (0) 116 246 2300
 Email: ukorders@honeywell.com
 140 Waterside Road
 Hamilton Industrial Park
 Leicester
 LE5 1TN

August 2013
 © 2013 Honeywell International Inc.

Honeywell