



AM-8000
BB-8000



LCD-8000-L



LCD-8000
LCD-8000-A



LIB-8000



PK-8000



AM-8000

Fire Detection Control Panel

32 loop addressed control panel



AM-8000 is a RISC high speed microprocessor fire detection control panel, is compliant to the European EN 54-2 e EN54-4.

The control panel **AM-8000.2** can drive 2 analog loops and it's expandable to 4 using an additional **LIB-8000** card installed inside the panel.

Using the high speed CAN-bus line it's possible to expand the control panel **AM-8000** from 4 to 32 loops through the connection with max 7 **BB-8000** (expandable from 2 to 4 loops).

Each loop, using the new **Advanced protocol**, can manage and supervise **159** detectors and **159** modules up to max **5088** detectors and **5088** modules.

On the CAN-bus, that links **AM-8000** with **BB-8000**, it's possible to connect up to 7 **LCD-8000-L** displays in order to manage and supervise all the fire detection system. The display can be installed on the field or on the **BB-8000**.

HARDWARE FEATURES

2.0 USB port to firmware upgrade, history log saving and file exchange with a PC or PK-8000 Configuration Tool software.

Sounder output supervised.

Alarm Relay output (30Vcc-2A) selectable as NO/ NC.

Fault Relay output (30Vcc-2A) selectable as NO/ NC.

Management of devices with old protocol (max 10 for each loop).

One RS-485 serial port for LCD8000 and LCD8000A.

SOFTWARE FEATURES

- 4 Passwords access levels EN 54-2 compliant
- Programmable text for Devices/Zones: 32 characters
- 500 zones and 400 Logic Groups per system
- Control-By-Event Equations (CBE) to program activations using logic operators (AND, OR, DEL, etc.)
- 2000 events History Log file per system
- The History Log File and the Event List are duplicated on every Panel to be fault tolerant for Network Fails.
- Real time clock
- Self programming utility on fire detection loops with Type-ID self recognition of connected devices
- Self recognition for double address settings
- Algorithm to activate alarms and faults
- Possibility to separate control of strobes / sounders in Day /Night mode or different alarm conditions
- Automatic warning of Clean-up detectors
- Automatic warning of detectors low speed
- Programmable alarm threshold on detectors
- Programmable software function for all different field devices
- Walk-Test function for each area



AM-8000
BB-8000



LCD-8000-L



LCD-8000
LCD-8000-A



LIB-8000



PK-8000

AM-8000

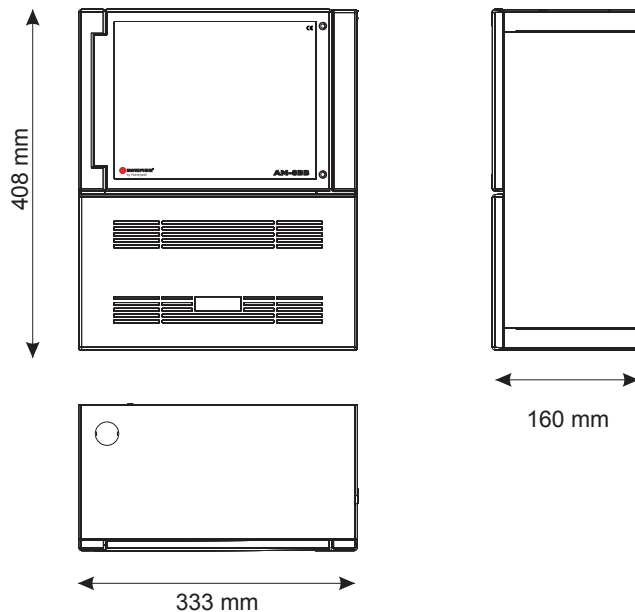
Fire Detection Control Panel

32 loop addressed control panel

TECHNICAL FEATURES

- Tension 230Vac single phase -15% +10% , 50/60 Hz
- Current: 1,5A
- Power Supply: 28,5Vdc/5,9A 500mVpp (panel cards, User output, Loop devices)
- User Output: for external loads 27 Vdc/2A
- Battery Charger 27,6Vdc/1A (Internal sensor for temperature compensation have to be mounted on battery pack)
- Battery: 2x12V/18Ah max
- Battery fault indications for: Battery exhausted, Battery unbalanced and Battery disconnected
- Working Temperature: - 5° C to +40° C
- Stock temperature: - 10° C to + 50° C
- Relative Humidity no condensation: 10 - 95 %
- IP30

DIMENSION



CERTIFICATE

CPD: 1293 - CPD - 0316



AM-8000
BB-8000



LCD-8000-L



LCD-8000
LCD-8000-A

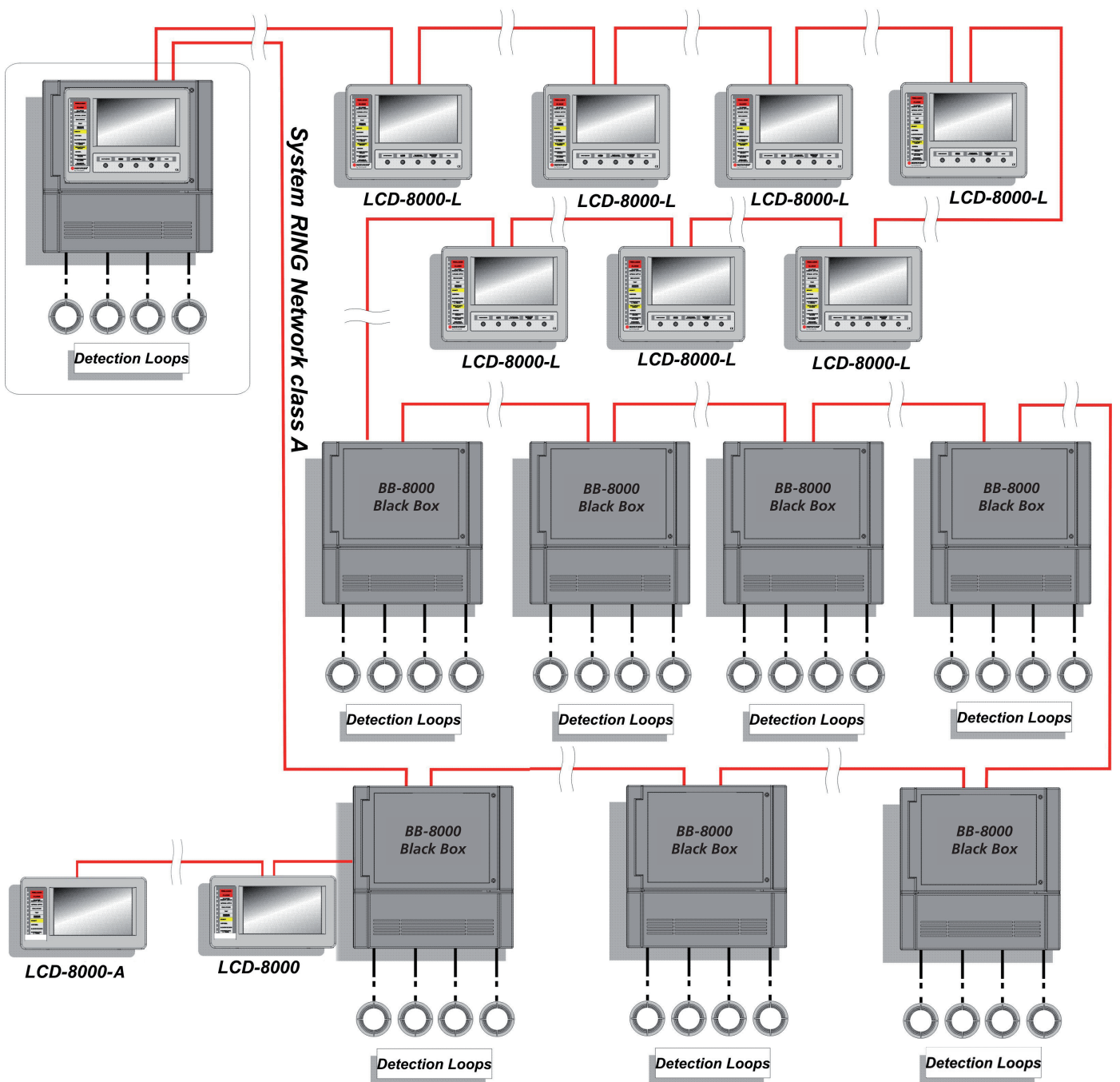


LIB-8000



PK-8000

- 1 Fire Alarm Control Panel AM-8000
- 8 Expansion Board LIB-8000
- 7 BB-8000
- 7 Repeaters LCD-8000-L
- 1 Repeater LCD-8000
- 1 Repeater LCD-8000-A





AM-8000
BB-8000



LCD-8000-L



LCD-8000
LCD-8000-A



LIB-8000

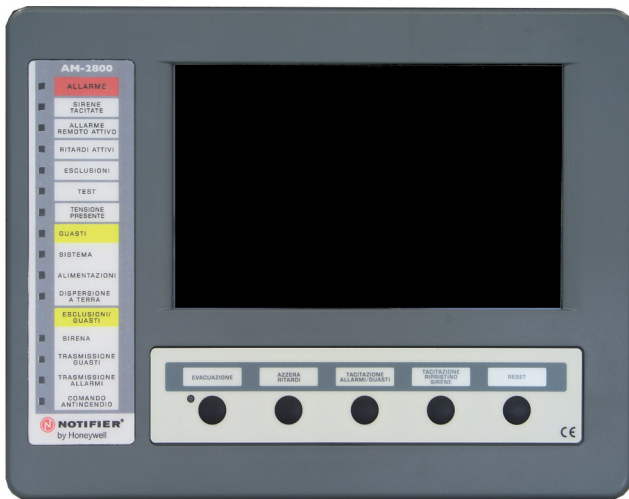


PK-8000

LCD-8000-L

Touch screen terminal

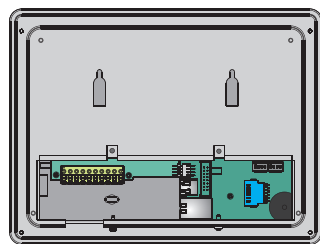
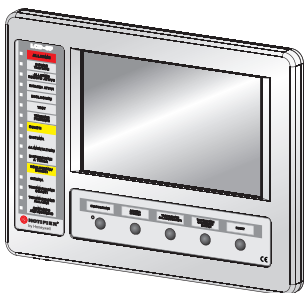
To manage and supervise the fire system



This terminal has a CAN-bus output to manage and supervise all the fire detection system.

LCD-8000-L can be installed on the **BB-8000** or on the field through a direct connection with the CAN-bus loop.

The terminal has two USB ports 1.1/2.0 (one internal and one external) to firmware upgrade, to download history files of the control panel. There is also a 10/100Mbit Ethernet output.

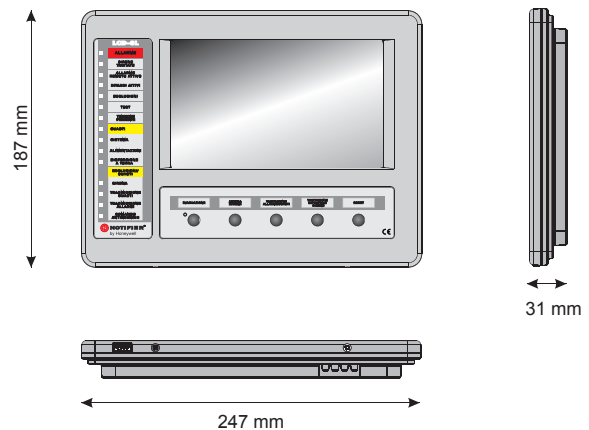


GENERAL FEATURES

- Touch screen display 7" TFT
- 800x480 pixel
- 65.000 colours
- Controlled backlit LED
- Keys for specific functions
- 15 LED to report events

TECHNICAL FEATURES

- Power supply: 24Vdc
- Stand-by current: 125mA @24Vdc
- Alarm current: 230mA @24Vdc
- Working temperature: -5°C/+40°C
- Stock temperature: -10°C/+50°C
- Relative Humidity no condensation: 10-95%
- Possible wall installation or on the BB-8000
- Dimensions: 187Hx247Lx31P
- IP20



CONNECTIONS

- CAN-bus communication line
- USB port 1.1/2.0
- 10/100Mbit Ethernet network



AM8000
BB-8000



LCD-8000-L



LCD-8000
LCD-8000-A



LIB-8000



PK-8000

LCD-8000 / LCD-8000-A

Repeaters

Remote repeater terminals for AM-8000 control panels

LCD-8000

It reports all the signalling of the control panel **AM-8000** and it also has these functions:

- Events Acknowledgment and System Reset (ACK)
- Display history events
- Download on USB key the history events of the control panel **AM-8000**.

It has 6 LED for alarm and fault report.

2 password levels (user) EN-54-2 compliant.

It displays the utility and exclusion menu.

LCD-8000-A

It partially displays the events of the control panel. Events acknowledgment (ACK) doesn't reset the alarm of the control panel.

It's possible to set up to 32 objects among areas and single points through control panel's **PK-8000** software.

Through a secondary RS-485 serial line it's possible to replicate the display on up to 4 further terminals.

GENERAL FEATURES

Display TFT 7" (800x480 pixel) with Touchpad and backlit LED

Active area 152x91cm

USB output: to saving history log

RS-485 serial port



TECHNICAL FEATURES

Power supply: 30Vdc

Current with 20% of display: 125mA

Current with 100% of display: 236mA

Working temperature: -5°C/+40°C

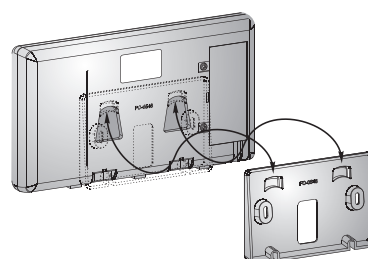
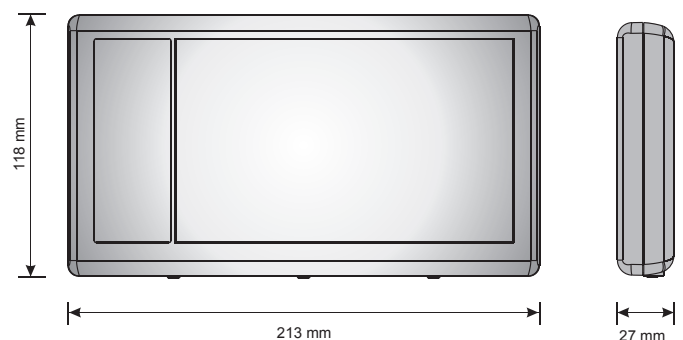
Stock temperature: -10°C/+40°C

Relative Humidity no condensation: 10-95%

Weight: 410g

IP40

DIMENSION



wall mounting, depth: 39mm



AM-8000
BB-8000



LCD-8000-L



LCD-8000
LCD-8000-A



LIB-8000



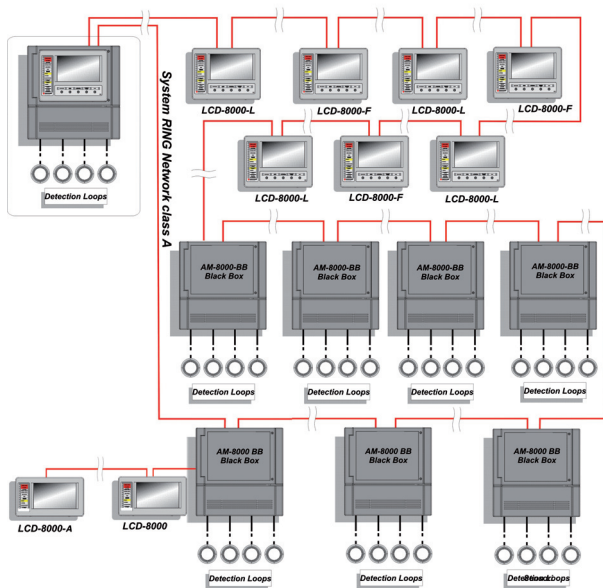
PK-8000



LIB-8000

Expansion board

2 loops expansion



FEATURES

The expansion board **LIB-8000** provides 4 analog lines, programmable as style 4 or 6 (Open or close loop).

The capacity for each loop is **159** detectors and **159** modules for an amount of 636 devices per control panel and an amount of **5088** devices per each system with 8 control panels and 8 **LIB-8000**.

Those applications must be accomplished in accordance with EN54 regulation.

This expansion board can be installed and powered both by the **AM-8000** control panel both by **BB-8000**.

PK-8000

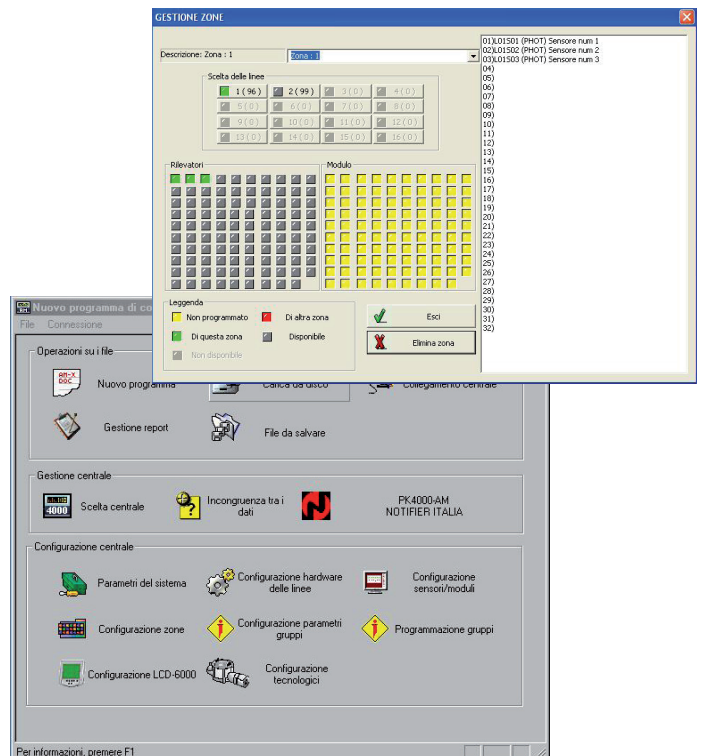
Software for AM-8000

Programming the control panel AM-8000

The **PK-8000** allows to transfer and display on PC **AM-8000** configurations through a USB key.

It is also possible to prepare with PC all panel configurations and transfer them into the panels through a USB key.

Create and manage a record of programming files editable and transferable on **AM-8000**.





AM-8000
BB-8000



LCD-8000-L



LCD-8000
LCD-8000-A



LIB-8000



PK-8000

CODE

CEI 800	AM-8000.2	2 LOOPS Fire Alarm Control Panel with display.
CEI 801	BB-8000.2	2 LOOP Black Box Without display.
CEI 800L	LCD-8000-L	Touch Screen Terminal.
CEI 803	LIB-8000	Expansion Board.

CABLE

CVCAVO-CAN2X0,34 C.CANBUS 2X0,34 CB627-06272341

CVCAVO-CAN2X0,75 C.CANBUS 2X0,75 CB627-06272751

Compatible Devices

DETECTORS

NFXI Series

NFXI detectors are designed to offer an improved detection across multiple fire types. All detectors have isolator, LED to indicate the device status and rotary switch to address the control panel. There are different types:

- Smoke detector (optical)
- Optical and rate of rise
- Rate of rise detector
- Maximum temperature heat detector (58°C)
- Maximum temperature heat detector (78°C)
- Multicriteria detector: smoke optical, heat and IR flame

NFXI BEAM SMOKE DETECTOR

Beam smoke detector uses an optical transmitter/receiver unit (TRX) and a reflector to place on the opposite side. Sensitivity is adjustable on 6 levels with 2 adjustable levels related to environment. Automatic gain dusty compensation for loss of signal. Easy alignment due to the adjustment knobs, the sight alignment and the digital readout of signal strength. Alarm and fault relays. Thanks to special integrated interface can communicate with the control panel and the addressing is achieved through rotary switches (from 01 to 159).

INTELLIGENT AIR DUCT SMOKE DETECTOR

The addressed duct detection system DNRE senses airflow in order to detect the possible presence of smoke particles (caused by a fire). Directly connected to the loop of the control panel.

CALL POINT

M700 Series

Addressable manual break glass call point. Equipped with a red LED to signal local alarm. Addressing through rotary switches and provided with double insulation protection for the communication line. CPD certified for EN 54-11. Different types:

- Indoor call point
- Outdoor call point

SOUNDER

NFXI Series

NFXI sounders have isolator and rotary switch. Certified according to CPD-EN54.3. Different types:

- Electronic sounder
- Sounder and strobe
- Strobe

MODULES

Input Series 700 and MA
Output Series 700 and MA

BASES

500 Series

**SEDE**

20097 San Donato Milanese (MI)
Via Grandi, 22
Tel.: 02 - 51897.1
Fax: 02 - 51897.30
E-mail: notifier@notifier.it
<http://www.notifier.it>

Ufficio Regionale TORINO

10143 Torino
Corso Potenza, 6
Tel.: 011 - 0650611
Fax: 011 - 4531183
E-mail: notifier.torino@notifier.it

Ufficio Regionale PADOVA

35010 Limena (PD)
Via IV Novembre, 6/C int. 9
Tel.: 049 - 7663511
Fax : 049 - 7663550
E-mail: notifier.padova@notifier.it

Ufficio Regionale BOLOGNA

40050 - Funo di Argelato (Bologna)
Asta Servizi, Blocco 3B, Gall. B n.85 - Centergross
Tel.: +39 051 0432211
Fax: +39 051 6647638
Email: notifier.bologna@notifier.it

Ufficio Regionale FIRENZE

50136 Firenze (FI)
Via B. Telesio, 15
Tel.: 055 - 696706
Fax: 055 - 6529294
E-mail: notifier.toscana@notifier.it

Ufficio Regionale ROMA

00118 Roma
Via Del Casale Santarelli, 51
Tel.: 06 - 7988021
Fax: 06 - 79880250
E-mail: notifier.roma@notifier.it

Ufficio Regionale NAPOLI

80143 Napoli
Centro Direzionale, Isola E2, Scala B
Piano 5° Int 19
Tel.: 081 - 19493111
Fax: 081 - 7879159
E-mail: notifier.napoli@notifier.it

Ufficio Regionale BARI

70125 Bari
Via Della Costituente, 29
Tel.: 080 - 6180700
Fax: 080 - 5648114
E-mail: notifier.bari@notifier.it

Ufficio Regionale CATANIA

95126 Catania
Viale Alcide De Gasperi, 187
Tel.: 095 - 2279511
Fax: 095 - 7120753
E-mail: notifier.catania@notifier.it