

CMX-10RM, MMX-10M, MCX-55

10 Way Input / Output Modules

Section: Intelligent/Addressable Devices

FEATURES

- **Loop Powered - No Additional Power Supply Required.**
- **Plug In Terminals.**
- **2 A, 30Vdc Rated Form C Relay Outputs (Output Units Only).**
- **Individual Address Disablement.**
- **Remote LED Outputs.**
- **Microprocessor Controlled.**

GENERAL

This range of 10 Way Input & Output Modules consists of three products: CMX-10RM - 10 Way Output Module; MMX-10M - 10 Way Input Module; and the MCX-55 - 5 Way Input and 5 Way Output module and are designed to operate on a Notifier analogue addressable loop.

Each input and output are individually addressed and controlled by the control equipment and provide a cost effective, compact solution for installations requiring multiple switching and / or monitoring at a single location.

Inputs may be configured to monitor for open circuit, short circuit and active (fire) conditions. Each output consists of a form C (change over) relay contact providing both normally open and normally closed contacts rated 2A at 30Vdc.

Each module card utilises up to 10 consecutive addresses with the base address being set by DIP switch although any of the 10 addresses may be individually disabled allowing the use of this address by other modules on that loop.

INSTALLATION

The modules are supplied as a P.C.B. allowing installation in to other equipment housings such as control cabinets. 5 x 3.5mm mounting holes provide suitable secure mounting for the P.C.B's as indicated overleaf. Each module occupies a single Notifier Loop Module address with the first address being set by DIP switch SW2 and subsequent address being base address + n up to a maximum of 10. Individual modules may be disabled via a second DIP switch SW1 such that any module address in the range can be used for other module addresses on the loop.

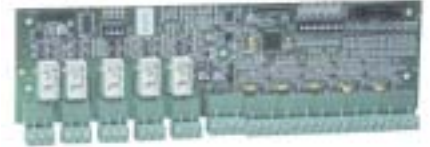
11 (10 input / output plus 1 loop in & out) two part plug in terminal blocks are provided for ease of field installation. All modules have on board LED's that may be disabled with the output routed to a connector allowing LED's to be mounted off the P.C.B. on the equipment housing for example.



CMX-10RM



MMX-10M



MCX-55

This document is not intended to be used for installation purposes. Every care has been taken in the preparation of this document but no liability can be accepted for the use of the information therein. Design features may be changed or amended without prior notice. For more information, contact **NOTIFIER**. Charles Avenue, Burgess Hill, West Sussex, RH15 9UF. United Kingdom
Phone: +44 (0) 1444 230 300 Fax: +44 (0) 1444 230 888

ISO9001
Design, Manufacture and Supply
to Quality Management Systems
Certified to ISO9001:1994



SPECIFICATIONS

• Dimensions

- ✓ Height: 233mm
- ✓ Length: 70mm
- ✓ Depth: 13mm

• Current Consumption

- ✓ 1.7mA with communication and LED blink enabled
- ✓ LED Current, 5mA @ 24Vdc (LED on) per module

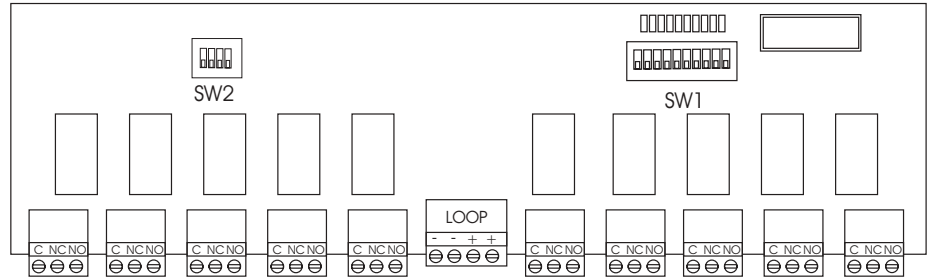
• Environmental Limits

- ✓ Operating Temperature -10 ° C to +55 ° C
- ✓ 10% to 93%, non-condensing relative humidity

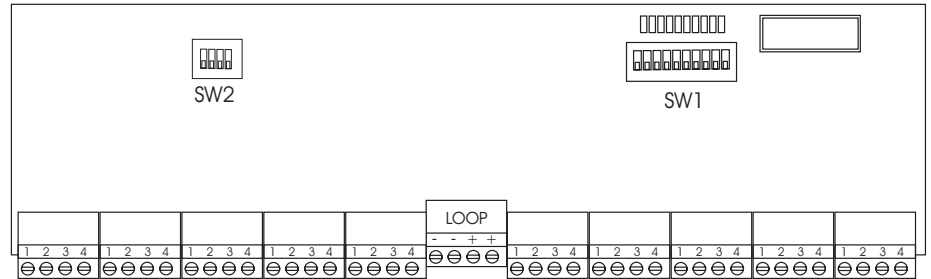
ORDERING INFORMATION

Part No.	Description
CMX-10RM	10 Way Relay Output Module
MMX-10M	10 Way Monitor Module
MCX-55	5 Way Input & 5 Way Relay Output Module

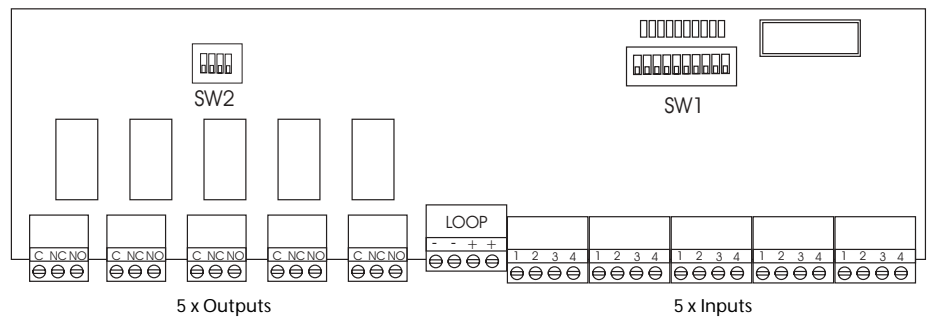
Connection Detail



CMX-10RM

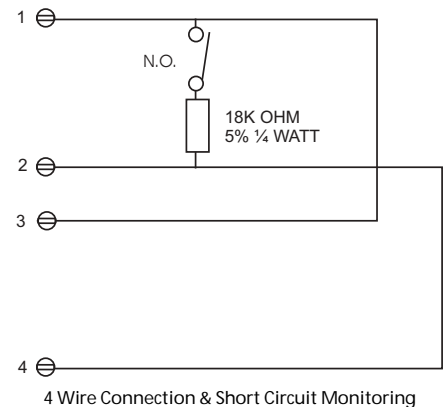
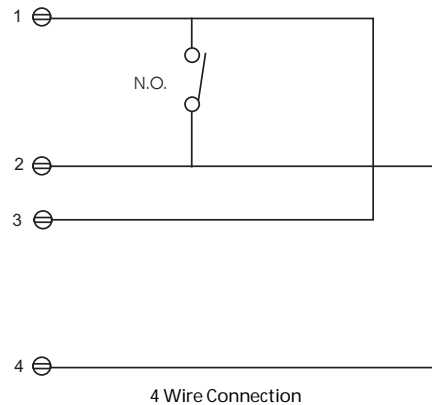
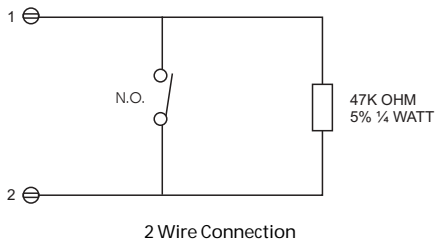


MMX-10M



MCX-55

Monitor Module Wiring



Mounting Detail

