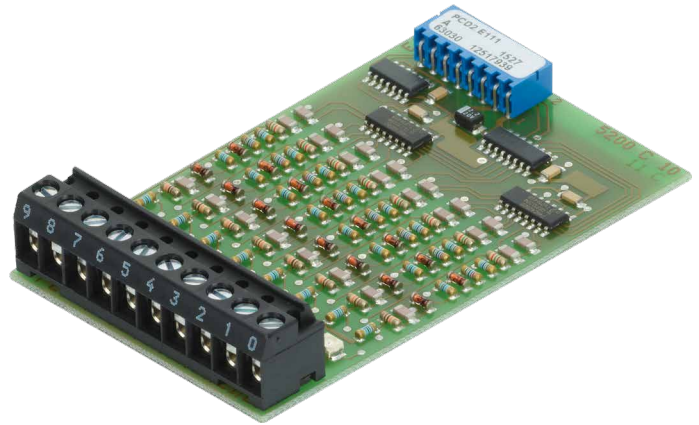


# PCD2.E111

8 digital inputs,  
electrically connected,  
source or sink operation

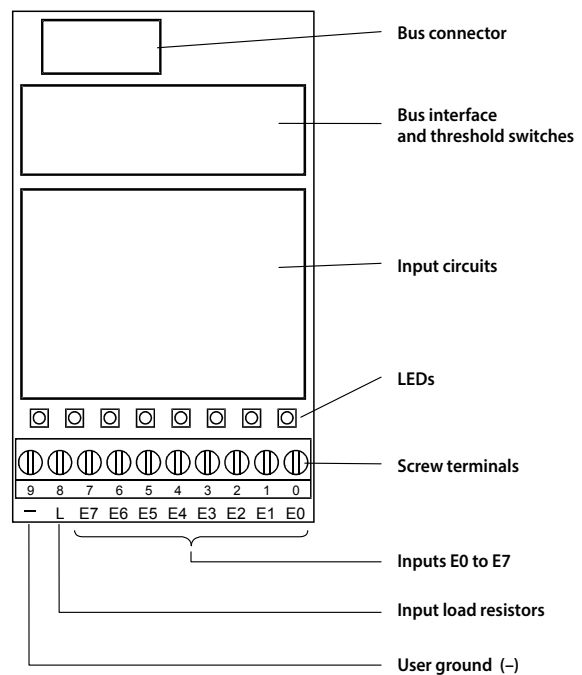


Low-cost input module for source or sink operation with 8 inputs, electrically connected. Suitable for most electronic and electromechanical switching elements at 24 VDC. The PCD2.E111 differs from the PCD2.E110 in its shorter input delay, typically 0.2 ms.

## Technical data

Number of inputs	8 electrically connected, source or sink operation
Input voltage	24 VDC (15...30 VDC) smoothed, max. 10 % residual ripple
Input current	6 mA at 24 VDC
Input delay	typically 0.2 ms
Resistance to interference acc. to IEC 801-4	2 kV under capacitive coupling (whole trunk group)
Internal current consumption (from +5 V bus)	1...24 mA; typically 12 mA
Internal current consumption (from V+ bus)	0 mA
External current consumption	max. 48 mA (all inputs=1) at 24 VDC
Terminals	Pluggable 10-pole screw terminal block (4 405 4847 0), for wires up to 1.5 mm <sup>2</sup>

## LEDs and connection terminals



**Watchdog:** This module can be used on all base addresses; there is no interaction with the watchdog on the CPUs. For details, please refer to the "Watchdog" section of the manual 26-856\_ENG, which describes the correct use of the watchdog in conjunction with PCD2 components.

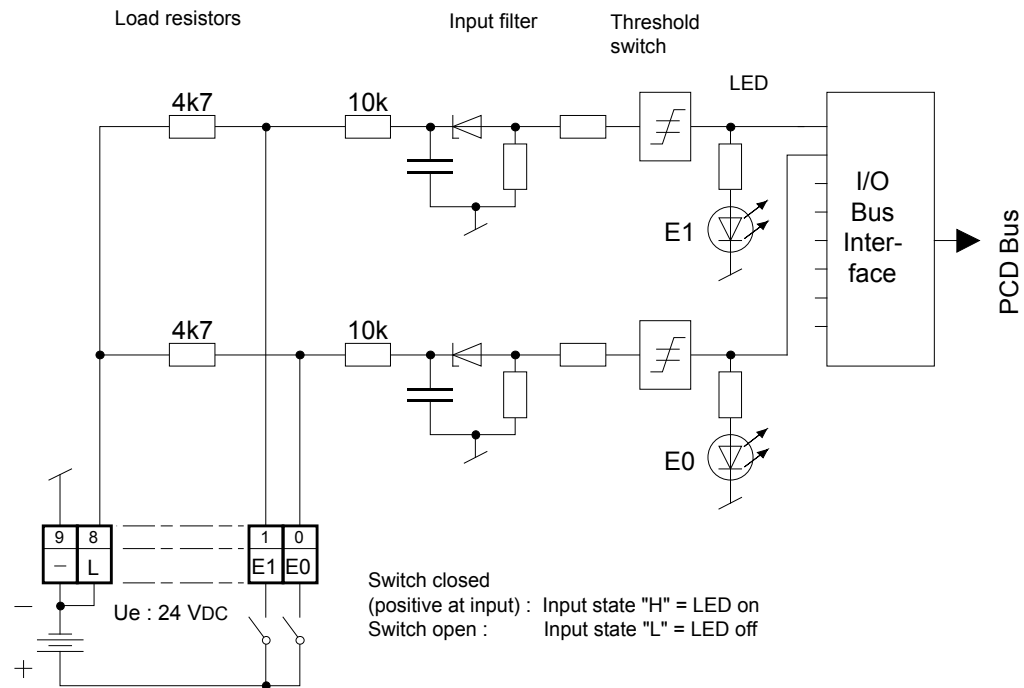


**I/O modules and I/O terminal blocks** may only be plugged in and removed when the Saia PCD® and the external +24 V are disconnected from the power supply.

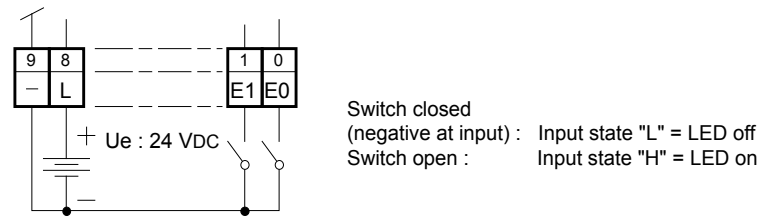


Information to connection cables can be found in the Manual on "System cables and connection system" 26-792\_ENG.

Source operation (positive logic):



Sink operation (negative logic):



Ordering information

Type	Short description	Description	Weight
PCD2.E111	8 digital inputs, electrically connected, source or sink operation	Digital input module, 8 inputs, 24 VDC, source and sink operation, 0.2 ms input delay	35 g

Accessories

Type	Short description	Description	Weight
PCD2.K261/K263	Sheathed, round cable with 10 strands of 0.5 mm <sup>2</sup> . length PCD2.K261 = 1,5 m length PCD2.K273 = 3 m	Plug-in system cable for digital modules with 4, 6 or 8 I/Os or relay interface PCD2.K55x. PCD side: 10-pole, plug-in screw terminal block Process side: strand ends free, numbered	140 / 260 g
PCD2.K271/K272	Sheathed, shielded cable with 10 strands of 0.25 mm <sup>2</sup> . length PCD2.K271 = 1,5 m length PCD2.K273 = 3 m	Plug-in system cable for analogue I/O modules and ..H modules. Sheathed, screened, round cable; PCD side: 10-pole, plug-in screw terminal block P Process side: strand ends free, numbered	100 / 290 g

Saia-Burgess Controls AG

Bahnhofstrasse 18 | 3280 Murten, Switzerland  
T +41 26 580 30 00 | F +41 26 580 34 99  
www.saia-pcd.com

support@saia-pcd.com | www.sbc-support.com