

# PCD3.A210

**Digital output module,  
4 relays, 250 VAC/2 A, 'break' contact, contact protection**



The module contains 4 relays with normally-closed contacts for direct or alternating current up to 2 A, 250 VAC. The contacts are protected by a varistor. The module is especially suited wherever perfectly isolated AC switching circuits with infrequent switching have to be controlled.

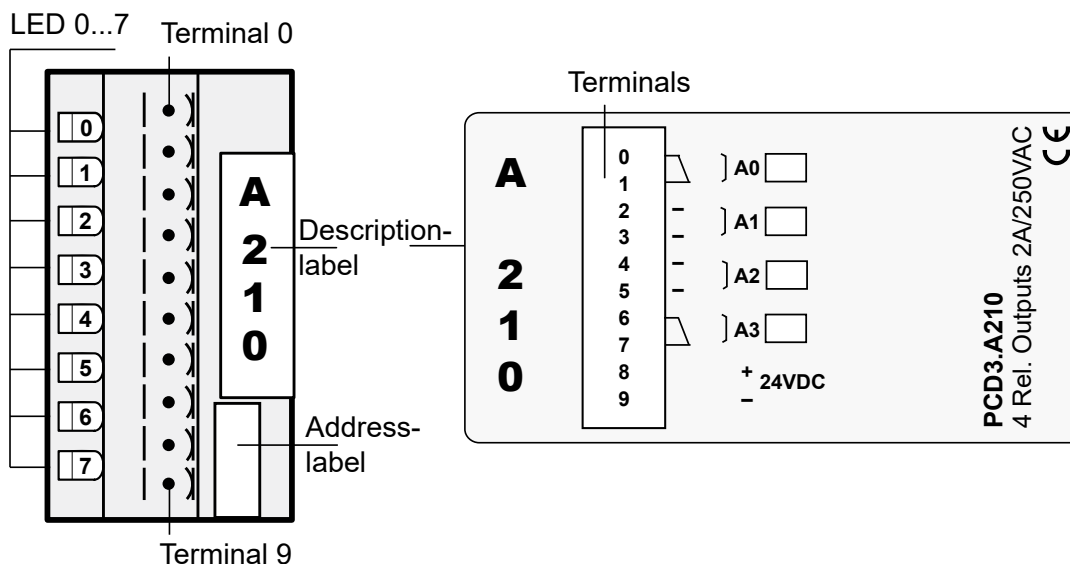
Technical data	
Number of outputs	4, electrically isolated break contacts
Type of relay (typical)	RE 030024, SCHRACK
Switching capacity (contact lifetime)	2 A, 250 VAC AC1: $0.7 \times 10^6$ operations 1 A, 250 VAC AC11: $1.0 \times 10^6$ operations <sup>3)</sup> 2 A, 50 VDC DC1: $0.3 \times 10^6$ operations <sup>3)</sup> 1 A, 24 VDC DC11: $0.1 \times 10^6$ operations <sup>1)</sup>
Relay coil supply <sup>2)</sup>	nominal 24 VDC smoothed or pulsed, 9 mA per relay coil
Voltage tolerance, dependent on ambient temperature	20 °C: 17.0 ... 35 VDC 30 °C: 19.5 ... 35 VDC 40 °C: 20.5 ... 32 VDC 50 °C: 21.5 ... 30 VDC
Output delay	typically 5 ms bei 24 VDC
Resistance to interference acc. to IEC 801-4	4 kV under direct coupling 2 kV under capacitive coupling (whole trunk group)
Internal current consumption (from +5 V bus)	1 ... 15 mA typically 10 mA
Internal current consumption (from V+ bus)	0 mA
External current consumption	max. 32 mA
Terminals	Type A: Plug-in 10-pole spring terminal block (4 405 4954 0), for wires up to 2.5 mm <sup>2</sup>



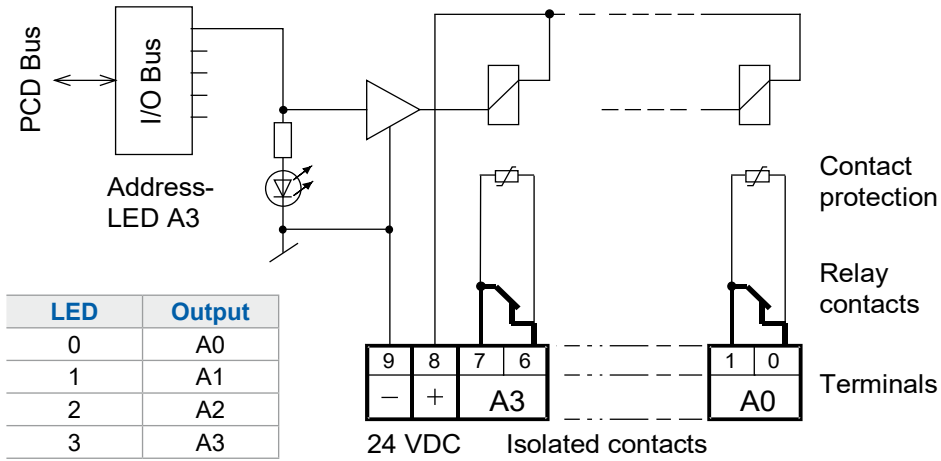
PCD3.A210

1) With external protective diode  
2) With reverse voltage protection  
3) For UL 61010 compliant operation the following switching capacity applies:  
2 A/35 VDC

## LEDs and connection terminals



**Output circuits and terminal designation**



Relay energized (contact closed): LED on  
 Relay reset (contact open): LED off  
 24 VDC must be connected to the +/- terminals.

With an open relay contact, the current leakage through the contact protection is **0.7 mA** (at 230 V / 50 Hz). This should be taken into account for smaller AC loads.

	<b>Watchdog:</b> This module can be used on all base addresses; there is no interaction with the watchdog on the CPUs..
	I/O modules and I/O terminal blocks may only be plugged in and removed when the Saia PCD® and the external +24 V are disconnected from the power supply.

**ATTENTION**

These devices must only be installed by a professional electrician, otherwise there is the risk of fire or the risk of an electric shock.

**WARNING**

Product is not intended to be used in safety critical applications, using it in safety critical applications is unsafe.

**WARNING - Safety**

The unit is not suitable for the explosion-proof areas and the areas of use excluded in EN61010 Part 1.

**WARNING - Safety**

Check compliance with nominal voltage before commissioning the device (see type label).  
Check that connection cables are free from damage and that, when wiring up the device, they are not connected to voltage.  
Do not use a damaged device!

**NOTE**

In order to avoid moisture in the device due to condensate build-up, acclimatise the device at room temperature for about half an hour before connecting.

**CLEANING**

The device can be cleaned in dead state with a dry cloth or cloth soaked in soap solution.  
Do not use caustic or solvent-containing substances for cleaning.

**MAINTENANCE**

These devices are maintenance-free. If damaged, no repairs should be undertaken by the user.

**GUARANTEE**

Opening the module invalidates the guarantee.

Observe this instructions (data sheet) and keep them in a safe place.  
Pass on the instructions (data sheet) to any future user.



WEEE Directive 2012/19/EC Waste Electrical and Electronic Equipment directive  
The product should not be disposed of with other household waste. Check for the nearest authorized collection centers or authorized recyclers. The correct disposal of end-of-life equipment will help prevent potential negative consequences for the environment and human health.



EAC Mark of Conformity for Machinery Exports to Russia, Kazakhstan or Belarus.



PCD3.A210



4 405 4954 0

### Order details

Type	Short description	Description	Weight
PCD3.A210	4 relays with break contacts, with contact protection	Digital output module, 4 relays, 250 VAC/2 A, 'break' contact, contact protection	120 g

### Order details accessories

Type	Short description	Description	Weight
4 405 4954 0	Plug-in, type A	Plug-in screw terminal block, 10-pin (type A) for wires up to 2.5 mm <sup>2</sup> , labelling 0...9	15 g