

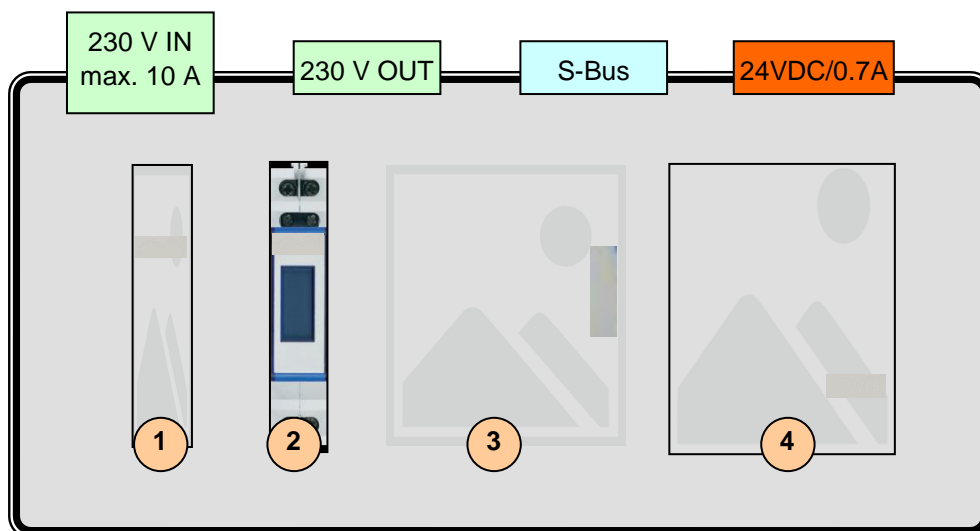
- E** Leaflet
Energy Demo-Box for Energy Manager
- D** Beilageblatt
Energy Demo-Box für Energy Manager
- F** Feuille intercalaire
Energy Demo-Box pour Energy Manager

Q.DB-ENERGY-CH1

Q.DB-ENERGY-EU1



Bill of materials, Materialliste, Liste de materiel



E

The Energy Demo-Box **Q.KIT-ENERGY-CH / Q.KIT-ENERGY-DE** comprises:

Nr.	Name	Art. Nr.
1	Single-phase energy meter 230 V, I _{max} = 32 A	ALD1D5FS00A2A00
2	Termination box RS-485 line, 230 V	PCD7.T161
3	Three-phase energy meter 3x 230/400 V, I _{max} = 65 A	ALE3D5FS10C2A00
4	Power supply 230 VAC / 24 VDC	PCD7.L500

D

Die Energy Demo-Box **Q.KIT-ENERGY-CH / Q.KIT-ENERGY-DE** besteht aus:

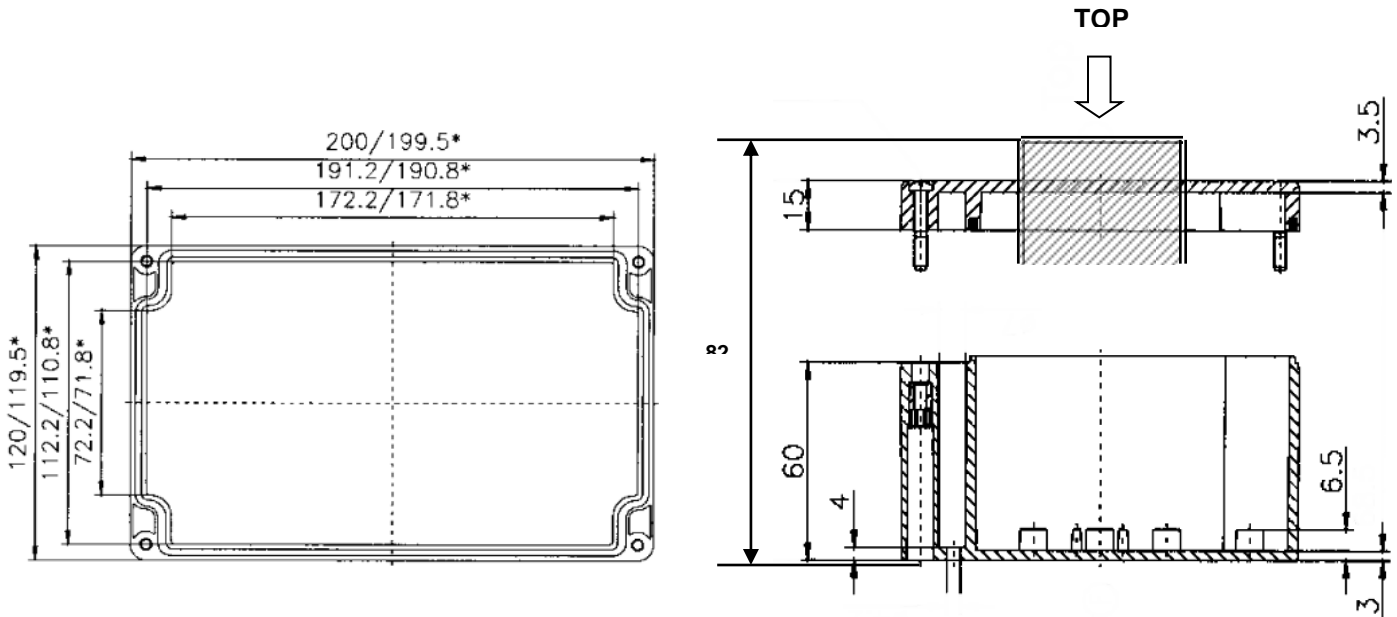
Nr.	Name	Art. Nr.
1	Wechselstromzähler 230 V, I _{max} = 32 A	ALD1D5FS00A2A00
2	RS-485-Abschlusswiderstand 230 V	PCD7.T161
3	Drehstromzähler 3x 230/400 V, I _{max} = 65 A	ALE3D5FS10C2A00
4	Netzteilmodul 230 VAC/ 24 VDC	PCD7.L500

F

Le Energy Demo-Box **Q.KIT-ENERGY-CH / Q.KIT-ENERGY-DE** se compose de:

Nr.	Name	Art. Nr.
1	Compteur d'énergie monophasé 230 V, I _{max} = 32 A	ALD1D5FS00A2A00
2	Terminaison de ligne RS-485, 230 VAC	PCD7.T161
3	Compteur d'énergie triphasé 3x 230/400 V, I _{max} = 65 A	ALE3D5FS10C2A00
4	Alimentation électrique 230 VCA / 24 VCC	PCD7.L500

Dimensions, Abmessungen, Dimensions



Example of connection, Verbindungsbeispiel, Exemple de connecter

