

ROAMING HANDSET & JACK PLATE

Emergency Voice Communication System

The Roaming Handset and Jack plate are designed to provide a cost effective solution for Fire Telephones in high rise buildings.

Honeywell EVCS systems cover a wide range of building types and sizes providing Emergency voice communication between personnel and the Fire and Rescue Services. For larger systems the Network 8 is ideally suited and the Roaming Handset and Jack Plate are an efficient way to provide a network Fire telephone system communication points.

The Roaming Handset is used along with the Jack Plate for Emergency Voice Communication System installations in countries whose fire codes allow for Roaming Handsets*. When used together the Roaming Handset and Jack Plate form a Type A Outstation which is compatible with all EVCS systems.

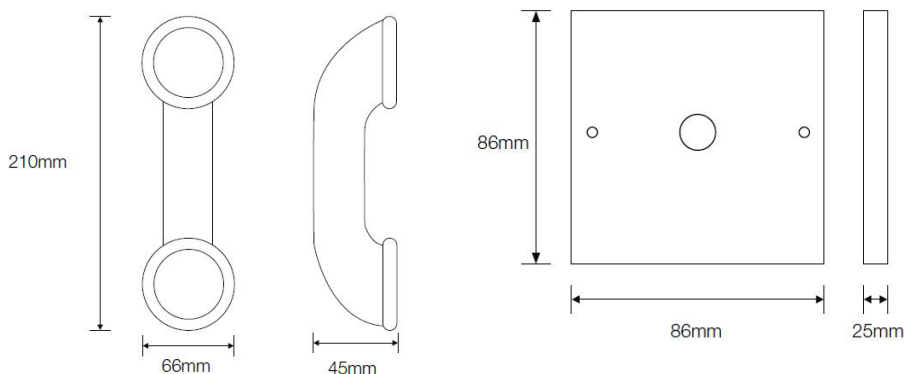
**These units are not suitable for installation in the UK to BS5839 Pt9*



FEATURES AND BENEFITS

- Flexible roaming phone
- Low noise high quality telephone jack
- Telecoil for hearing impaired users
- Stainless steel jack plate
- The Jack Plate can be surface or flush mounted

DIMENSIONS



Jack Plate Technical Specification

CABLES	
Core	2 core 1 mm or 1.5 mm
Distance	500 m
Monitoring 10K 1/4 w	dc open, short and earth

PHYSICAL	
Construction	Brushed Stainless Steel
Dimensions (H x W x D)	86 mm x 86 mm x 25 mm
Weight	140 g

Roaming Handset Technical Specification

CONTROL & CONNECTION	
Call	Automatic "Off Hook" dialing
Jack	1/4" mono neutrik heavy duty

PHYSICAL	
Construction	ABS UL90V1
Dimensions (H x W x D)	210 mm x 66 mm x 45 mm
Weight	700 g

PART NUMBERS	
DESCRIPTION	ORDER CODE
Loose Handset With Jack Lead	EVCS-HLJ
Wall Jack Outlet Point	EVCS-WJP

For more information

Contact your Business Manager

Honeywell

140 Waterside Road
Hamilton Industrial Park
Leicester, LE5 1TN
Tel: +44 (0) 203 409 1779

JP&RH 01 | 03/2020
© 2020 Honeywell International Inc.

Honeywell