

# TYPE B OUTSTATION

Emergency Voice Communication System

The Type B Outstation is designed to be versatile, compact and easy to use Refuge Call Point. This unit can be flush mounted using a simple to install bezel.

The EVCS Type B Outstation is designed to fully comply with BS5839-9:2011 for use as a Fire Telephone system, Disabled Refuge Call system or as a combined system when both Fire Telephones and Disabled Refuge Points are required.

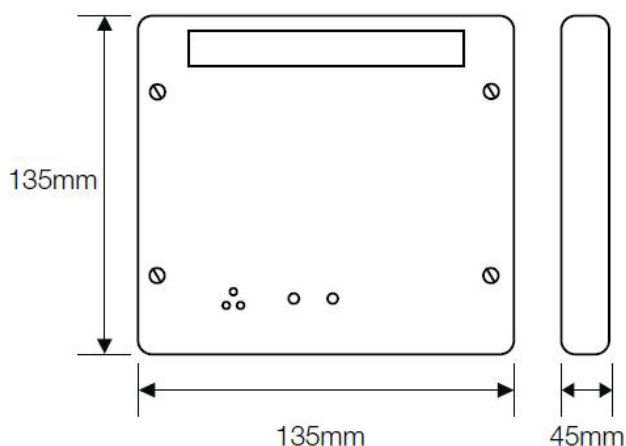
When choosing the Outstation Type for use with an EVCS, we recommend reading Section 11 of BS5839-9:2011 which deals with Outstation Types. Type B Outstations can only be used where the background noise is below 40dBA (therefore there can be no sounder or Voice Alarm coverage in the area).



## FEATURES AND BENEFITS

- Compact design
- Available in Red, Green and Stainless Steel finishes
- Loop output for hearing impaired users
- Tactile braille signage to assist partially sighted people to easily operate Refuge Point
- High volume ringer
- Status LED
- Flush bezel available
- Versatility, the unit can be used on Compact 5 and Network 8 EVCS Systems

## DIMENSIONS



# Type B Outstation Technical Specification

TECHNICAL SPECIFICATION			
CODE:	EVCS-HSBG	EVCS-HSB	EVCS-HSFSS
Description	Surface Outstation Type B		
Standards	EMC: EN55103-1 & EN55103-2 LVD: EN60950 Product Family BS5839 Pt9 & BS9999 & EN60118-4		
OUTSTATION CABLES			
Glands	200 mm		
Cores	2 cores 1 mm or 1.5 mm		
Distance	500 mm		
INDICATIONS AND CONTROLS			
Status LEDs	2 off red (flashes location lights, solid in use)		
Call	Press to call button		
Cancel	Press to cancel button		
PHYSICAL			
Construction	Zintec, Powder Coated		
Colour options	Green	Red	Stainless Steel
Dimensions	135 mm x 135 mm x 45 mm		
Weight	1105g		

ELECTRICAL SPECIFICATION	
Fully monitored connections	DC open, DC Short and Earth Fault

PART NUMBERS	
DESCRIPTION	ORDER CODE
Surface Outstation Type B,Red	EVCS-HSB
Surface Outstation Type B,Green	EVCS-HSBG
Surface Outstation Type B,Stainless Steel	EVCS-HSFSS
Flush Mounting Bezel Type B,Stainless Steel	EVCS-VCFHB

STATUS LED
Flashing for line location
Continuously lit to indicate call confirmation active

HANDS FREE COMMUNICATION
Push button dialling to Compact 5 and Network 8 system
Echo cancellation
Noise reduction
Induction loop output for hearing impaired users
Push button cancel
Braille Signage

**For more information**  
Contact your Business Manager

**Honeywell**  
140 Waterside Road  
Hamilton Industrial Park  
Leicester, LE5 1TN  
Tel: +44 (0) 203 409 1779

TYPE\_B 01 | 02/2020  
© 2020 Honeywell International Inc.