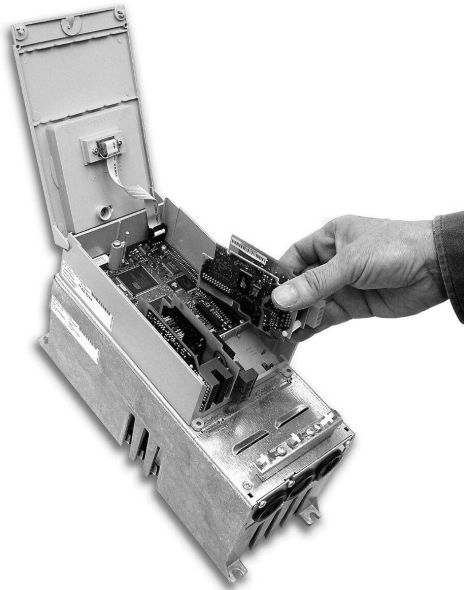


NXOPTCx / OPTCx / OPTe9

FIELD BUS OPTION BOARDS FOR INVERTERS

PRODUCT DATA



TYPES

OS no.	description
NXOPTCx	Fieldbus boards used with NXL HVAC and NXS product series
OPTCx	Fieldbus boards used with SmartDrive HVAC , NXL HVAC and NXS products. All OPTCx boards are varnished as standard
OPTe9	Ethernet dual port used with HVAC and NXS products

SPECIFICATION

LonWorks

Card name	OPTC4
Compatibility	SmartDrive HVAC, NXL HVAC, NXS
Interface	Pluggable connector (5 mm)
Channel type	TP/FT-10
Transfer cable	Twisted pair (1 pair and shielded)
Baud rate	78 Kbit/s
Special	Varnished as standard

Modbus RTU

Card name	NXOPTC2
Compatibility	NXS (with NXL HVAC, SmartDrive HVAC, and SmartDrive COMPACT included as standard)
Interface	Pluggable connector (5 mm)
Data transfer method	RS-485, half-duplex
Transfer cable	Twisted pair (1 pair and shielded)
Electrical isolation	500 VDC
Baud rate	300, 600, 1200, 2400, 4800, 9600, and 38400 baud
Addresses	1 to 247

N2 Metasys

Card name	NXOPTC2
Compatibility	NXL HVAC, NXS (with SmartDrive HVAC included as standard)
Interface	Pluggable connector (5 mm)
Data transfer method	RS-485, half-duplex
Transfer cable	Twisted pair (1 pair and shielded)
Electrical isolation	500 VDC
Baud rate	9600 baud
Addresses	1 to 100

GENERAL

The Honeywell field bus option boards can be used with Honeywell SmartDrive HVAC, NXL HVAC, and NXS inverters when more than standard field buses are needed.

These option boards are designed for easy installation (including onsite installation) and are automatically recognized by the inverter software.

FEATURES

- Easy way to add a field bus
- Plug and Play functionality - software automatically recognizes the option boards
- OPTCx I/O boards varnished as standard

Profibus DP

Card name NXOPTC3
 Compatibility NXL HVAC, NXS
 Interface Pluggable connector (5 mm)
 Data transfer method RS-485, half-duplex
 Transfer cable Twisted pair (1 pair and shielded)
 Electrical isolation 500 VDC
 PPO types 1, 2, 3, 4, 5
 Baud rate 9.6 kbaud to 12 Mbaud
 Addresses 2 to 126

Bacnet MS/TP

Card name NXOPTCJ
 Compatibility NXL HVAC, NXS (with SmartDrive HVAC included as standard)
 Interface Pluggable connector (5 mm)
 Transfer cable Twisted pair (1 pair and shielded)
 Electrical isolation 500 VDC
 Baud rate 9600, 19200, 38400, and 76800 baud (supports autobaud detection)
 MAC Address 1 to 127

CAN open (slave)

Card name NXOPTC6
 Compatibility NXL HVAC, NXS
 Interface Pluggable connector (5 mm)
 Data transfer method CAN (ISO 11898)
 Transfer cable Twisted pair (1 pair and shielded)
 Electrical isolation 500 VDC
 CanOpen CiA DS-301, Cia DSP-402
 Baud rate 10, 20, 50, 100, 125, 250, 500, and 1000 kbaud
 Addresses 1 to 127

Ethernet dual port

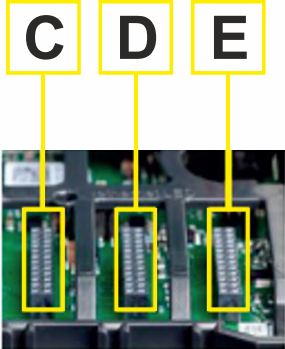
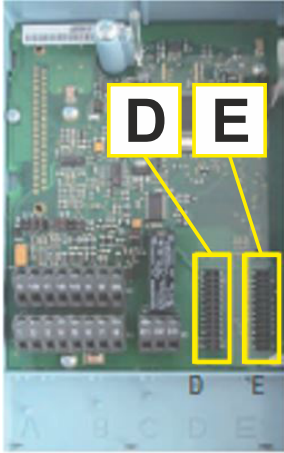
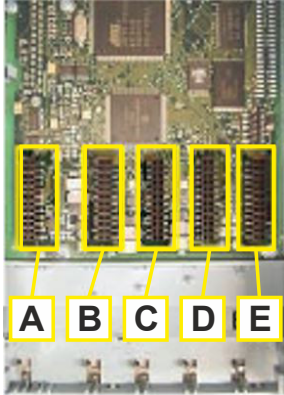

Card name OPTe9
 Compatibility HVAC, HVAC232/402, NXS
 Interface 2x RJ-45 connectors
 Speed 10 / 100 MB
 Duplex Full and half
 Default IP address DHCP

Devicenet

Card name NXOPTC7
 Compatibility NXL HVAC, NXS
 Interface Pluggable connector (5 mm)
 Data transfer method CAN
 Transfer cable 2-wire twisted shielded cable with 2-wire bus power cable and drain.
 Electrical isolation 500 VDC
 Communications ODVA 2.0 compliant
 Baud rate 125, 250, and 500 kbaud
 Product code 0x02 (2)
 Product type 0x02 (AC Drive)
 Network supply voltage 11...25 VDC
 Network input current 28 mA typical, 125 mA in-rush (24 VDC)

Fieldbus Selection

Standard in inverters

HVAC400	NXL	NXS	HVAC232/402
<p>SLOTS</p> 	<p>SLOTS</p> 	<p>SLOTS</p> 	<p>OPTIONS: 1 SLOT REQUIRED</p> <p>EXTERNAL COVER ENC-SLOT MI1-MI3 (≤ 5.5 kW)</p> <p>INTERNAL MOLD ENC-SLOT MI4-MI5 (> 5.5 kW)</p> 

Communication	HVAC400	NXL	NXS	HVAC232/402	Slot	Order no.
LonWorks	▲	▲	▲	--	C, D	OPTC4
Modbus / N2 (RS-485)	■	■	▲		C, D	NXOPTC2
Profibus DP	--	▲	▲		C, D	NXOPTC3
CANopen (slave)	--	▲	▲		C, D	NXOPTC6
DeviceNet	■	▲	▲		C, D	NXOPTC7
BACnet MS/TP	■	▲	▲		D, E	NXOPTCJ
Modbus TCP Ethernet/IP	--	--	▲	▲*	D, E	OPTe9

■ = embedded, ▲ = fit; ▲* = needs optional item ENC-SLOT MI1-MI3 or ENC-SLOT MI4-MI5

Home and Building Technologies

Honeywell GmbH
Böblinger Strasse 17
71101 Schönaich, Germany
Phone +49 (0) 7031 637 01
Fax +49 (0) 7031 637 740
<http://ecc.emea.honeywell.com>