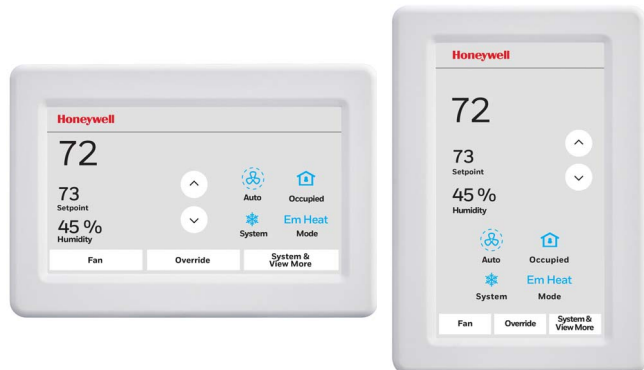


Honeywell

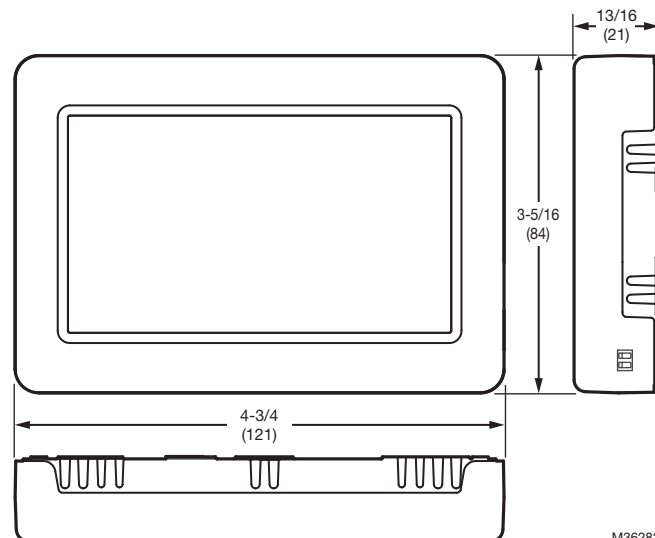
# TR120 Touch Screen Zio® Wall Modules

TR120 AND TR120-H WITH SYLK™

**SPECIFICATION DATA**



## Dimensions



M36282

**Fig. 1. Dimensions in inches (mm).**

## PRODUCT DESCRIPTION

The TR120/TR120-H are color touch screen wall modules compatible with Spyder® Classic, Stryker, and CIPer™ 30 controllers. The wall module communicates and is powered by the Sylk bus, so no additional wiring is needed. All versions include integral temperature and the TR120-H adds a humidity sensor to control comfort. The device enables local controller configuration through an easy to use touch screen interface with menu driven selections.

## Features

- Home screen can display one to three of any of the following parameters: Temperature Setpoint, Room Temperature, Room Humidity, Outdoor Humidity, Outdoor Temperature, and Time, or one of virtually any parameter in the controller.
- Vertical or horizontal orientation
- Restricted tenant access to controller parameters or imposed HVAC settings limits via password protection.
- Assign labels for enumerated values.
- Link setpoint limits to a network variable.
- Access and adjust most parameters in the Honeywell controller.
- Access and adjust the controller schedule.
- Balance the VAV system from the wall module.
- Permanent retention of user configuration, including setpoints after a power outage.

**Table 1. Models**

Sylok Zio Wall Module	Temp	Humidity	Features	Password Protected Access	Customizable Parameters*	Schedule Access**
TR120	X		Color Touch Screen	Contractor	X	X
TR120-H	X	X	Temp, Override, Setpoint Adjustment, Fan		X	X

\*For accessing virtually any point in the controller, balancing from wall module, etc.

\*\*Schedule access for simplified commissioning or modification after install.



31-00312-02

## Sylk Bus

The wall module communicates with the controller via Sylk, which is a two-wire, polarity-insensitive bus that provides both 18 Vdc power and communications. This enables a faster and less expensive installation all while minimizing errors. The recommended wire for Sylk is 18-24 AWG (0.82 to 0.20 sq mm) single twisted pair, solid or stranded wire, unshielded. Standard thermostat wire (non-twisted pair) can be used for runs up to 100ft (30m). See Table 2.

**Table 2. Maximum Distance.**

Recommended maximum distance from controller to any Sylk device		
Single twisted pair, non-shielded, stranded or solid		Standard thermostat wire, (non-twisted), shielded or non-shielded, stranded or solid
18-22 AWG	24 AWG	18-24 AWG
500 ft (150 m)	400 ft (120 m)	100 ft (30 m)

## Compatibility

The TR120 wall module has been designed for use with Spyder® Classic, Stryker, and CIPer™ 30. It can directly accept a TR71 or TR75 application download from the controller with no additional modifications needed.

A TR71, TR71-H, TR75, or TR75-H wall module wired to the controller in the field can be directly replaced by the TR120 or TR120-H; simply remove the old wall module and install the new wall module (including new backplate). The backplate sizes and mounting holes are identical. The TR120 will accept the TR71 or TR75 file configuration (proxy file) downloaded from the existing controller and provide exactly the same configuration and functionality in a nicer touch screen user interface.

## SPECIFICATIONS

### Display:

Resistive LCD Touch Screen  
4.3 inch (109 mm) diagonal  
480 x 272 pixels

### Environmental Ratings:

Operating Temperature: 32°F to 122°F (-0°C to 50°C)  
Storage Temperature: -4°F to 158°F (-20°C to 70°C)  
Relative Humidity: 5% to 95% non-condensing

### Temperature Setpoint Range:

Default range is 55°F to 85°F (10°C to 35°C)  
Configurable for other ranges.

### Temperature Sensor Accuracy:

±0.36°F at 77°F (±0.2°C at 25°C)  
±0.9°F within operating range 41-99°F (±0.5°C within operating range 5-37°C)

### Humidity Sensor Accuracy (TR120-H only):

±3% RH from 20% to 80% RH at temperatures 41°F - 122°F (5°C - 50°C)

### Power Supply/Consumption:

18 VDC from controller Sylk bus  
50 mA maximum  
Maximum qty. (1) TR120 per Sylk bus

### Mounting/Installation:

Horizontal or vertical orientation  
82.5 mm junction box  
60 mm J-box  
UK pattress box  
Direct mount with suitable wall anchors

### Approvals:

CE  
FCC Part 15, Class B for emissions  
Canadian ICES-003

### Waste Electrical and Electronic Equipment (WEEE):



Correct disposal of this product (applicable in the European Union and other European countries with separate collection systems). This product should be disposed of, at the end of its useful life, as per applicable local laws, regulations, and procedures.

## Honeywell Building Technologies

In the U.S.:

Honeywell

715 Peachtree Street NE

Atlanta, GA 30308

customer.honeywell.com