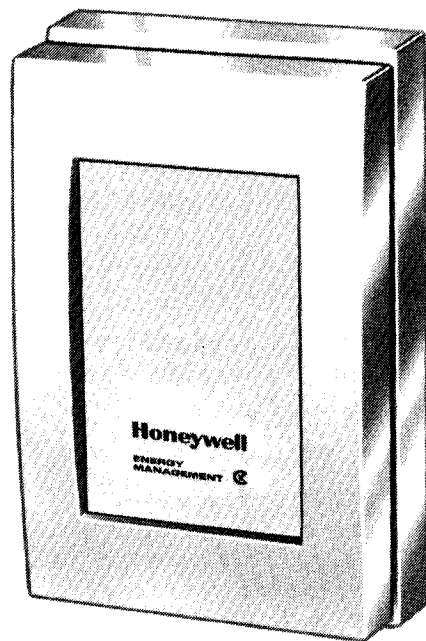


Honeywell

THE T7067A ELECTRONIC THERMOSTAT AND T7067B TRANSMITTER CONTROL SPACE TEMPERATURE WHEN EMPLOYED IN A HONEYWELL W973 SINGLEZONE LOGIC PANEL HEATING-COOLING SYSTEM.

- T7067A Electronic Thermostat has an integral space temperature sensor.
- T7067B Transmitter is designed for use with a T7047C1025 or T7022A1010 remote temperature sensor.
- Separate 1-16V dc voltage ramps provide independent heating and cooling thermostat signals to the W973 Singlezone Logic Panel.
- Separate heating and cooling set point adjustment levers on all models.
- Locking set point adjustment levers are concealed under device cover.
- Load reactive time delays insure stable system performance.
- All stages cycle off upon power failure; required stages are restored with a time delay between stages when power is returned.
- One T7067 can control up to 6 paralleled W973 logic panels.
- Checkout of control system can be performed at the T7067 using 2 LED's provided under the device cover.
- Power to T7067 is provided by the W973 Singlezone Logic Panel.
- Temperature anticipation provided to system by C7046A Discharge Air Sensor.
- Thermostat mounts on standard 2 x 4 in. outlet box or on a nonconductive flat surface.
- Meets ASHRAE 90-75 guidelines.
- Model available to meet United States Department of Defense Standards.
- All models include wiring plate.

ELECTRONIC THERMOSTAT AND TRANSMITTER



T7067A,B

SPECIFICATIONS

MODELS: T7067 Electronic Thermostat and Transmitter for use with the W973 Singlezone Logic Panel. Dual set point adjustment levers are concealed under the device cover. Light emitting diodes (LED's) under the device cover allow checkout of control system from the thermostat.

T7067A Electronic Thermostat—has an integral thermistor sensor for space temperature.

T7067B Transmitter—no space temperature sensor included; designed for use with T7047C1025 or T7022A1010 remote temperature sensor (order separately, see Accessories).

ELECTRICAL RATINGS:

Voltage—20V dc from W973 panel.

Current draw—20 milliamps.

AMBIENT TEMPERATURE RANGE: Minus 40 to plus 150 F [minus 40 to plus 65 C].

SET POINT ADJUSTMENT RANGE: 55 to 85 F [13 to 29 C].

HEATING-COOLING DEADBAND:

Minimum—3 F [1.7 C], with set point levers together.
Maximum—30 F [17 C], with set point levers at opposite ends of scale.

OUTPUT SIGNALS: Two 1-16V dc signals (one each for cooling and heating) to W973 panel.

OUTPUT SIGNAL RATE OF CHANGE (upon deviation from set point): 2.5V dc/1 F [0.5 C].

MOUNTING: Mounts on standard vertical 2 x 4 in. outlet box or any nonconductive flat surface. Two No. 6-32 UNC, 5/8 in. [15.9 mm] screws are provided for mounting wallplate on outlet box. Thermostat mounts on wallplate. Use a 130821C Wallplate Adapter for vertically mounting a T7067 on a horizontal outlet box.

COVER: Silver-bronze painted, molded plastic.

DIMENSIONS: See Figs. 1 and 2.

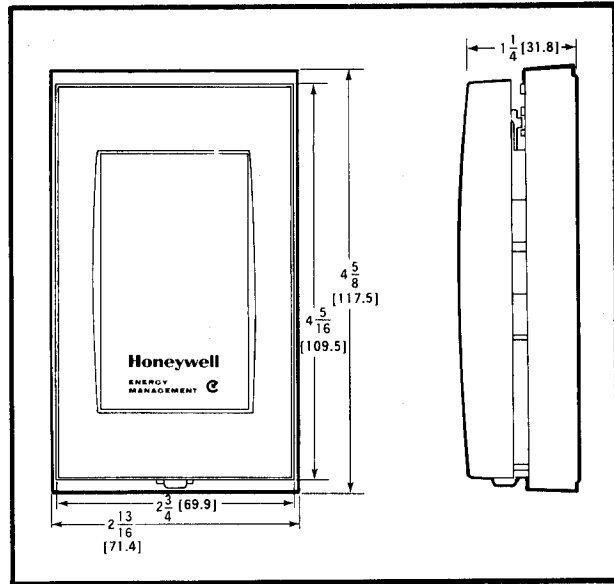


FIG. 1—APPROXIMATE DIMENSIONS, IN INCHES [MILLIMETRES], OF T7067 THERMOSTAT.

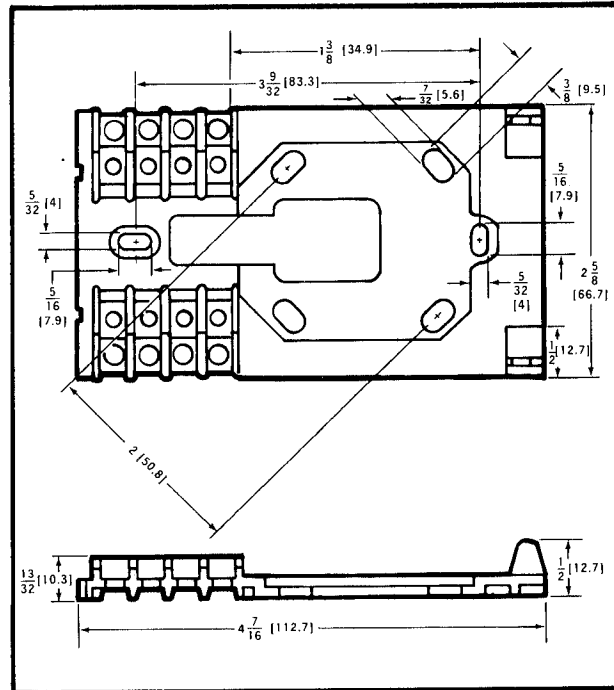


FIG. 2—APPROXIMATE T7067 WALLPLATE DIMENSIONS IN INCHES [MILLIMETRES].