



MSXX20F; S2024-F; S20230-F Series

175 LB-IN (20 NM) FAST-ACTING, SPRING RETURN,
TWO-POSITION DIRECT COUPLED ACTUATORS FOR FIRE/
SMOKE CONTROL APPLICATION



SPECIFICATION DATA

APPLICATION

The MS4120F, MS8120F Fast-Acting, Two-Position Actuators are spring return direct coupled actuators (DCA) for on/off damper control designed to operate reliably in smoke control systems requiring Underwriter's Laboratories Inc. UL555S ratings up to 350°F, if applicable. The actuator accepts an on/off signal from a single-pole, single-throw (spst) controller. Reversible mounting allows actuator to be used for either clockwise (cw) or counterclockwise (ccw) spring rotation.

SPECIFICATIONS

Auxiliary Switches (SPST):

- Dry Contact
- Ratings (maximum load): 250 Vac, 5A resistive.
- Settings (fixed): 7° nominal stroke, 85° nominal stroke.

Dimensions:

- See Fig. 1.

Device Weight:

- MS4120F: 7.5 lb (3.4 kg)
- MS8120F: 6.25 lb (2.8 kg)

Temperature Ratings:

- Ambient: -40°F to 130°F (-40°C to 55°C).
- Shipping and Storage: -40°F to 140°F (-40°C to 60°C).

IMPORTANT

The actuator is designed to meet UL555S standards at 350°F (176°C) on applicable marked models. The actuator must be tested with the damper to achieve this rating.

Humidity Ratings:

- 5% to 95% RH noncondensing.

Stroke:

- 95° ± 3°, mechanically limited.

Minimum Damper Shaft Length:

- 1 in. (25 mm); 3-1/4 (83 mm) recommended.

Mounting:

- Self-centering shaft adapter.
 - Round Damper Shafts: 0.5 to 1.06 in.
 - Square Damper Shafts: 1/2 to 3/4 in.
 - Actuator can be mounted with shaft in any position.

IMPORTANT

3/4 in. or greater shaft diameter recommended.

Torque Rating (at rated voltage):

- Typical Holding (minimum at 350°F): 175 lb-in. (20 Nm).
- Spring Return (minimum at 350°F): 175 lb-in. (20 Nm).
- Stall Maximum (fully open at 75°F): 350 lb-in (39.6 Nm).
- 350°F Minimum Driving: 175 lb-in. (20 Nm).

Design Life (at Rated Voltage):

- 30,000 full stroke cycles.

FEATURES

- 175 lb-in. (20 Nm) minimum driving torque at 350°F (176°C).
- Reversible mounting facilitates use in either clockwise (cw) or counterclockwise (ccw) spring rotation.
- Integral spring return ensures level of return torque.
- Stainless steel internal spring.
- Fifteen-second spring return timing.
- No special cycling required during long-term holding.
- No audible noise during holding.
- Patent pending design eliminates need for limit switches to reduce power consumption.
- Models available for 24 and 120 Vac applications.
- Ninety-five degree angle of rotation.
- Actuator holds rated torque at reduced power level.
- Die-cast aluminum housing.
- Housing design allows flush mounting to damper.
- Self-centering shaft adapter (SCSA), patent pending.
- High temperature Teflon® lead wires.
- Designed to operate reliably in smoke control systems requiring Underwriter's Laboratories Inc. UL555S ratings up to 350°F.
- Non-UL model available.
- MODELS AVAILABLE WITH INTEGRAL HIGH TEMPERATURE (350°F) SPST POSITION-INDICATING SWITCHES (7°, 85° STROKE).

Electrical Ratings:

- Power Input:
 - MS4120F: 120 Vac ±10%, 60 Hz.
 - MS8120F: 24 Vac +20%, -10%, 50/60 Hz (Class 2).
- Power Consumption:
 - MS4120F: Driving: 0.35A, 35W. Holding: 0.15A, 10W.
 - MS8120F: Driving: 45 VA. Holding: 10 VA.

Electrical Connections:

- Lead Wires (both Power and End Switch): 1m Teflon wire.
- Two integral 3/8 in. flexible conduit connections.

Timing (At Rated Torque and Voltage):

- Drive Open: 15 seconds typical.
- Spring Close: 15 seconds typical.

Controller Type:

- MS4120F: Line voltage (120 Vac), 2-position, spst (Series 40).
- MS8120F: Low voltage (24 Vac), 2-position, spst (Series 80).

Noise Rating at 1m (Maximum):

- Driving or Spring Return: 70 dBA.
- Holding: 20 dBA (no audible noise).



Vibration:

- Not suitable for high vibration applications (Example installation environment: Truck Trailers or Railroad Cars)
- Acceptable Vibration Levels 0.6g at 30 to 300 Hz.

Models:

Table 1. Models Selection (MS Series).

M	Electrical Motor
S	Fail Safe Function (Spring Return)
41	120 Vac 2-position Control; Reversible Mount Spring Return
81	24 Vac 2-position Control; Reversible Mount Spring Return
20	175 lb-in. (20 Nm)
F	Fire and Smoke (US)
1	No Feedback
0	No Auxiliary Switches
2	Two Auxiliary Switches
XX	System Controlled Numbers
-	UL Marked
NM	No Marking

M	S	41	20	F	1	2	XX
----------	----------	-----------	-----------	----------	----------	----------	-----------

^a Internal SPST switches are designed to pass UL555S requirements (at 350°F) if applicable.

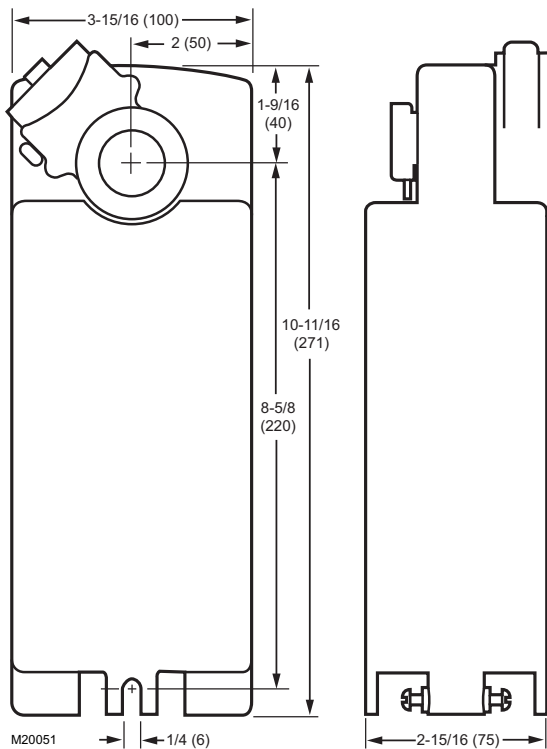


Fig. 1. Dimensional drawing of actuator in in. (mm).

Teflon[®] is a registered trademark of the E.I. du Pont de Nemours and Company.

National Fire Codes[®] is a registered trademark of the National Fire Protection Association (NFPA).

By using this Honeywell literature, you agree that Honeywell will have no liability for any damages arising out of your use or modification to, the literature. You will defend and indemnify Honeywell, its affiliates and subsidiaries, from and against any liability, cost, or damages, including attorneys' fees, arising out of, or resulting from, any modification to the literature by you.

Home and Building Technologies

In the U.S.:

Honeywell

1985 Douglas Drive North

Golden Valley, MN 55422-3992

customer.honeywell.com

TYPICAL SPECIFICATION

Power-fail return actuator shall be direct coupled type that requires neither crankarm nor linkage and be capable of direct mounting to a jackshaft of up to one inch diameter. The actuator shall connect to the shaft using a removable output hub with a self-centering shaft coupling that provides concentric mounting.

Actuators shall have integral conduit connections and Teflon leadwires for both power and end switch connections.

The actuator must provide two-position control. Upon power failure the hub must return by a string-type mechanism internal to the actuator. The actuator design must be for use in either clockwise or counterclockwise fail-safe operation.

Actuators shall have a minimum performance of 30,000 full stroke cycles documented in the product literature. Actuators shall be UL and cUL listed, manufactured under ISO 9001 International Quality Control Standards.

Cycling Requirements:

- Prolonged holding-period (1 year) testing of these actuators has been performed with no spring return failures. The actuator and the internal spring are designed to require no special cycling during long-term holding.
- Honeywell recommends following all local, state and national codes for periodic testing of the entire smoke control system. Refer to National Fire Protection Association (NFPA) National Fire Codes[®]: NFPA90A, NFPA92A and NFPA92B for your application.
- NFPA recommends periodic examination of each fire/smoke damper (semi-annually or annually) to ensure proper performance.

Environmental Protection Ratings:

- NEMA2 and IP54 when mounted on a horizontal shaft and the base of the actuator below the shaft.

Approvals:

- See Table 2.

Accessories (not supplied with actuator):

- 205649 Mounting Bracket (not supplied with actuator).

Table 2. Approvals.

	MS4120F	MS8120F
UL/cUL (optional)	X	X
UL873 Plenum Rating, File No. E4436;	X	X
Guide No. XAPX. ^a (optional)		
CE		X
C-TICK		X

^a Plenum applications require that conductors be enclosed in conduit (see Wiring section for conduit details).

