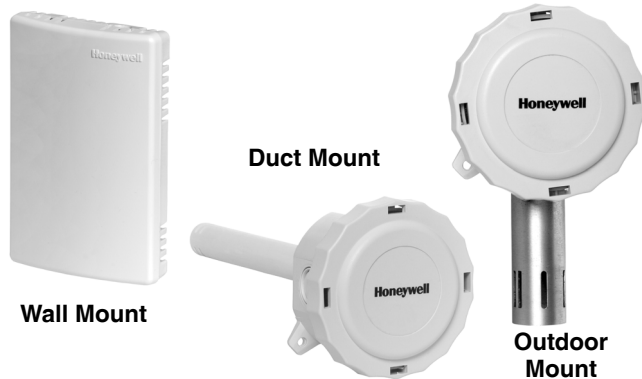


Honeywell

H7625, H7635, H7655 Series 2000 Humidity/Temperature Sensors

SPECIFICATION DATA



The H7625, H7635, and H7655 are highly accurate, stable humidity transducers designed for use with HVAC controllers such as the T7350 Thermostat, H775 Remote Humidity Controller, and W7760 Direct Digital Controllers. The Ceramic Technology humidity sensor is not affected by condensation and provides excellent long-term stability.

FEATURES

- **Ceramic Technology overcomes the limitations of other resistance based humidity sensors that use water soluble polymer coatings.**
- **Ceramic Technology allows sensors to recover fully from condensation, fog, and high humidity.**
- **Highly accurate, repeatable, stable output with negligible hysteresis.**
- **Temperature compensated output**
- **Zero and span trimmers, and increment/decrement recalibration feature.**
- **All units have selectable 4-20mA, 0-10Vdc, or 0-5Vdc output.**
- **NIST traceable 2%, 3%, and 5% calibration, every sensor calibrated at 3 different points.**

SPECIFICATIONS

Operating RH Range:

- 0 to 95% RH non-condensing.

RH Measurement Range:

- 0-100% RH

Humidity Accuracy:

- $\pm 2\%$, $\pm 3\%$ or $\pm 5\%$ from 20 to 95% RH.

1K Ohm Temperature Accuracy:

- $\pm (0.15 + 0.002t)$ C t = actual temperature in C

20K Ohm Temperature Accuracy:

- ± 0.4 °F at 77 °F (± 0.2 °C at 25 °C)

1K Ohm Temperature Output Range:

- Room: 32 to 122 °F (0 to 50 °C).
- Duct: -58 to 572 °F (-50 to 300 °C).

20K Ohm Temperature Output Range:

- Room: 40 to 110 °F (4 to 43 °C).
- Duct/Outdoor: -40 to 240 °F (-40 to 116 °C).

Hysteresis:

- Less than $\pm 0.5\%$ RH.

Supply Voltage:

- 4-20mA Output: 250 Ohm Load 15 – 40 VDC / 18 – 28 VAC
- 4-20mA Output: 500 Ohm Load 18 – 40 VDC / 18 – 28 VAC (500 Ohm Load Max)
- 0-5 VDC Output: 12 – 40 VDC / 18 – 28 VAC (10K Load Minimum)
- 0-10 VDC Output: 18 – 40 VDC / 18 – 28 VAC (10K Load Minimum)

Maximum Supply Current:

- Current Mode: 24 mA.
- Voltage Mode: 8 mA.

Finish:

- Room Enclosure: ABS Plastic (UL94-VO rated).
- Duct Enclosure: ABS Plastic (UL94-5VA rated).
- Outdoor Enclosure: ASA Plastic (UL-94VO rated).

Compensated Temperature Range: Full RH Range

- Room: 32 to 122 °F (-0 to 50 °C).
- Duct/Outdoor: -10 to 140 °F (-23 to 60 °C)

Humidity Response Time:

- 200 seconds.

Saturation Response Time:

- 10 minutes.

Sensitivity:

- 0.1% RH.

Interchangeability:

- Less than $\pm 3\%$ RH nominal.

Repeatability:

- 0.5% RH.

Long term drift:

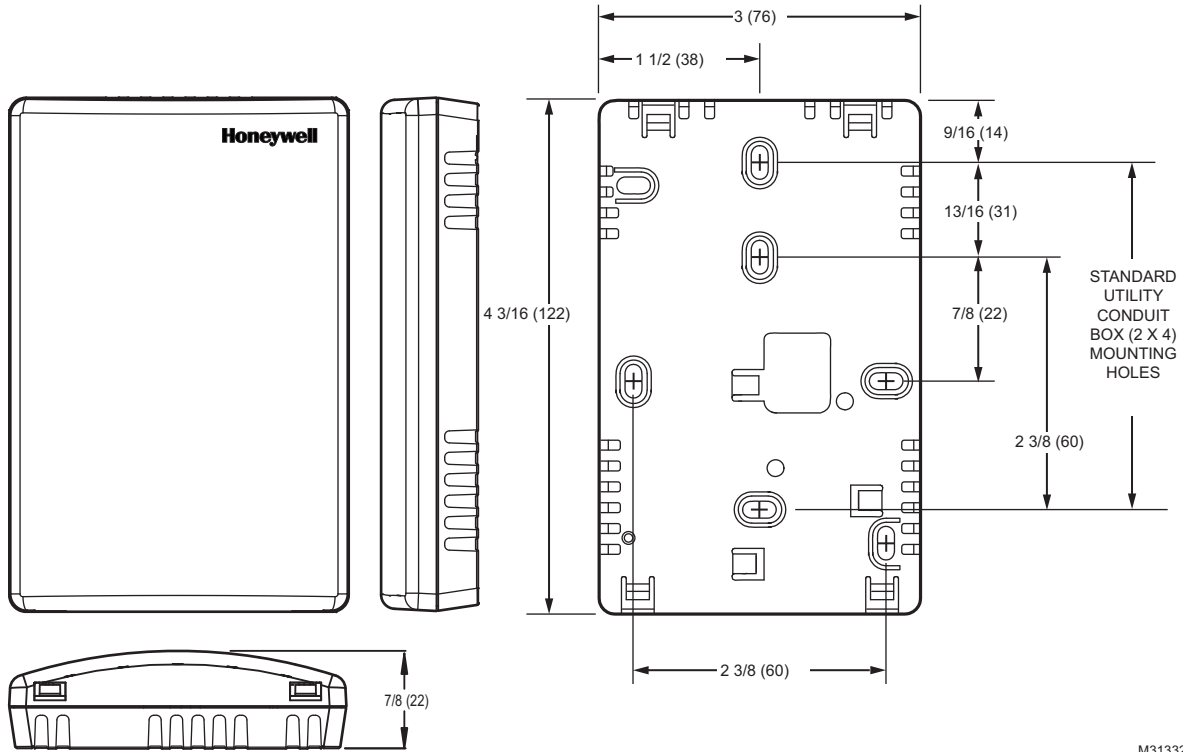
- Less than 2% RH drift/5 years.



63-4521-04

Table 1. Model Description

MODEL NUMBER	REPLACES	RH ACCURACY	MOUNTING	TEMPERATURE SENSOR	OUTPUT SIGNAL	USED WITH			
H7625A2010	H7625A1008	2%	ROOM	20K ohm at 77F, reference 206598	Selectable 4-20mA, 0-10Vdc, or 0-5Vdc	T7350, H775, XL50, XL500, XFC, W7750B/C, W7753, W7760A/C, W7761			
H7635A2012	H7635A1006	3%							
H7625B2006	H7625B1006	2%	DUCT						
H7635B2018	H7635B1004	3%							
H7655B2014	H7655B1009	5%							
H7635C2015	H7635C1002	3%	OUTDOOR						
H7626A2020		2%	ROOM				1097 ohm at 77F		T775
H7636A2022		3%							
H7626B2024		2%	DUCT						
H7636B2026		3%							
H7656B2029		5%							



M31332

Fig. 1. Wall-mount sensor dimensions in in. (mm).

TYPICAL SPECIFICATION

Humidity transducer shall be accurate to $\pm 2\%$, $\pm 3\%$, or $\pm 5\%$ RH (whichever is specified) across the relative humidity range from 20-95%, NIST traceable calibration.

Humidity transducers shall be calibrated at three different points across the RH range.

Interchangeability of output between humidity transducers shall be within $\pm 3\%$.

Each humidity transducer shall have selectable 4 to 20 mA, 0 to 10 Vdc, or 0 to 5 Vdc output.

Each humidity transducer shall have the option for field calibration using zero and span potentiometers, and toggle switches to increment or decrement the RH value in steps of 0.5% RH.

Accuracy of the humidity transducers shall not be adversely affected by condensation.

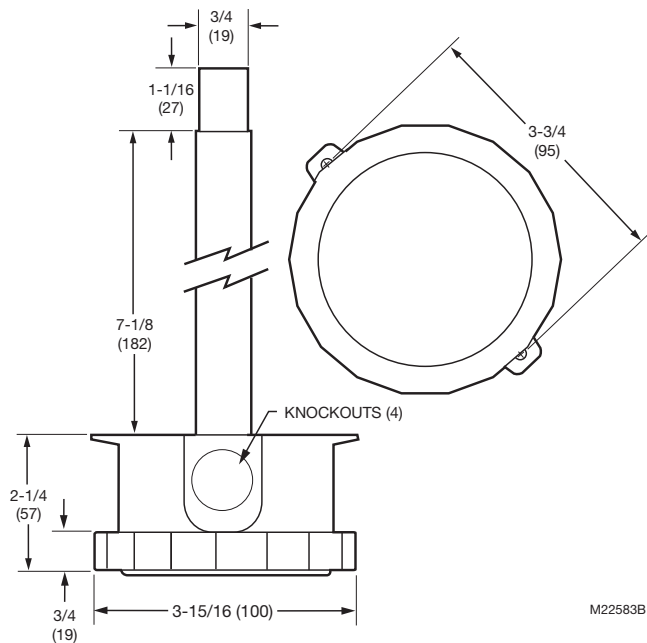


Fig. 2. Duct-mount sensor dimensions in in. (mm).

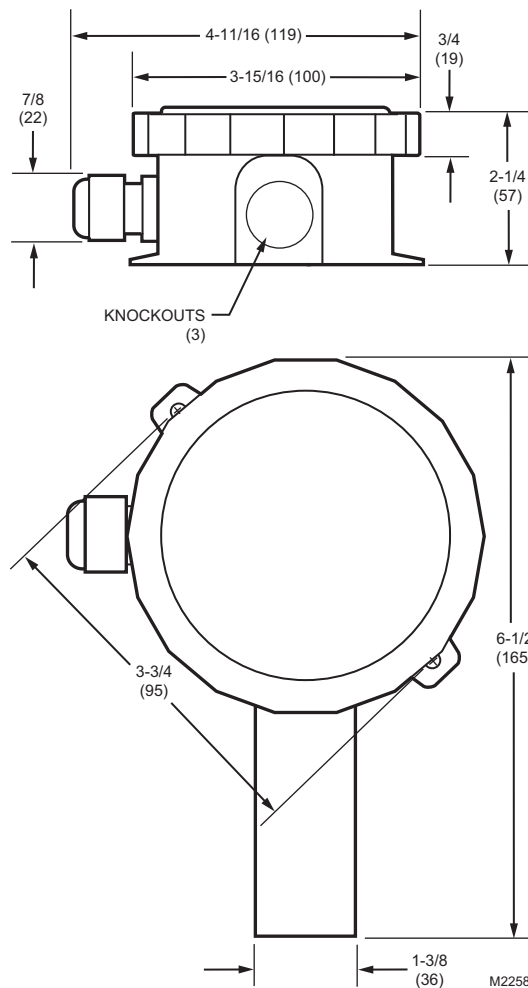


Fig. 3. Outdoor-mount sensor dimensions in in. (mm).

By using this Honeywell literature, you agree that Honeywell will have no liability for any damages arising out of your use or modification to, the literature. You will defend and indemnify Honeywell, its affiliates and subsidiaries, from and against any liability, cost, or damages, including attorneys' fees, arising out of, or resulting from, any modification to the literature by you.

Home and Building Technologies

In the U.S.:

Honeywell

1985 Douglas Drive North

Golden Valley, MN 55422-3992

customer.honeywell.com

® U.S. Registered Trademark
© 2017 Honeywell International Inc.
63-4521-04 M.S. Rev. 04-17
Printed in United States

Honeywell