

## MMU (Multiple Meter Unit) Cabinets

### SPECIFICATION DATA



### FEATURES

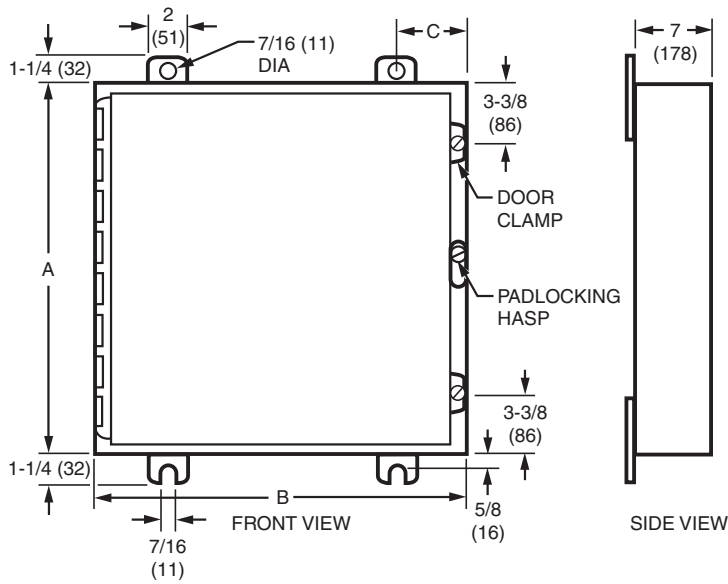
- Available in configurations containing up to 8, 16, or 24 meters.
- MMU cabinets may contain Honeywell Class 100\*, Class 200 (kWh or kWh/demand), Class 320, Green Class Meters and IDR's.
- Compact installation of multiple meters allows for easy and centralized reading.
- IDRs (Interval Data Recorders) can be factory installed inside the MMU enclosures along with the meters allowing for easy interface to the E-Mon Energy software system. (IDRs are mounted on the back wall of the enclosure.)
- Three-phase MMU cabinets come with prewired voltage feeds. If IDR(s) are installed inside MMU cabinets, the connections from the meters to the IDR are also prewired at the factory.
- MMU cabinets may contain meters of different voltage configurations. (i.e. 208V & 480V meters inside a single MMU enclosure.)

**NOTE:** \*Single-Phase 277V meters not compatible with MMU cabinets.

**NOTE:** The MMU unit must be ordered separately when selecting 'M' for the enclosure type for class 100, 200, 320 and IDRs.



MMU (MULTIPLE METER UNIT) CABINETS



MMU	DIMENSIONS IN INCHES AND (MM)		
	A	B	C
HMMU-8	24 (610)	12 (305)	1-1/4 (32)
HMMU-16	24 (610)	20 (508)	3 (76)
HMMU-24	30 (762)	24 (610)	3 (76)

MMU	METER CONFIGURATION		TASK METER SPACES
	ACROSS	DOWN	
HMMU-8	2 (51)	4 (102)	8 (203)
HMMU-16	4 (102)	4 (102)	16 (406)
HMMU-24	5 (127)	5 (127)	24 (610)

M34287

**Class 320 Meter Selection Guide**

Series	Class		Voltage	Current		Enclosure Type	Protocol	Current Sensors		
H	32	-	208	100-	J	JIC STEEL ENCLOSURE	RTU	Modbus RTU	KIT	NO OPTIONS, SPLIT CORE SENSORS
		-	480	200-	R	NEMA 4X ENCLOSURE	BAC	BACNET MS/TP		
		-	600	400-	M	MMU STYLE METER	EZ7	EZ-7		
				800-						
				1600						
				3200						

Example: H32-480400-JRTUKIT = Class 320 Three-Phase 480V 400A Steel Enclosure, Modbus RTU, Three Current Sensors

Example: H32-4801600MEZ7KIT = Class 320 Three-Phase, 480V 1600A for MMU Enclosure, RS-485 EZ-7, Three current Sensors. (Please note that MMU unit should be ordered separately when selecting 'M' for the enclosure type.)

\* When the "M(MMU)" enclosure type is chosen, MMU should be ordered separately.

**MMU (Multi Meter Unit) Selection Guide**

Part Number	Description
HMMU-8	MMU-8 CABINET/ENCLOSURE for 8 meters
HMMU-16	MMU-16 CABINET/ENCLOSURE for 16 meters
HMMU-24	MMU-24 CABINET/ENCLOSURE for 24 meters
MMU-BLANK	MULTIPLE METER UNIT BLANK SPACE

\*Note: MMU units should be ordered separately when 'M' is chosen for the meter enclosure option.

\*Note: MMU units are available for H10, H20, H32 class meters and HIDRs.

\*Note: When ordering meters less than the capacity of the MMU, please fill up the difference with the 'MMU-BLANK' spaces. For example, if you buy 6 meters for HMMU-8, you need 2 MMU-Blank spaces (8-6=2).

Class 100 Selection Guide										
Series	Class		Voltage	Current	Enclosure Type			Current Sensors		
H	10	-	2120	25-	J	JIC STEEL ENCLOSURE		KIT	SPLIT-CORE CURRENT SENSORS	
		-	3208	50-	R	NEMA 4X ENCLOSURE				
				100	M	MMU STYLE METER				
				200						
Example: H10-212025-JKIT = Class 100 Single Phase 120V 25A Steel Enclosure with 1 Current Sensor										
Example: H10-3208100JKIT = Class 100 Single Phase 208V 100A Steel Enclosure with 2 Current Sensors										

Class 200 Selection Guide											
Series	Class		Voltage	Current	Enclosure Type			Green or Demand Option		Current Sensors	
H	20	-	208	100-	J	JIC STEEL ENCLOSURE	-G-	GREEN CLASS METER	KIT	SPLIT-CORE CURRENT SENSORS	
		-	480	200-	R	NEMA 4X ENCLOSURE	-D-	DEMAND			
		-	600	400-	M	MMU STYLE METER	KIT	NO OPTIONS, SPLIT CORE SENSORS			
				800-							
				1600							
				3200							
Example: H20-480100-RKIT = Class 200 Three Phase 208/240V 100A NEMA 4X Enclosure with 3 Current Sensors.											
Example: H20-2081600R-D-KIT = Class 200 Three Phase 208/240V 1600A NEMA 4X Enclosure, Demand Option, with Three Current Sensors.											

Interval Data Recorder Selection Guide							
Class	# of Meters	Enclosure Type		Protocol		Connection	
		H	8-	J	JIC STEEL ENCLOSURE	01	EZ-7, EZ-7 ETHERNET
	16	M	MMU STYLE METER	02	MODBUS RTU, EZ-7 ETHERNET	RJ	RJ CONNECTIONS
				03	BACHNET MS/TP, EZ-7 ETHERNET		
				04	EZ-7, MODBUS TCP/IP		
				05	EZ-7, BACNET IP		
				06	MODBUS RTU, MODBUS TCP/IP		
				07	LONWORKS TP, EZ-7 ETHERNET		
				08	LONWORKS TP, MODBUS TCP/IP		
				09	EZ-7, EZ-7 ETHERNET WITH MODEM		
				10	EZ-7, MODBUS TCP/IP WITH MODEM		
				11	EZ-7, BACNET IP WITH MODEM		
Example: HIDR-8-J05KIT = IDR for 8 Meters, Steel enclosure, EZ-7 RS-485 and EZ-7 Ethernet with Three Current Sensors.							
Example: HIDR-16J02RJ = IDR for 16 meters, Steel enclosure, Modbus RTU and EZ-7 Ethernet with Three Current Sensors.							

**MMU STYLE METER ORDER EXAMPLE**

Here is an example of how to order meters with a MMU unit. Let's say you want to buy 3 units of class 320 meters and 3 units of class 200 meters in a HMMU-8 unit.

1. Please fill out the order form as seen below.

Part Number	Net Price	Quantity	Total Price
HMMU-8	-	1	-
H32-480800-MBACKIT	-	3	-
H20-208400-MKIT	-	3	-
MMU-BLANK	-	2 (8-6=2)	-

2. A HMMU unit can take up to 8 (HMMU-8), 16 (HMMU-16), or 24 (HMMU-24) units of class 100, 200, 320 meters or IDRs.
3. When ordering meters less than the capacity of the MMU, you fill up the difference with the 'MMU-BLANK' spaces. In this case, you're buying 6 meters for HMMU-8 so you need 2 MMU-Blank spaces (8-6=2).
4. Meters that go into the same HMMU unit can be different classes as well as different voltages/currents. Be sure you submit a separate PO for every HMMU cabinet setup, so that it is clear which meters are being installed in each HMMU. Please note when mixing class 200 meters with other classes of meters, class 200 meters should be located at the bottom row in the MMU due to their form factor.

**Automation and Control Solutions**

Honeywell International Inc.  
 1985 Douglas Drive North  
 Golden Valley, MN 55422  
 customer.honeywell.com

