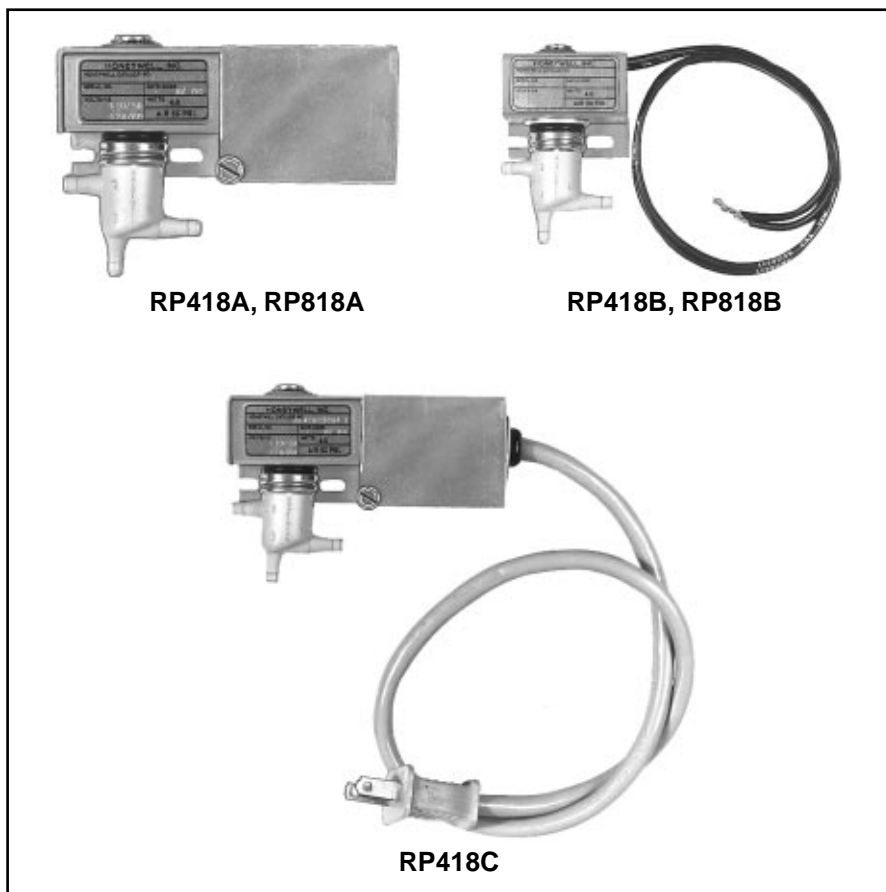


RP418A-C & RP818A, B Electric/Pneumatic Relays

SPECIFICATION DATA



FEATURES

- Usable as a diverting relay, a selector relay, or a stop and bleed relay
- Mount and operate in any position
- Directly mounts to MP516A Actuators, VP516C Valves, or PP901B and PP902D Pressure Regulators
- Available with lead wires, junction box, or plug-in electric connections

GENERAL

The RP418 and RP818 Electric/Pneumatic Relays are solenoid valves which open and close the air supply to pneumatic controls. The control input is an on/off line voltage signal to the RP418A-C and 24V ac signal to the RP818A and B.



SPECIFICATIONS

Models:

√	Model	Line Voltage	Low Voltage	Wall Mount	Panel Mount	Device Mount	Splice Box	Open Coil	Cord & Plug
	RP418A	X		X		X	X		
	RP418B	X			X			X	
	RP418C	X		X		X	X		X
	RP818A		X	X		X	X		
	RP818B		X		X			X	

Air Capacity:

0.42 scfm (200 ml/s) at 20 psi (138 kPa) supply with 1 psi (7 kPa) pressure drop

Capacity Index (Cv):

0.075

Pressure Rating:

50 psi (340 kPa) maximum air

Air Connections:

1/4-in. (6-mm) O.D. plastic tubing

Electrical Connections:

RP418/818A: Junction Box and 15 in. (380 mm) leads

RP418/818B: 15 in. (leads

RP418C: Cord and plug

Power Consumption:

12.5 VA Inrush

7.1 VA Holding

Ambient Temperature Rating:

0 to 100F (-18 to 38C). (For ambient temperature rating to 120F [49 C], refer to RP418 Installation Instructions 95-6046.)

Construction Materials:

Valox 420 plastic and corrosion-resistant metal

Approvals:

RP418A, RP818A: UL Listed, Guide Y10Z

RP418B, RP818B, RP418C: UL-recognized component, File MP1502, Vol. 11, Sec. 1

CSA recognized—File No. LR50900

Accessories:

Mounting Kit 14003638-001 for direct mounting to MP516A, VP519C, PP901, and PP902

Voltage Frequency:

RP418A:

100, 110, 120, 200, 208, 220, 240, 277, 440, 480/50.

120, 208, 240, 277, 480, 575/60

RP418B:

110, 120, 208, 220, 240, 440,

480/50

120, 208, 240, 480, 575/60

RP818A,B:

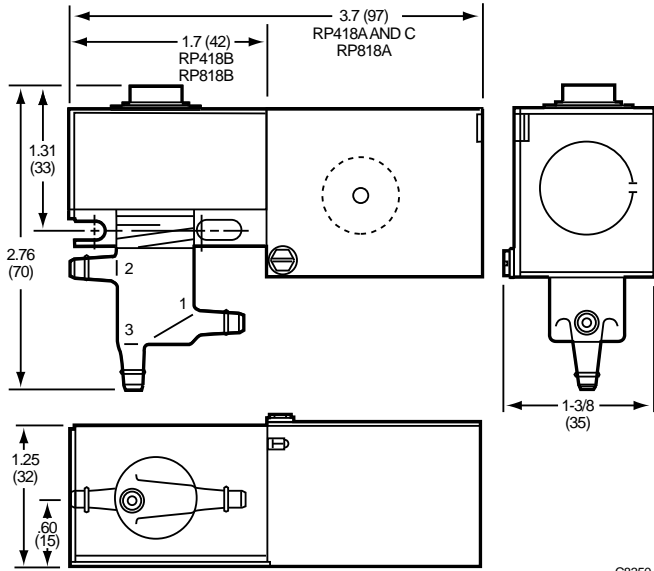
24/50, 24/60

Switching:

Deenergized: Ports 2 and 3 connected, Port 1 blocked

Energized: Ports 1 and 3 connected, Port 2 blocked

Dimensions in inches (millimeters):



C8350

By using this Honeywell literature, you agree that Honeywell will have no liability for any damages arising out of your use or modification to, the literature. You will defend and indemnify Honeywell, its affiliates and subsidiaries, from and against any liability, cost, or damages, including attorneys' fees, arising out of, or resulting from, any modification to the literature by you.

Home and Building Control

Honeywell Inc.
Honeywell Plaza
P.O. Box 524
Minneapolis MN 55408-0524

Home and Building Control

Honeywell Limited-Honeywell Limitée
155 Gordon Baker Road
North York, Ontario
M2H 2C9

Honeywell Asia Pacific Inc.

Room 3213-3225
Sun Hung Kai Centre
No. 30 Harbour Road
Wanchai
Hong Kong

Honeywell Latin American Division

Miami Lakes Headquarters
14505 Commerce Way Suite 500
Miami Lakes FL 33016

Honeywell Europe S.A.

3 Avenue du Bourget
B-1140 Brussels Belgium

Honeywell

Helping You Control Your World